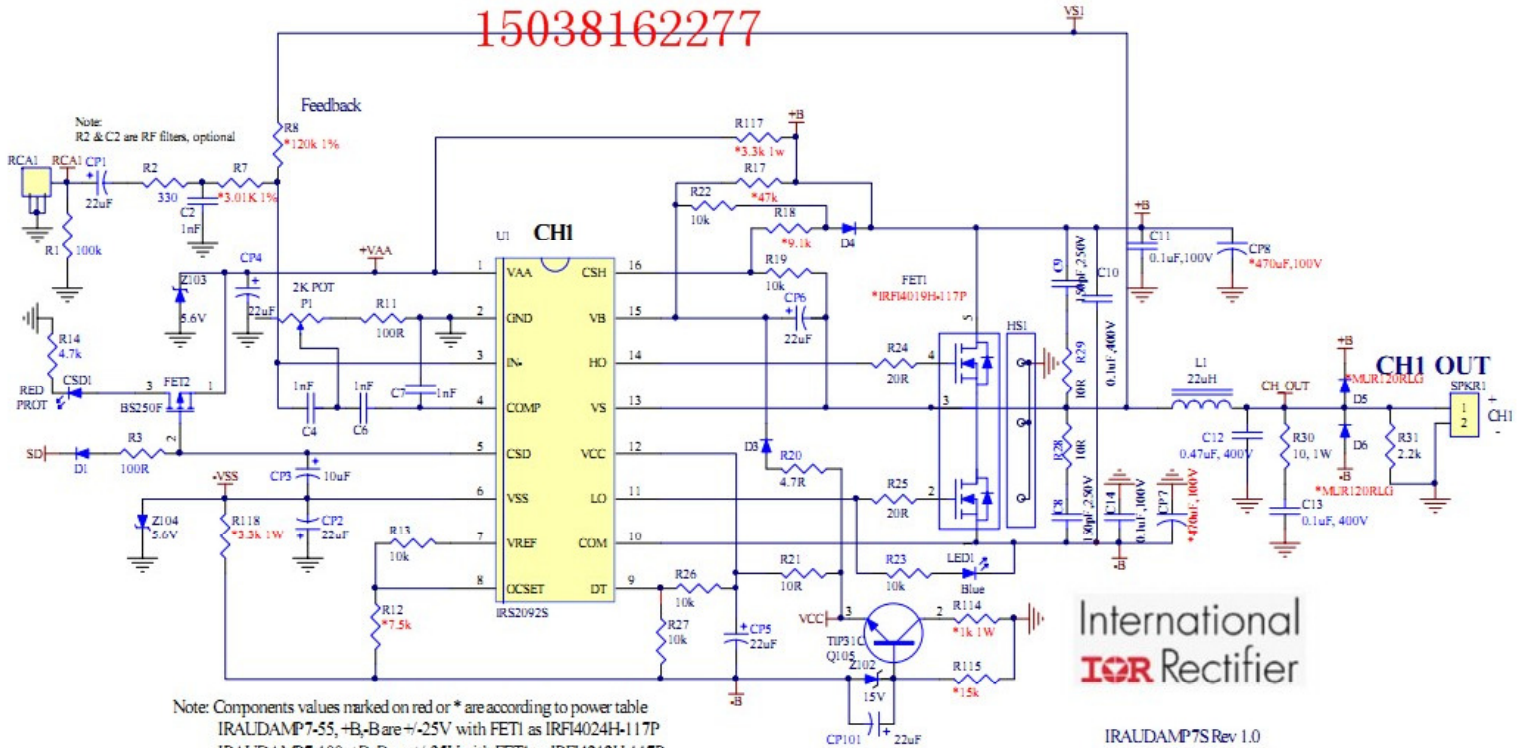


15038162277



Note: Components values marked on red or * are according to power table
 IRAUDAMP7-55, +B,-B are +/-25V with FET1 as IRF14024H-117P
 IRAUDAMP7-100, +B,-B are +/-35V with FET1 as IRF14212H-117P
 IRAUDAMP7-150, +B,-B are +/-50V with FET1 as IRF14019H-117P
 IRAUDAMP7-200, +B,-B are +/-70V with FET1 as IRF14020H-117P

International
IOR Rectifier

IRAUDAMP7S Rev.1.0