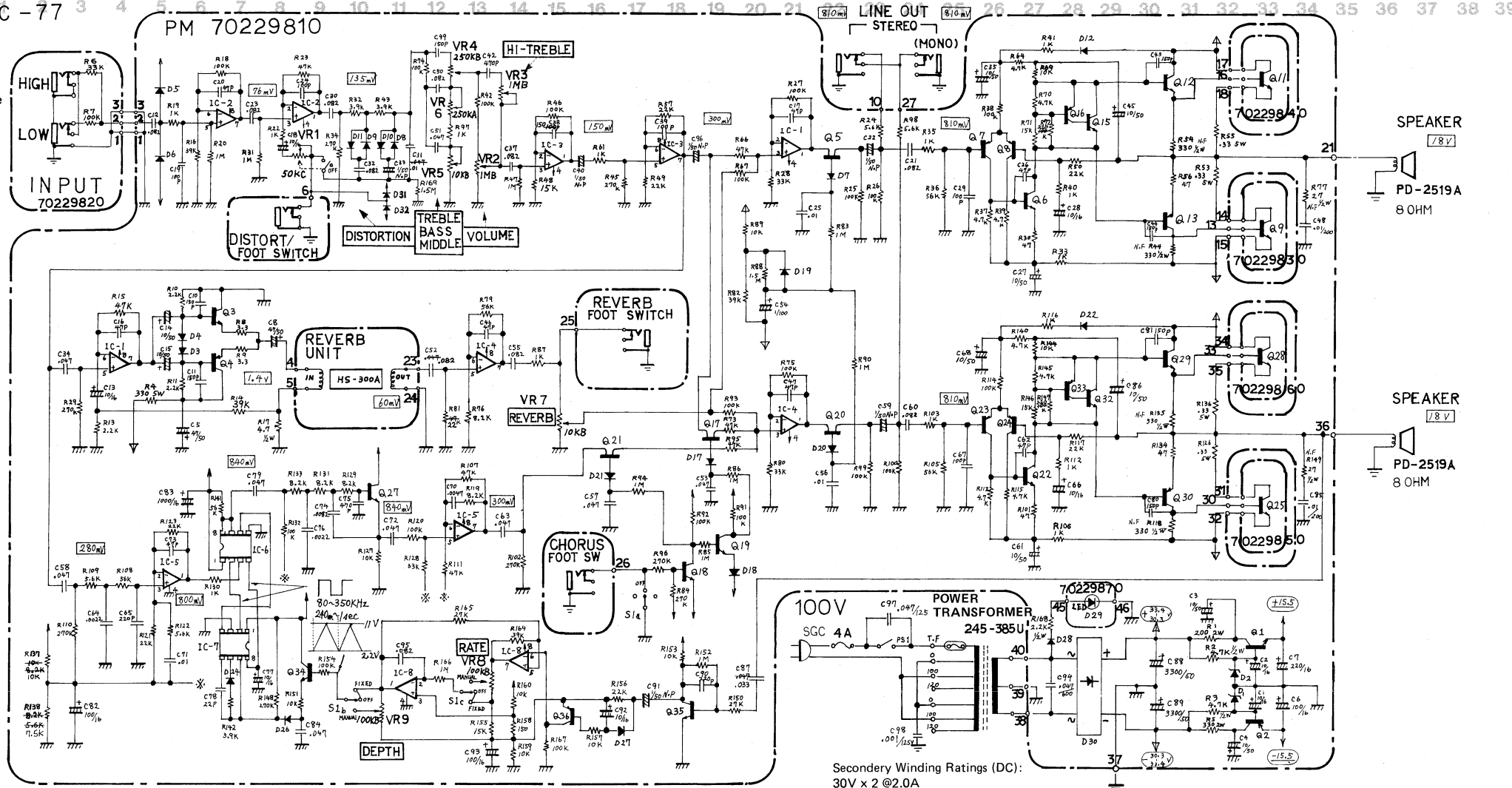


JC-77

A  
B  
C  
D  
E  
F  
G  
H  
I  
J  
K  
L  
M  
N  
O  
P  
Q  
R  
S  
T  
U



- IC1-5, 8 ----- M5218L, NJM4558S, LA6458S
- IC6 ----- MN3007
- IC7 ----- MN3101
- Q1 ----- 2SD669A
- Q2, 4, 13, 30 ----- 2SB647, 2SB649A
- Q3, 12, 29 ----- 2SD667, 2SD669A
- Q6, 22 ----- 2SD666, 2SD668, 2SC2229
- Q7, 8, 16, 23, 24, 33 ----- 2SA970GR
- Q9, 11, 25, 28 ----- 2SD716, 2SD718,
- Q15, 32 ----- 2SC2240GR
- Q18, 19, 27, 34, 35 ----- 2SC945
- Q36 ----- 2SA1015
- Q5, 17, 20, 21 ----- 2SK117

- D1, 2 ----- ZENER RD-16
- D3-11, 17, 18, 20, 21, 24, 26, 27, 31, 32 ----- 1S1588 or 1S2473, DS442
- D12, 19, 22, 28 ----- S5500 or 1N4003
- D29 ----- GL-5AR1 (LED)
- D30 ----- M4C52 (BRIDGE)

\*Signal Voltage (rms) Taken Under Conditions:

- Input ----- 1kHz sine
- Equalizer ----- BASS ----- FCW
- MID ----- FCW
- TREBLE ----- FCW
- HI-TREBLE ----- FCW
- Distortion ----- FCCW
- Reverb ----- FCCW

