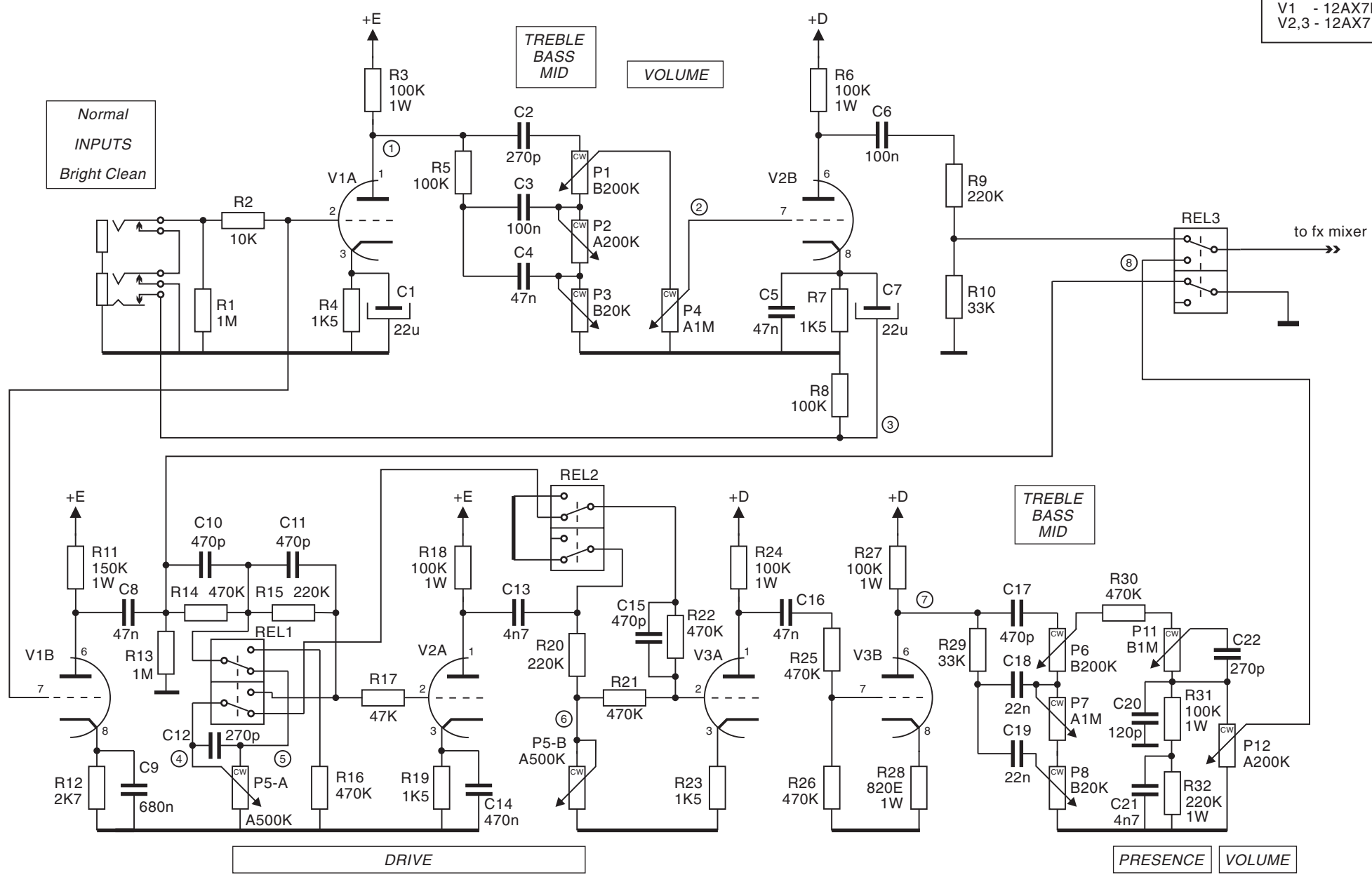
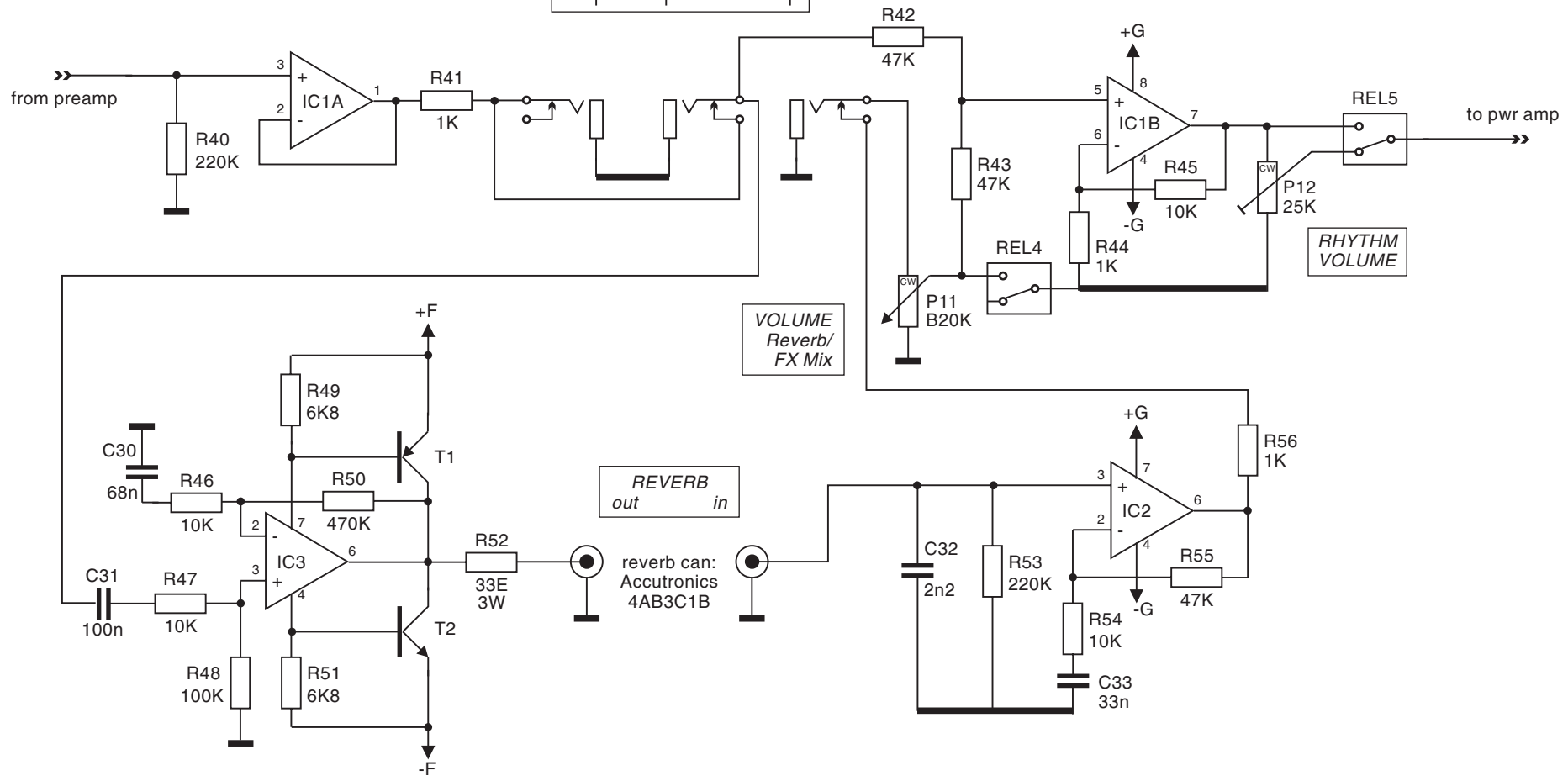
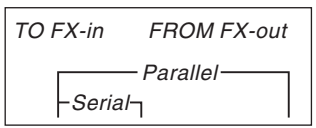


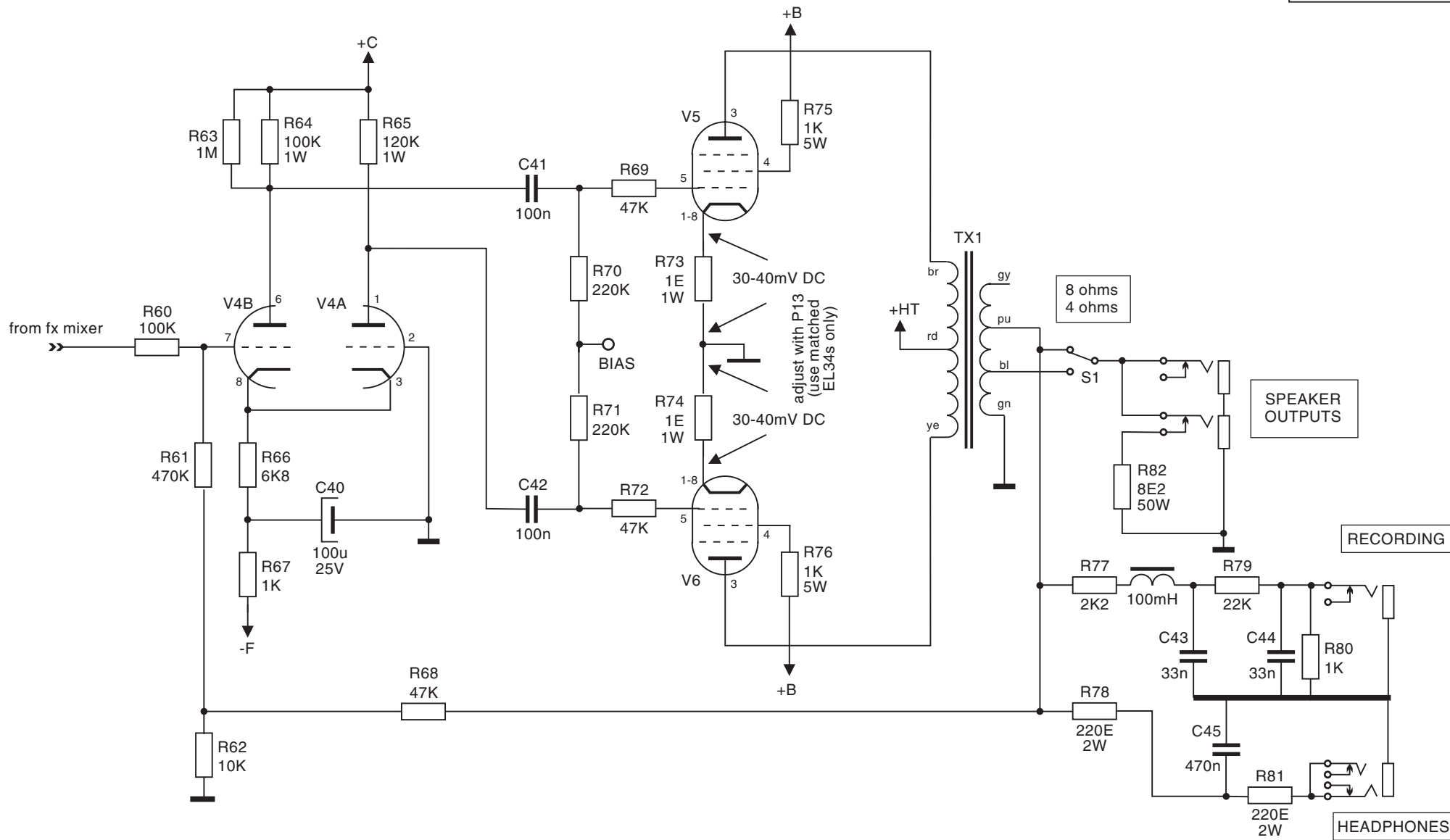
V1 - 12AX7LM  
V2,3 - 12AX7



- IC1 - OP249
- IC2 - TL071
- IC3 - TL061
- T1 - BD136
- T2 - BD136



V4 - 12AX7  
 V5,6 - EL34  
 TX1 - VDV-G50



**KOCH**  
**GUITAR ELECTRONICS**  
 Amersfoort  
 The Netherlands

© Copyright 2005, Koch Guitar Electronics

DRAWN:  
 Dolf Koch

DATE:  
 25-11-2004

**TWINTONE II**

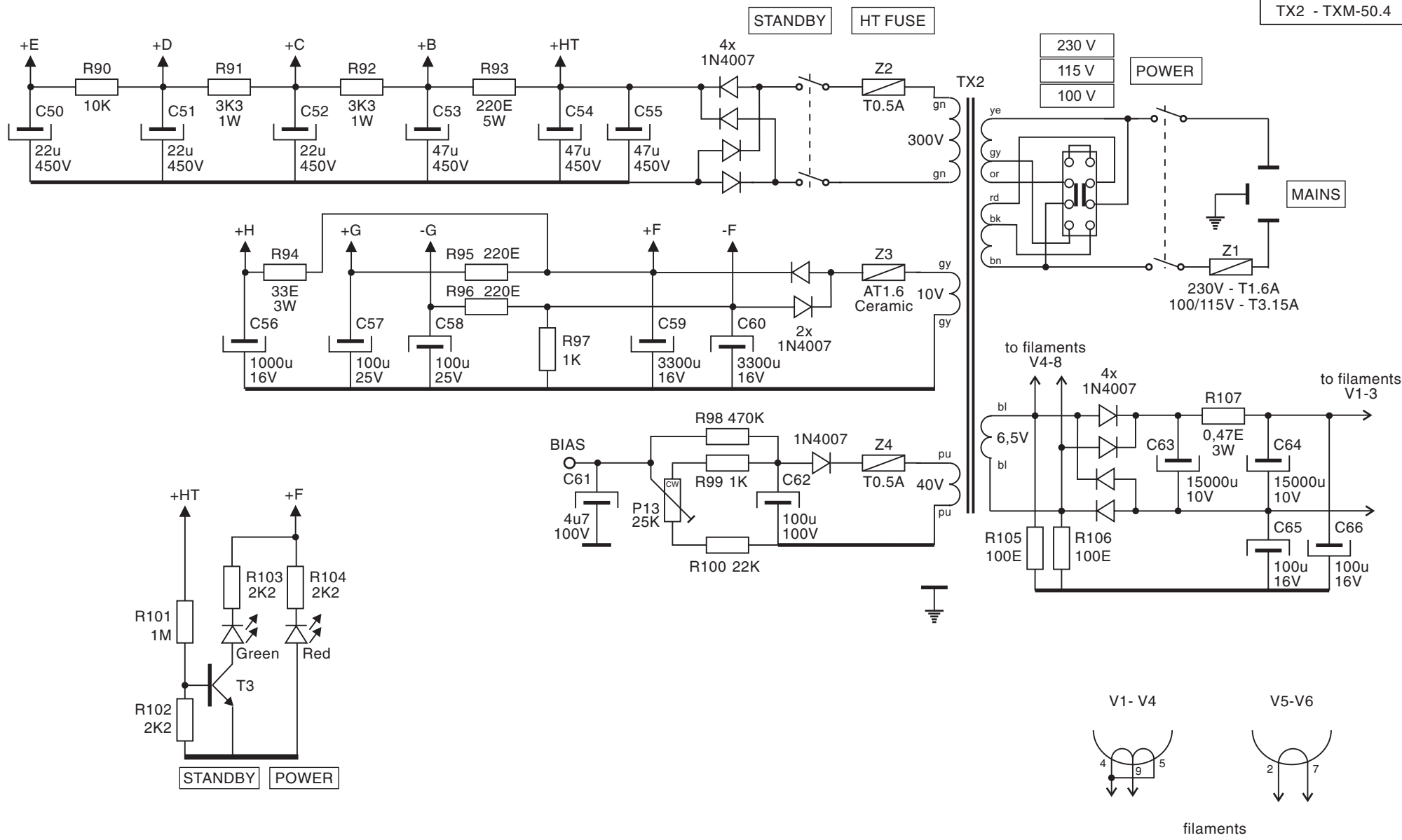
MARK  
 1.0

SERIAL NRS:  
 x1434 - x....

POWER AMP

PAGE:  
 3 of 5

T3 - BC547  
TX2 - TXM-50.4



**KOCH**  
**GUITAR ELECTRONICS**  
Amersfoort  
The Netherlands

© Copyright 2005, Koch Guitar Electronics

DRAWN:  
Dolf Koch

DATE:  
25-11-2004

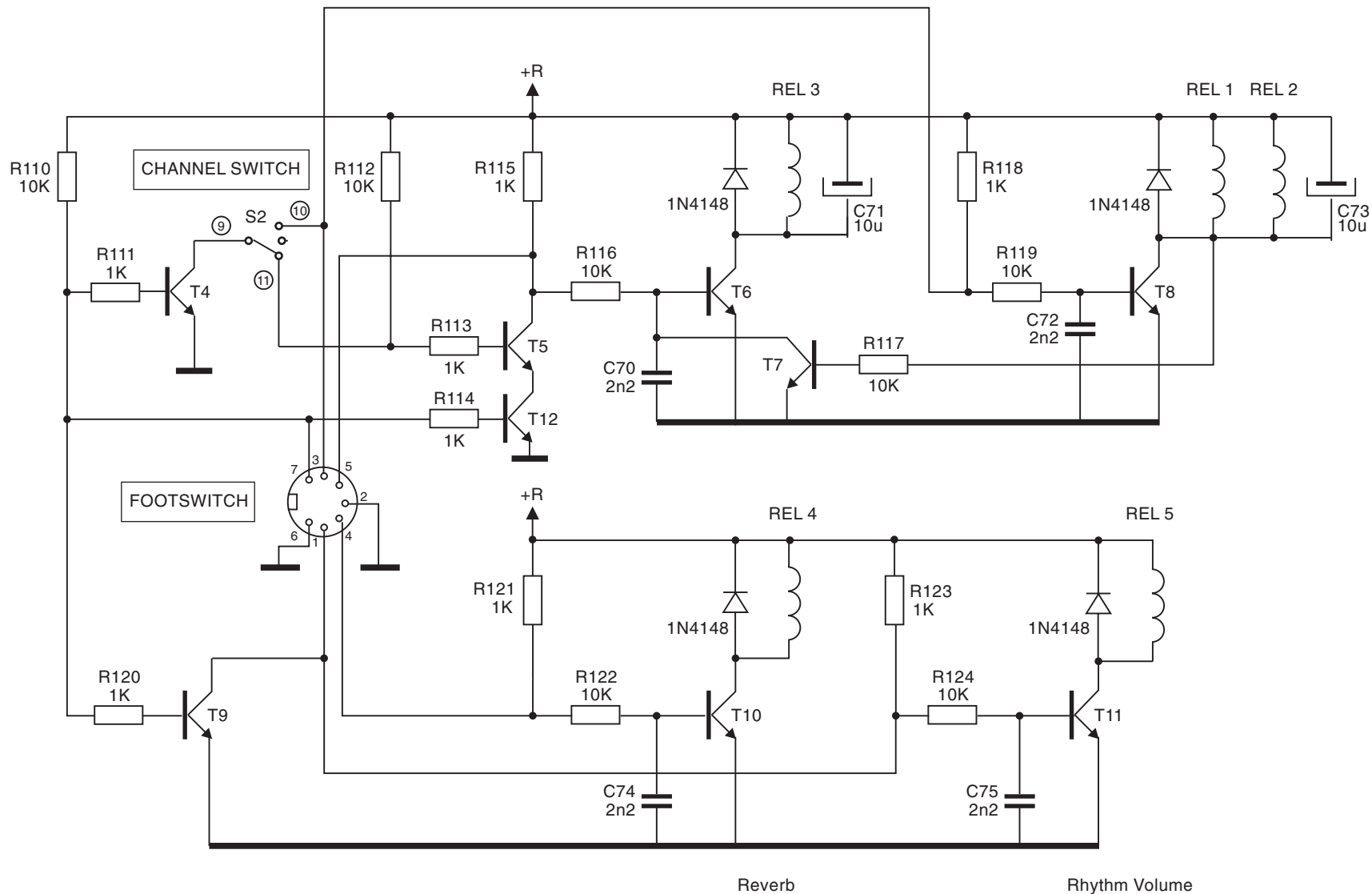
**TWINTONE II**

MARK  
1.0

SERIAL NRS:  
x1434 - x....

POWER SUPPLY

PAGE:  
4 of 5



**KOCH**  
**GUITAR ELECTRONICS**  
 Amersfoort  
 The Netherlands

© Copyright 2005, Koch Guitar Electronics

DRAWN:  
 Dolf Koch

DATE:  
 25-11-2004

**TWINTONE II**

MARK  
 1.0

SERIAL NRS:  
 x1434 - x....

LOGIC

PAGE:  
 5 of 5