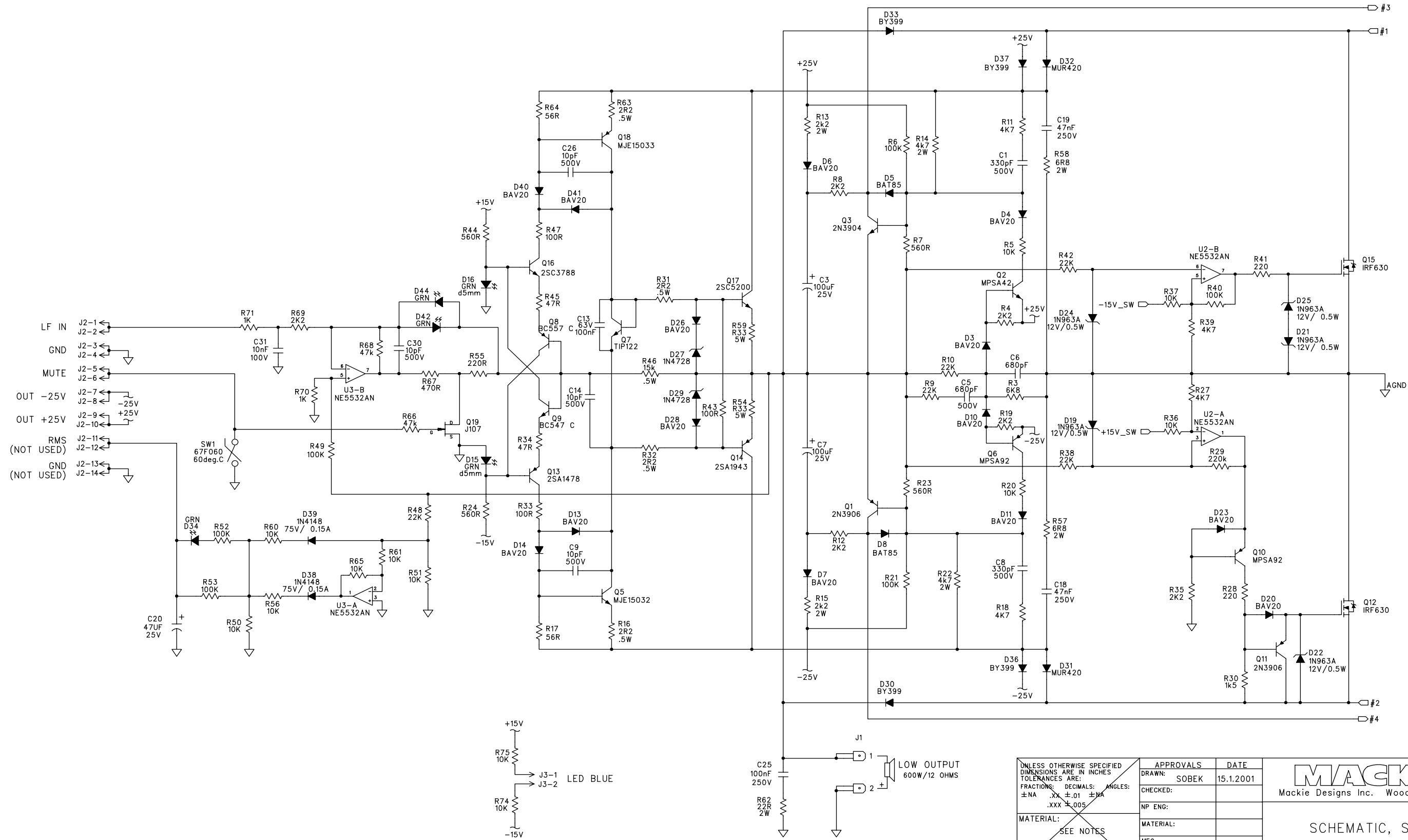


ECO#	REV:	DESCRIPTION	REV. BY:	APP. BY:	DATE
01	01	PROTOTYPE RELEASE 01	SOBEK		15.1.2001
02	02	PROTOTYPE RELEASE 02	SOBEK		26.2.2001
03	03	PRODUCTION RELEASE	SOBEK		4.4.2001

D
C
B
A



APPROVALS	DATE
DRAWN: SOBEK	15.1.2001
CHECKED:	
NP ENG:	
MATERIAL:	
FINISH:	
DO NOT SCALE DRAWING	

MACKIE
Mackie Designs Inc. Woodinville, Wa.

SCHEMATIC, SRS1501

SIZE: A3	SCALE: NONE	DWG. NO. MN 042 130	REV. 03
DWG FILE: MN 042 130-03 label 03.sch		Label 03	SHEET 1 OF 2

ECO#	REV:	DESCRIPTION	REV. BY:	APP. BY:	DATE
01		PROTOTYPE RELEASE 01	SOBEK		15.1.2001
02		PROTOTYPE RELEASE 02	SOBEK		26.2.2001
03		PRODUCTION RELEASE	SOBEK		4.4.2001

D

D

C

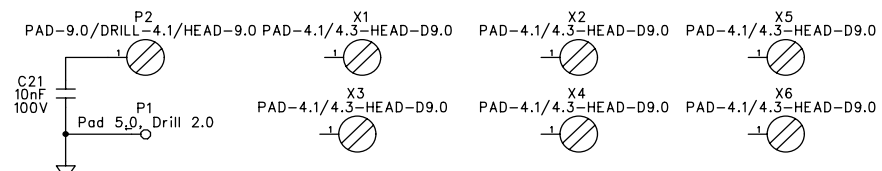
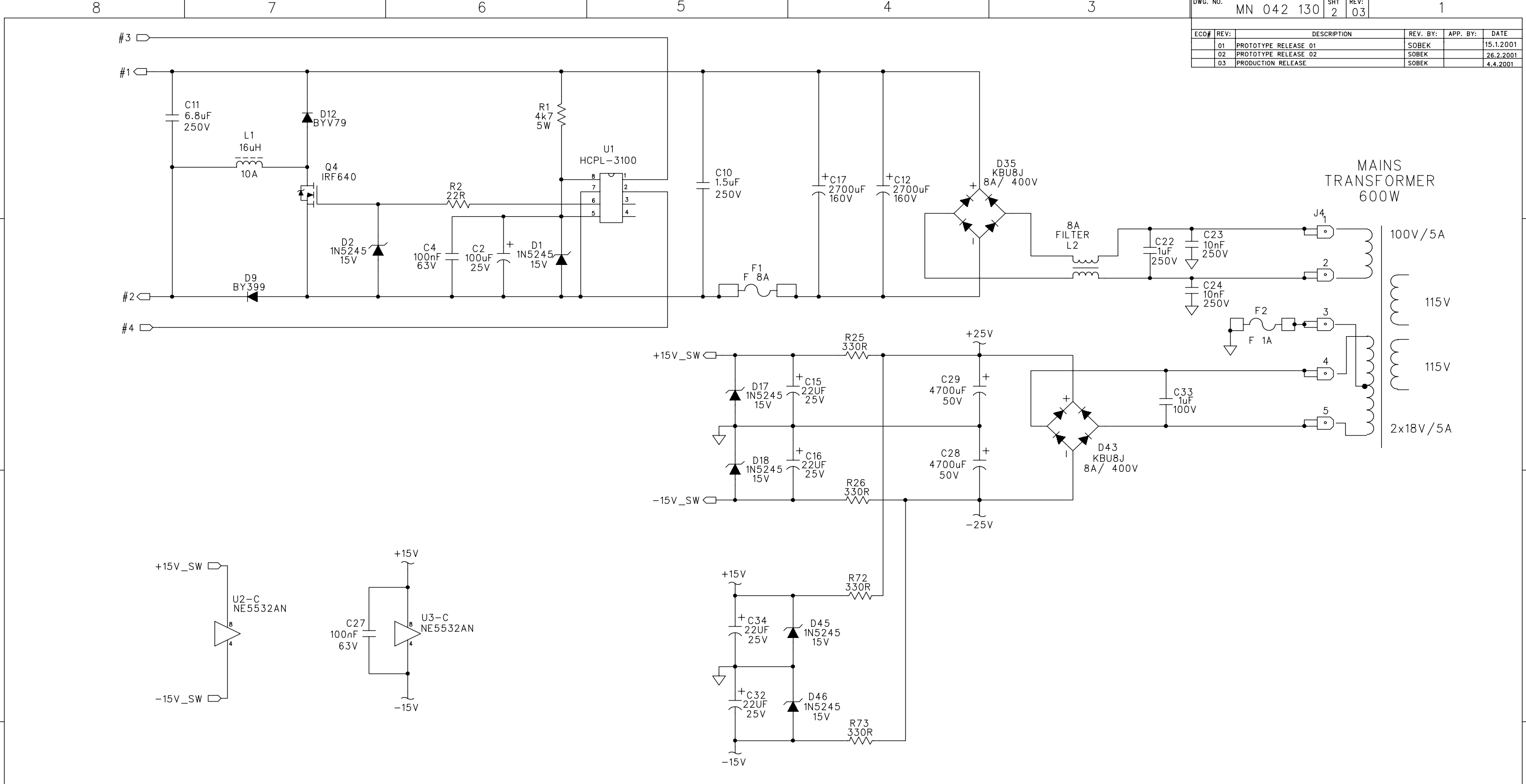
C

B

B

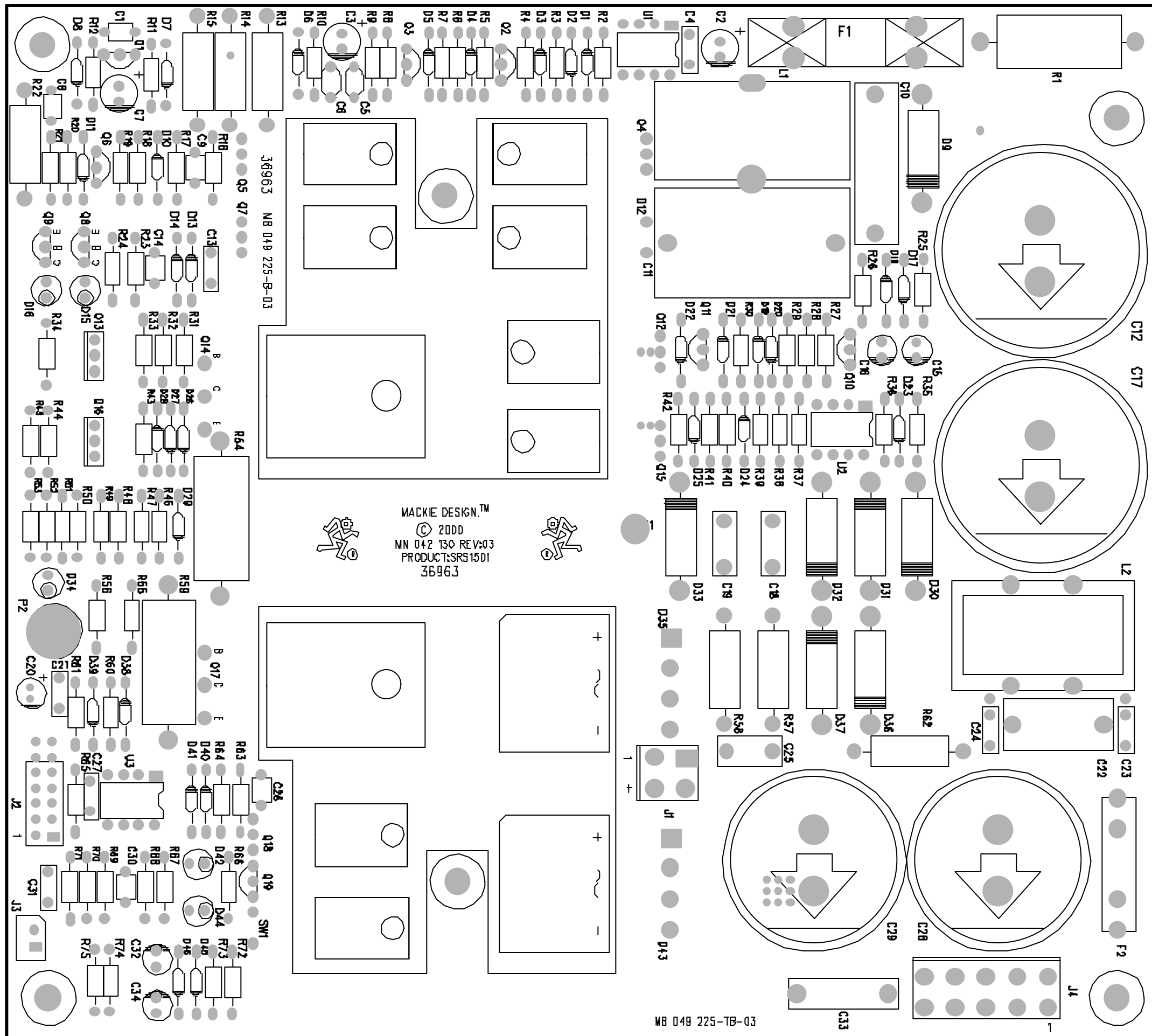
A

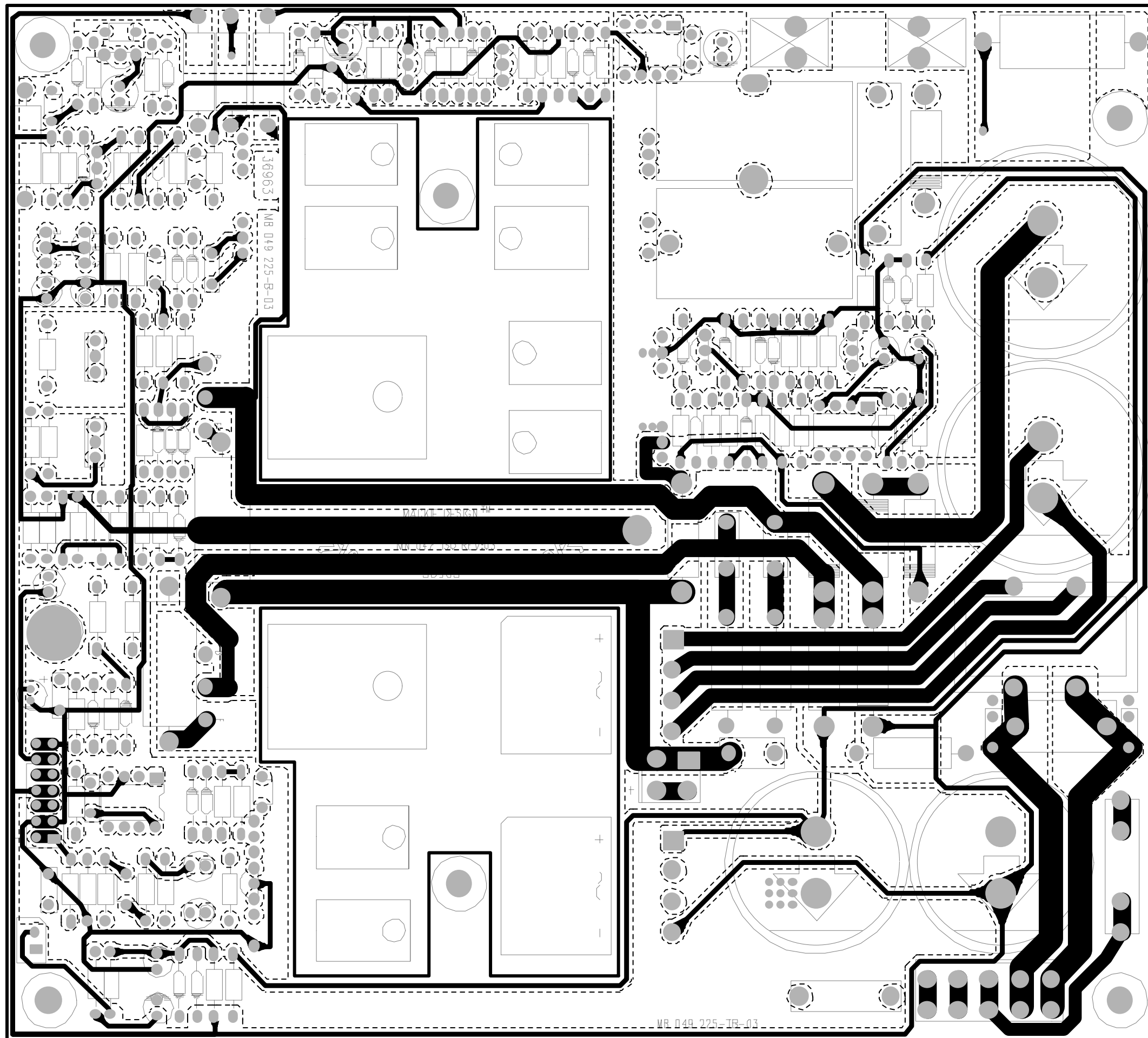
A



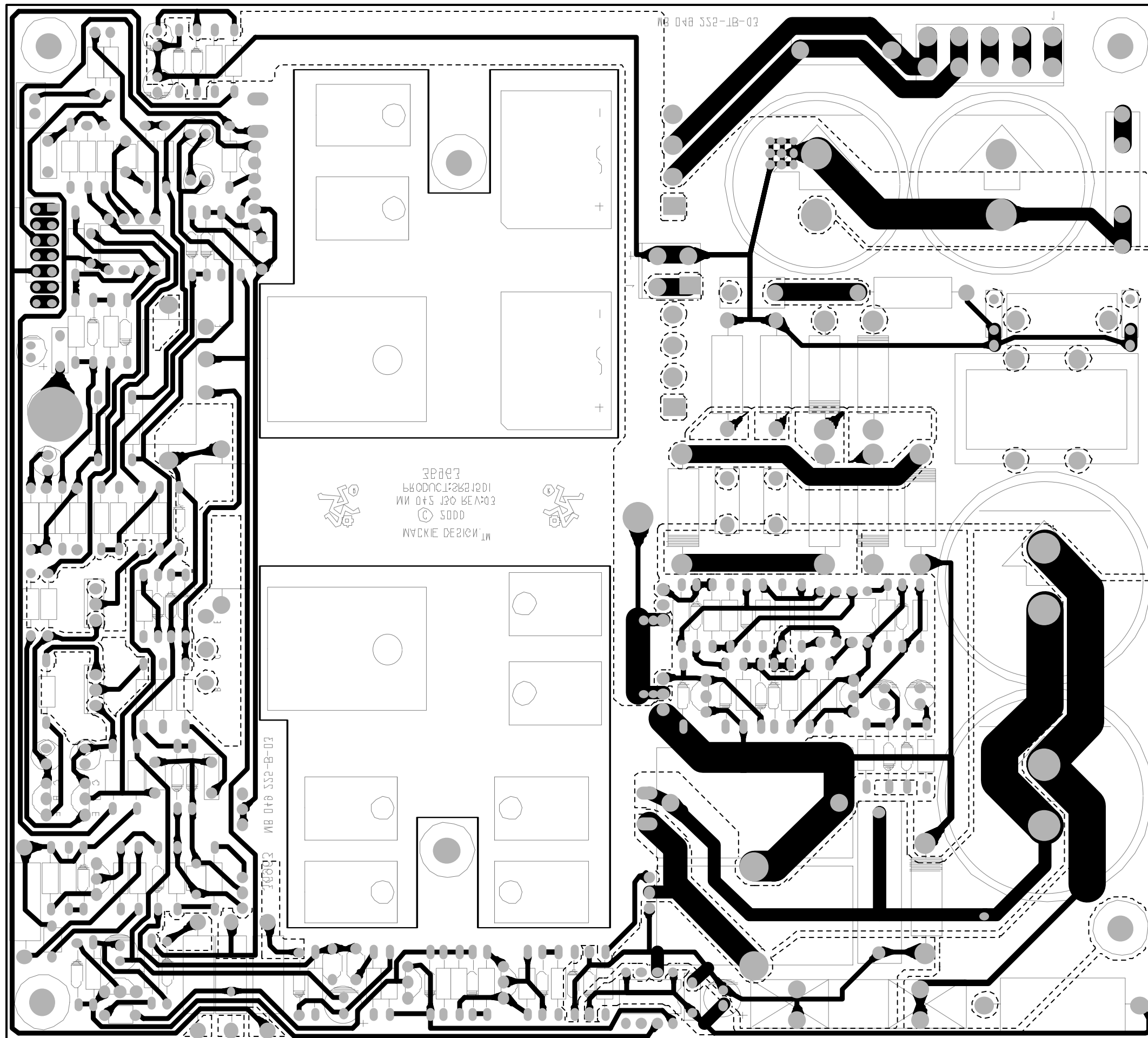
UNLESS OTHERWISE SPECIFIED DIMENSIONS ARE IN INCHES TOLERANCES ARE:		APPROVALS	DATE
FRACTIONS:	DECIMALS:	DRAWN: SOBEK	15.1.2001
±NA	.XX ±.01 ±MA	CHECKED:	
	.XXX ±.005	NP ENG:	
MATERIAL:	SEE NOTES	MATERIAL:	
FINISH:	SEE NOTES	MFG:	
		MFG ENG:	
DO NOT SCALE DRAWING		ISSUED:	

 Mackie Designs Inc. Woodinville, Wa.		SCHEMATIC, SRS1501	
		SIZE: A3	SCALE: NONE
DWG FILE: MN 042 130-03 label 03.sch		Label 03	SHEET 2 OF 2





Top Surface (dotted lines are the copper pour boundary)

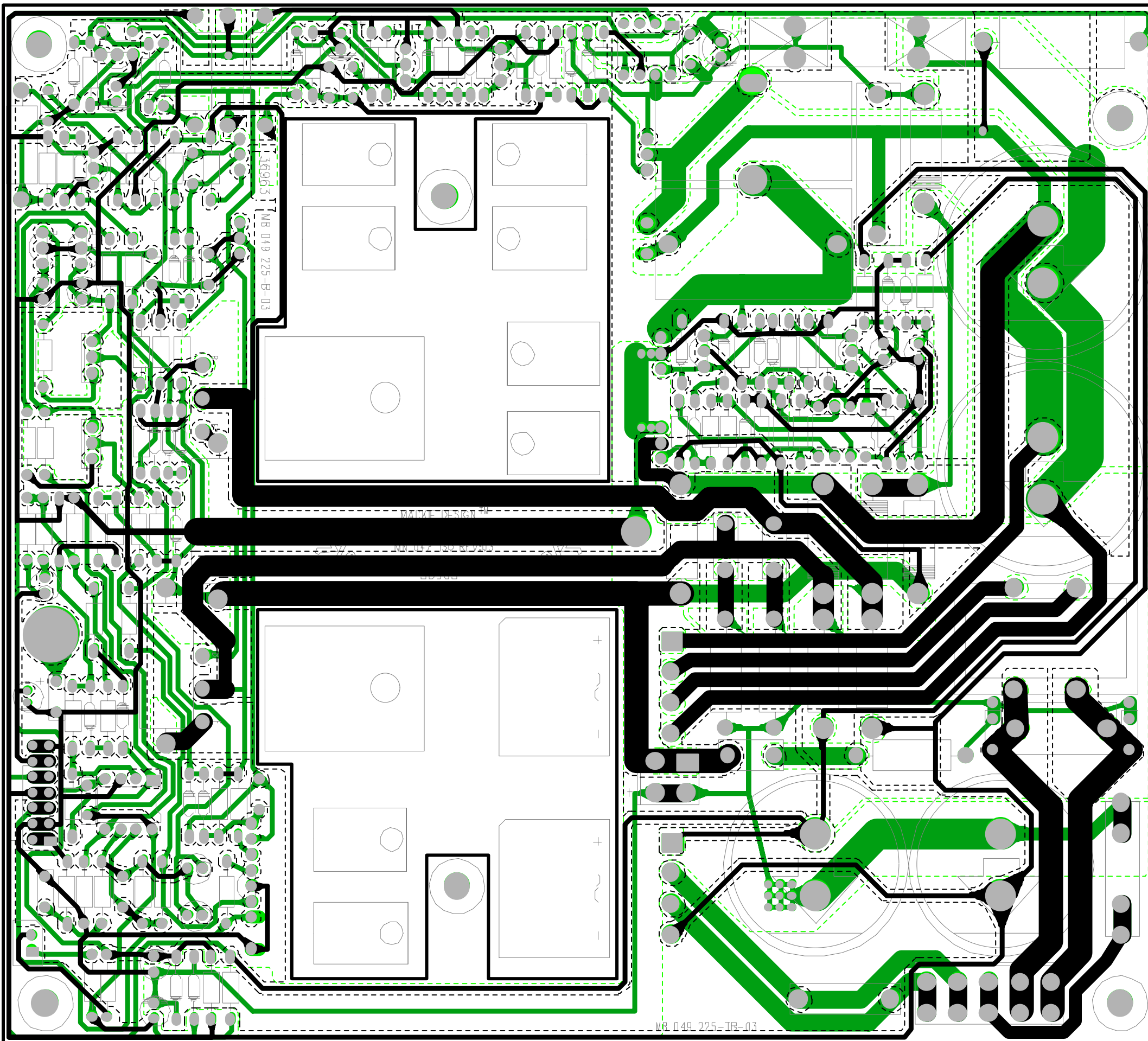


WB 048 SS2-1B-02

WB 048 SS2-B-02

38883
 680001:2821201
 M1 0+5 J30 BEL:02
 5000
 MACKIE DESIGN, INC.

Bottom Surface (dotted lines are the copper pour boundary)



Top Surface has grey pads and black lines (dotted lines are the copper pour boundary)

Bottom Surface has green pads and lines (dotted lines are the copper pour boundary)