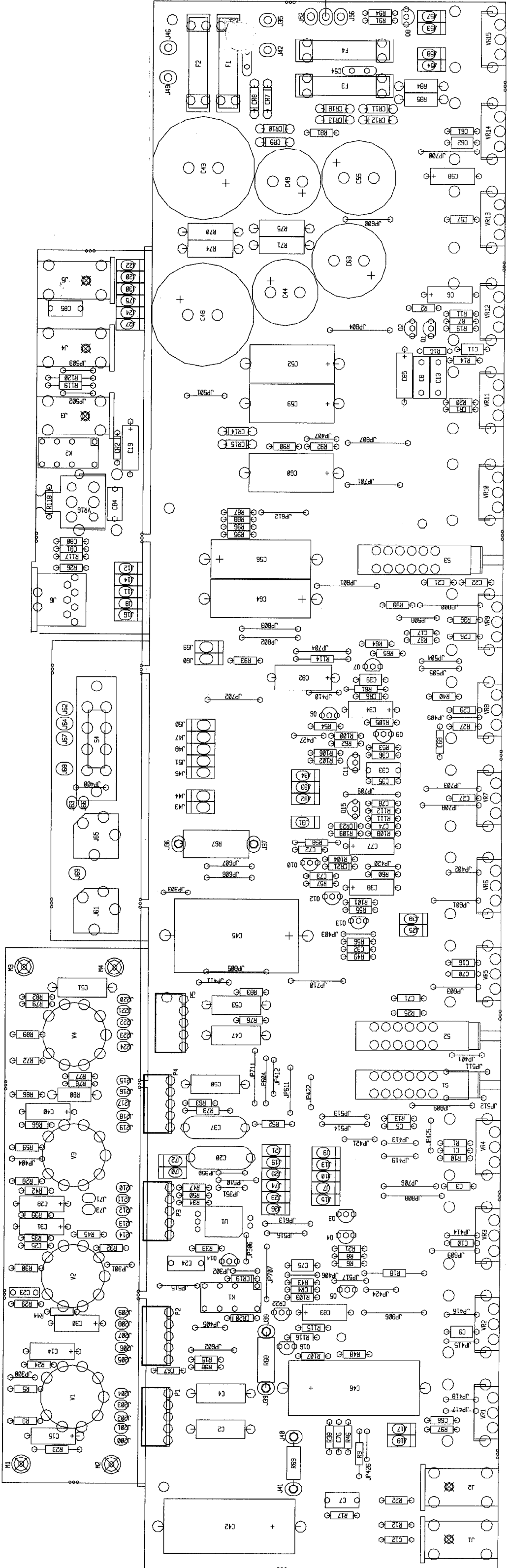
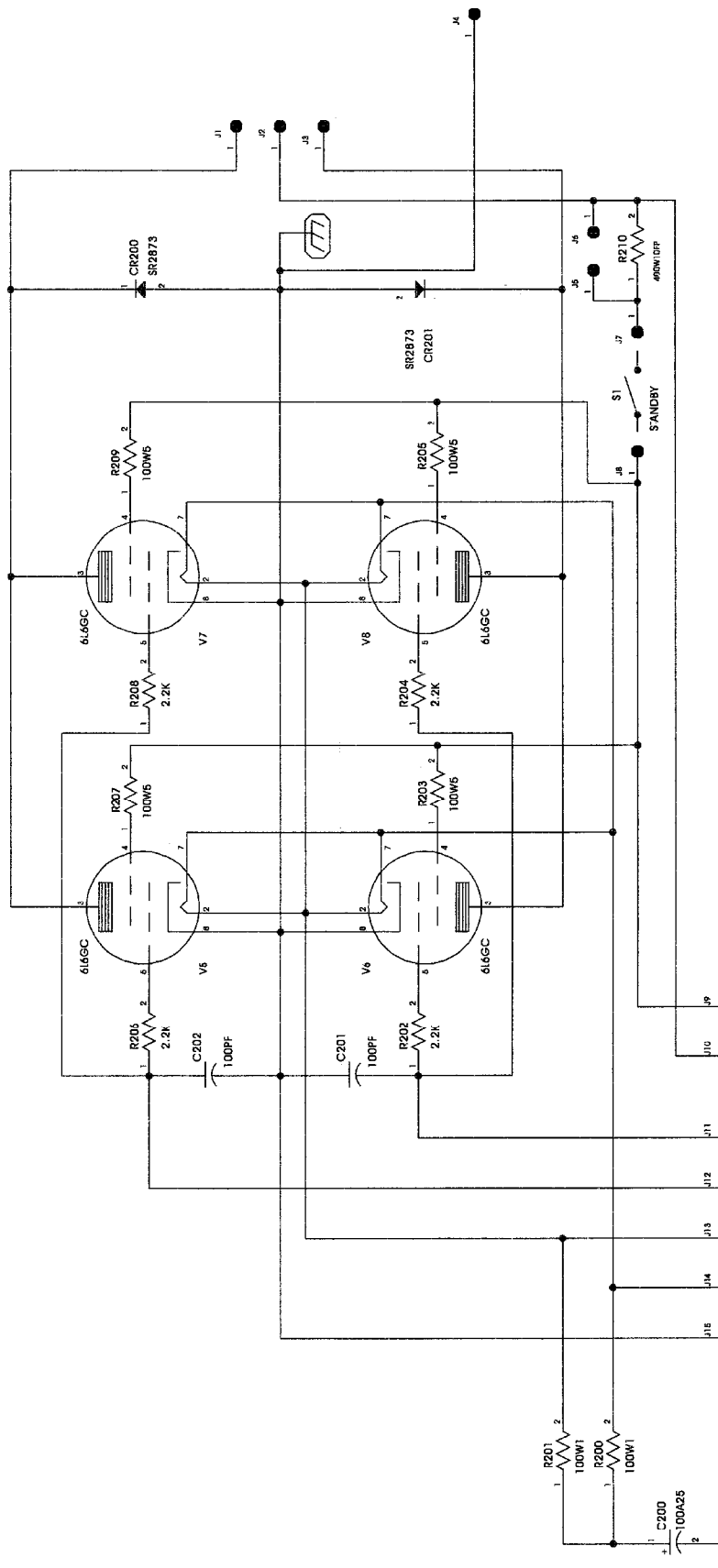


NOTICE: THIS CIRCUIT IS PROTECTED BY U.S. PATENT NO. 5,197,180 OWNED BY PEASEY ELECTRONICS CORPORATION. USE OF THIS CIRCUIT WITHOUT EXPRESS WRITTEN AUTHORITY FROM PEASEY IS STRICTLY FORBIDDEN. VIOLATORS WILL BE PROSECUTED TO THE FULLEST EXTENT ALLOWED UNDER U.S. PATENT LAWS.

TITLE		PEASEY ELECTRONICS CORP.	
SIZE		215 A STREET	
DRAWN		MERRIDEN, MASS 01901-9981	
REV	NO	REV	NO
1	1	1	1
DATE		13-MAR-95	
SHEET		1 OF 1	







NOTICE: THIS CIRCUITRY IS PROTECTED BY  
 U.S. PATENT NO. # 5,197,102 OWNED  
 BY PEAVEY ELECTRONICS CORPORATION.  
 USE OR COPYING WITHOUT EXPRESS WRITTEN  
 AUTHORITY FROM PEAVEY IS STRICTLY  
 FORBIDDEN AND VIOLATORS WILL BE  
 PROSECUTED TO THE FULLEST EXTENT  
 ALLOWED UNDER U.S. PATENT LAWS.

PEAVEY ELECTRONICS CORP. 711 A STREET MERIDIAN, MISSISSIPPI 39301	
TITLE DUEL 212 POWER BOARD 99872030	
SIZE B	CODE NUMBER 81501581
PRINT DATE 16-FEB-95	SHEET 1 OF 1

