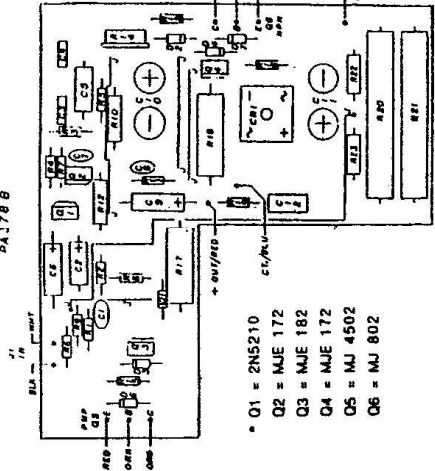
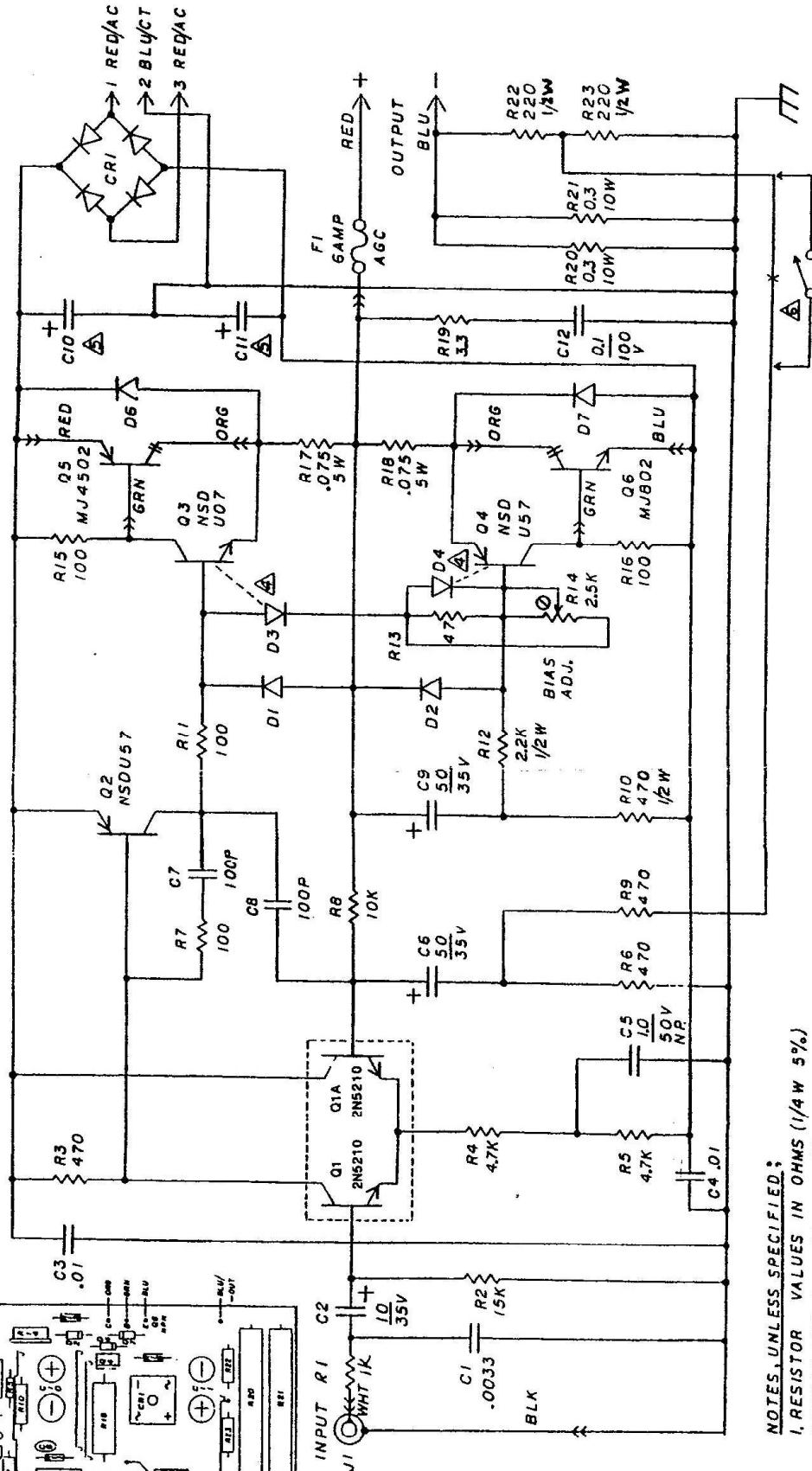


SUBCIRCUIT  
PA378B



- Q1 = 2N5210
- Q2 = MJE 172
- Q3 = MJE 182
- Q4 = MJE 172
- Q5 = MJ 4502
- Q6 = MJ 802



- NOTES, UNLESS SPECIFIED:**
1. RESISTOR VALUES IN OHMS (1/4W 5%)
  2. CAPACITOR VALUES IN UFD.
  3. DIODES D1 THRU D7 ARE IN4004
  4. D3, D4 MUST CONTACT Q10 THERMALLY
  5. 8200UF IN 120W AMP/4000UF IN 60-80W AMPS
  6. BREAK AND ADD SWITCH FOR PA MODELS
  7. MPA, PA-60, PA-120: delete R22 & R23
  8. Sidekick: change R6 to 220
- \* Q1/D1A represents Q1 replacing PT11583  
 NOTES: Q2 & Q4 - MJE172 replaces NSDU57  
 Q3 - MJE182 replaces NSDU07

POLYTRON MUSICAL INSTRUMENTS INC.  
**POWER AMP PA378B**

|               |           |      |
|---------------|-----------|------|
| REV. FROM NO. | ORIG. NO. | DATE |
| C             |           |      |

SCALE SHEET