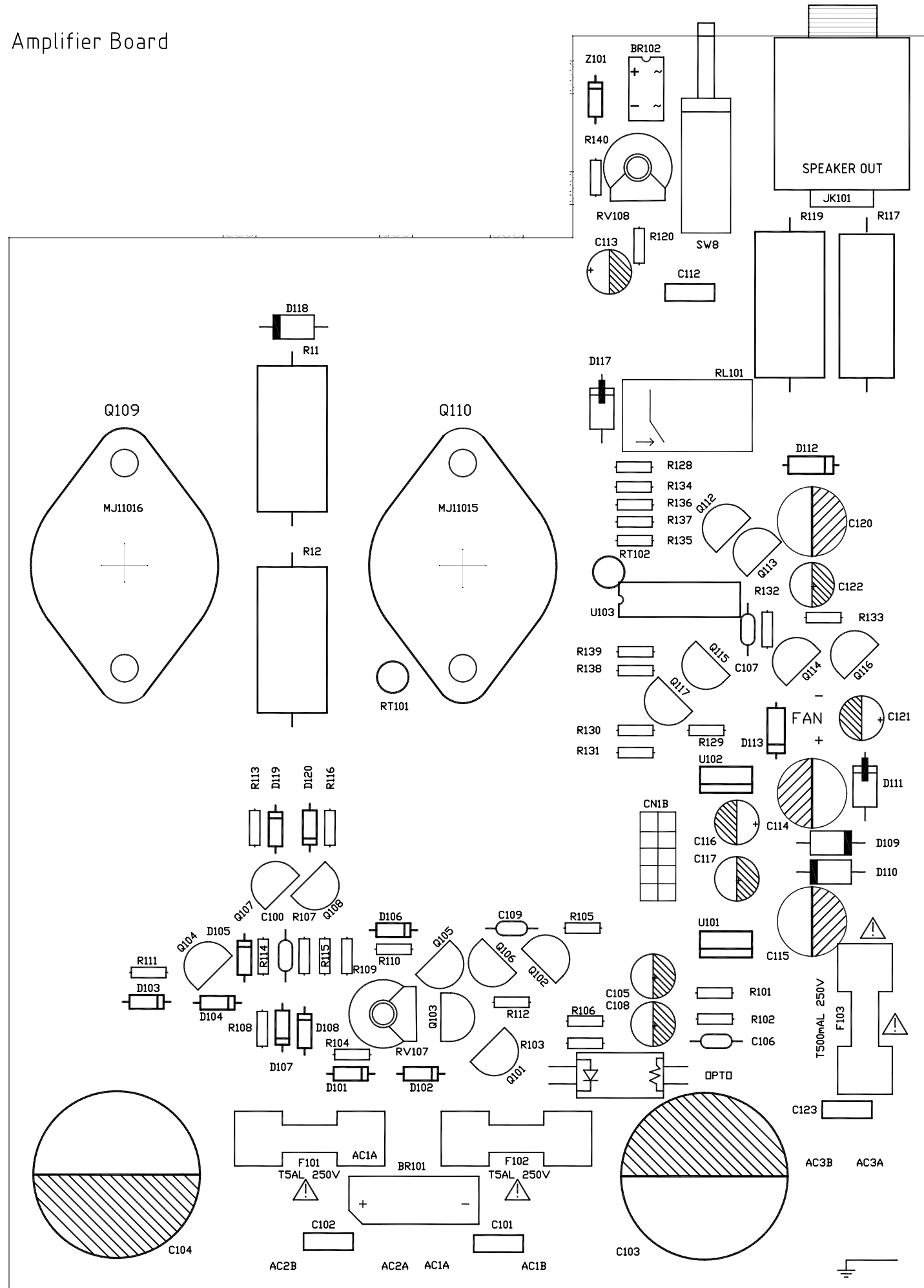


Amplifier Board



Warwick[®]
Basses, Amps & Rock'n Roll.

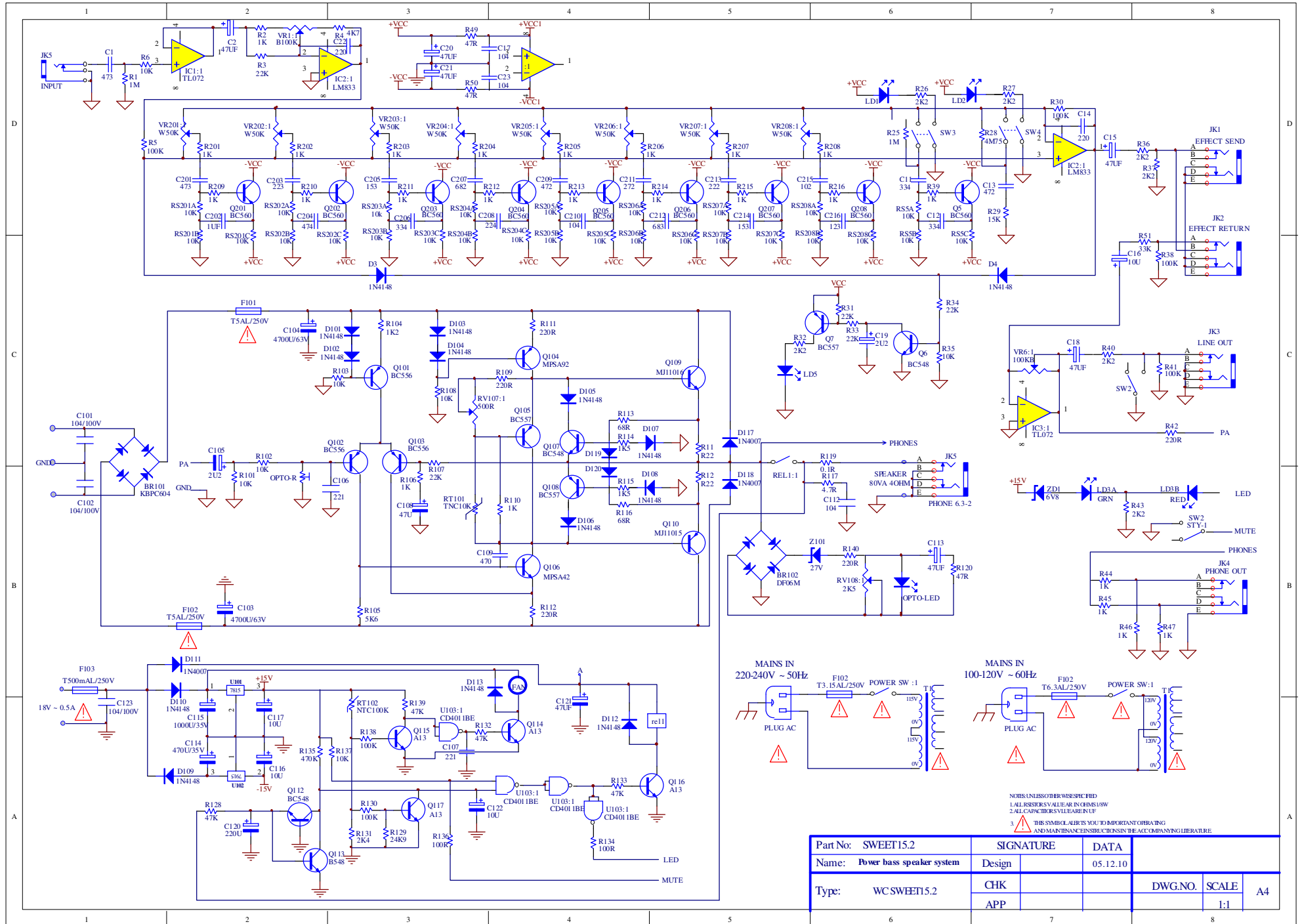
Warwick GmbH & Co Music Equipment KG
 Gewerbegebiet Wohlhausen
 D-08258 Markneukirchen
 Tel. +49 (0) 37422 555 0
 Fax. +49 (0) 37422 555 99

updated

24.01.2007

SWEET 15.2

Amplifier



NOTES UNLESS OTHERWISE SPECIFIED
 1. ALL RESISTOR VALUES ARE IN OHMS UNLESS
 2. ALL CAPACITOR VALUES ARE IN μF
 3. THIS SYMBOL ALERTS YOU TO IMPORTANT CIRCUITING
 AND MANUFACTURING INSTRUCTIONS IN THE COMPANY'S LITERATURE.

Part No:	SWEET15.2	SIGNATURE	DATA
Name:	Power bass speaker system	Design	05.12.10
Type:	WC SWEET15.2	CHK	
		APP	
		DWG.NO.	SCALE
			1:1
		A4	