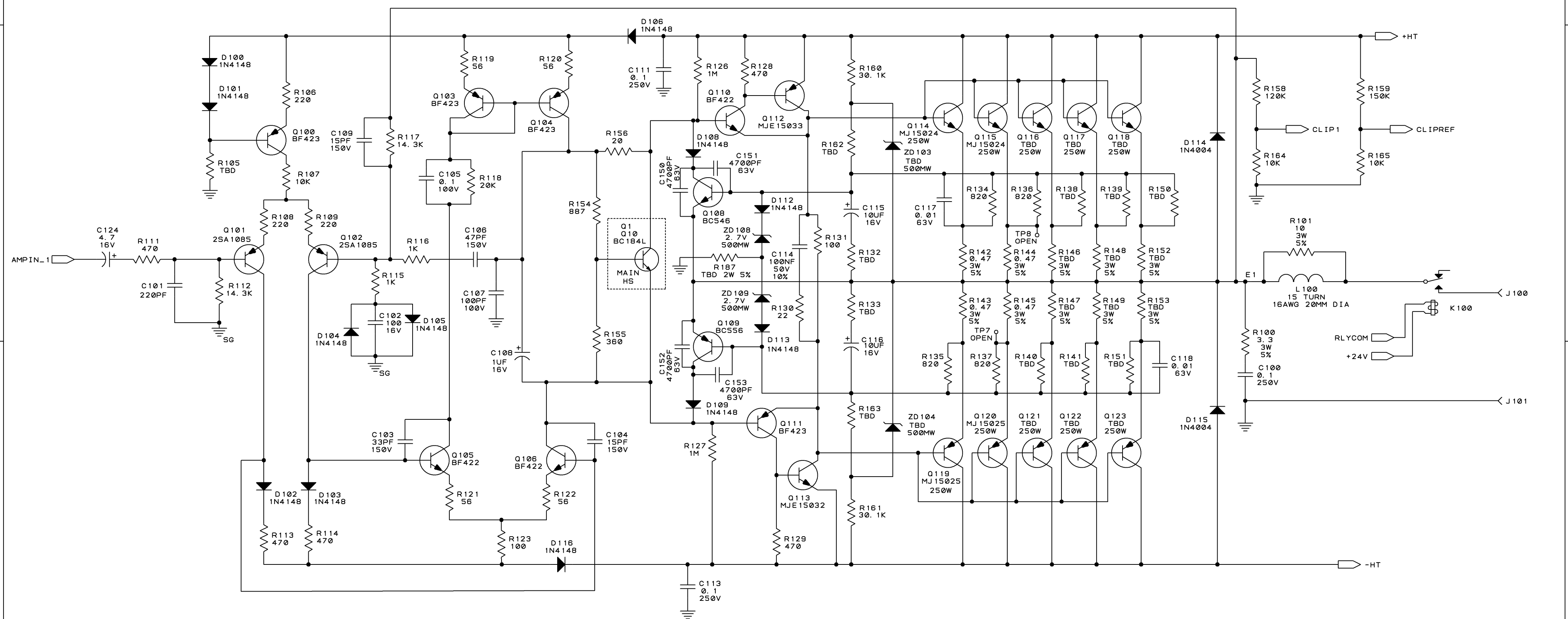


REVISION HISTORY							
E. C. N.	ZONE	REV	DESCRIPTION	DATE	APPROVED		
					DWN	CM	PE
		1	SEE 138373-7_1.XLS FOR REVISION HISTORY	4-21-06	JFL	N/A	CC
		2	SEE 138373-7_2.XLS FOR REVISION HISTORY	5-18-06	JFL	N/A	CC

### CHANNEL 1



#### AMP COMPONENT VALUES

AMP	R5/R6 R28/R29	R105/R205	R132/R232 R133/R233	R162/R262 R163/R263	R187/R287	ZD103/ZD203 ZD104/ZD204	Q116/Q216	Q117/Q217	Q118/Q218	Q121/Q221	Q122/Q222	Q123/Q223	R138/R238 R140/R240	R150/R250 R151/R251	R139/R239 R141/R241	R146/R246 R147/R247	R152/R252 R153/R253	R148/R248 R149/R249	R21	R23	R16	R33
802	32.4K	100K	56.0 OHM	24.3K	3.9K 2W 5%	75V	MJ15024	MJ15024	MJ15024	MJ15025	MJ15025	MJ15025	820 OHM	820 OHM	820 OHM	0.47 3W 5%	0.47 3W 5%	0.47 3W 5%	39.0 5W 5%	15.0 5W 5%	698K	1.82K
602	28.0K	47.0K	75.0 OHM	20.0K	3.3K 1W 5%	47V 500MW	OPEN	MJ15024	MJ15024	OPEN	OPEN	OPEN	820 OHM	820 OHM	820 OHM	0.47 3W 5%	0.47 3W 5%	0.47 3W 5%	39.0 5W 5%	15.0 5W 5%	665K	2.61K
402	24.3K	47.0K	120 OHM	30.1K	2.7K 1W 5%	47V 500MW	OPEN	MJ15024	OPEN	OPEN	MJ15025	OPEN	OPEN	OPEN	820 OHM	OPEN	OPEN	0.47 3W 5%	39.0 5W 5%	15.0 5W 5%	732K	2.49K
202	20.0K	33.0K	150 OHM	47.0K	2.7K 1W 5%	47V 500MW	OPEN	OPEN	OPEN	OPEN	OPEN	OPEN	OPEN	OPEN	OPEN	OPEN	OPEN	OPEN	82.0 5W 5%	30.0 2W 5%	665K	1.0K

#### NOTES:

- SEE 138373-7\_2.XLS FOR DATA & REVS
- 1. ALL RESISTORS ARE IN OHMS, 0.25W, 1% UNLESS OTHERWISE SPECIFIED.
- 2. ALL CAPACITORS ARE IN MICROFARADS UNLESS OTHERWISE SPECIFIED.

UNCONTROLLED  
UNLESS OTHERWISE MARKED IN RED INK BY CM AS A CONTROLLED COPY. COPIES OF THESE DOCUMENTS INCLUDING ASSOCIATED ELECTRONIC REPRODUCTIONS ARE FOR REFERENCE ONLY. VERIFY LATEST REVISION PRIOR TO USE.

THESE DRAWINGS AND SPECIFICATIONS ARE THE PROPERTY OF CROWN INTERNATIONAL, INC. AND SHALL NOT BE REPRODUCED, COPIED, OR USED AS THE BASIS FOR THE MANUFACTURE OR SALE OF APPARATUS OR DEVICES WITHOUT PERMISSION.

DISTRIBUTION	DWN	JFL	4-21-06
FILENAME	PE	CC	4-21-06
TOLERANCE UNLESS OTHERWISE SPECIFIED			
DO NOT SCALE DRAWING			

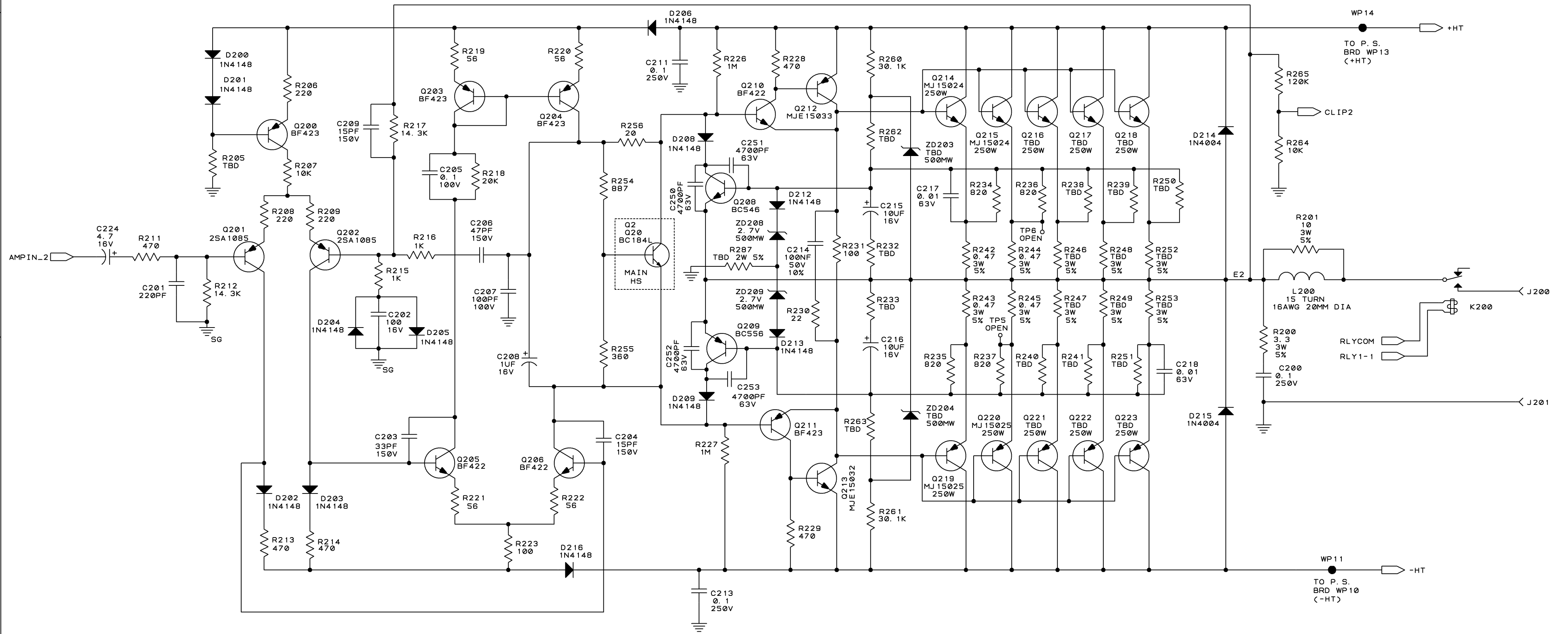
**CROWN INTERNATIONAL, INC.**  
1718 W. MISHAWAKA RD. ELKHART IN, 46517  
PHONE 574-294-8000 WWW.CROWNAUDIO.COM

TITLE: PWA, XLS MAIN

SIZE: C DWG NO: 138373-7 REV: 2

SCALE: NONE PROJ NO: 100008 SHEET: 1 OF 4

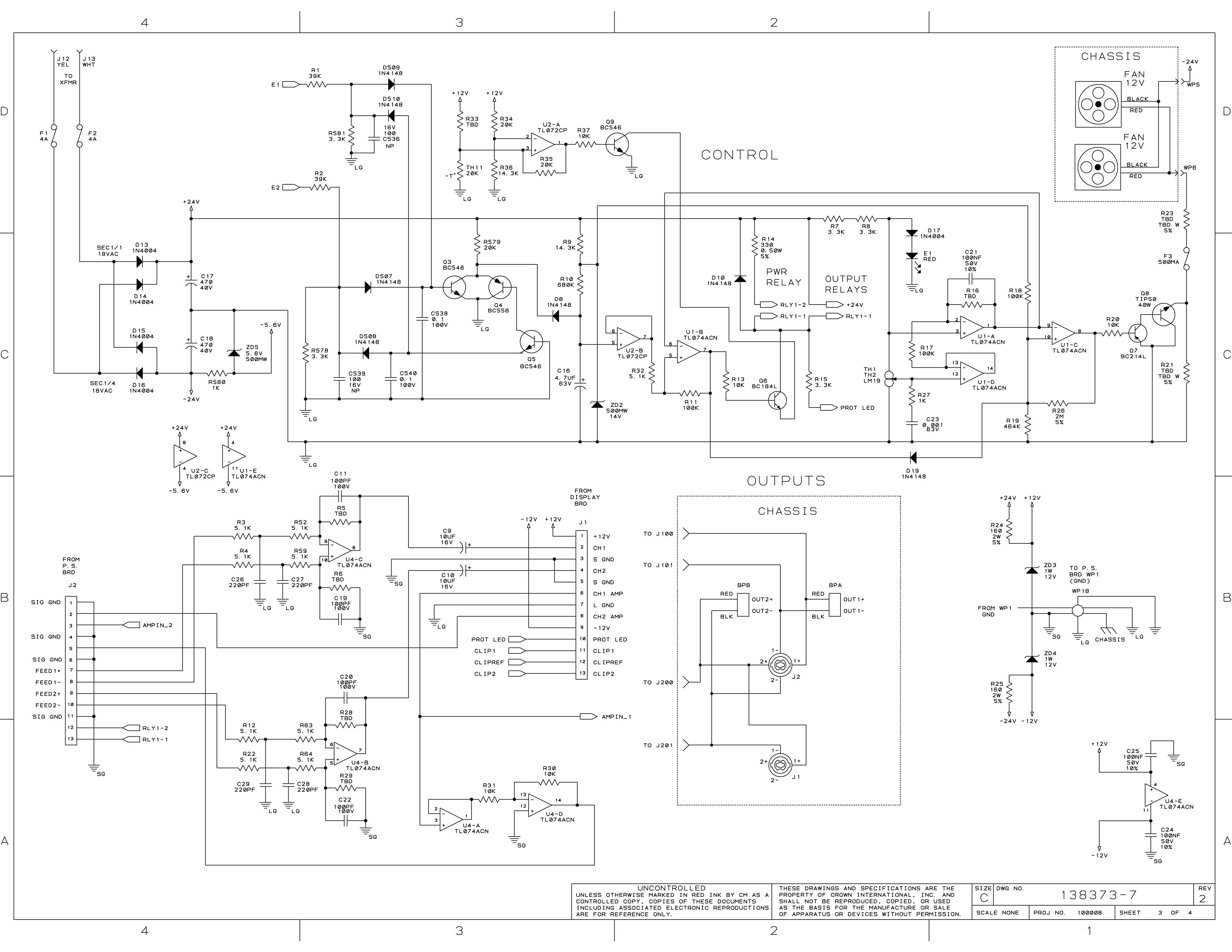
CHANNEL 2



UNCONTROLLED  
UNLESS OTHERWISE MARKED IN RED INK BY CM AS A CONTROLLED COPY, COPIES OF THESE DOCUMENTS INCLUDING ASSOCIATED ELECTRONIC REPRODUCTIONS ARE FOR REFERENCE ONLY.

THESE DRAWINGS AND SPECIFICATIONS ARE THE PROPERTY OF CROWN INTERNATIONAL, INC. AND SHALL NOT BE REPRODUCED, COPIED, OR USED AS THE BASIS FOR THE MANUFACTURE OR SALE OF APPARATUS OR DEVICES WITHOUT PERMISSION.

SIZE	DWG NO.	REV
C	138373-7	2
SCALE NONE	PROJ NO. 100008	SHEET 2 OF 4

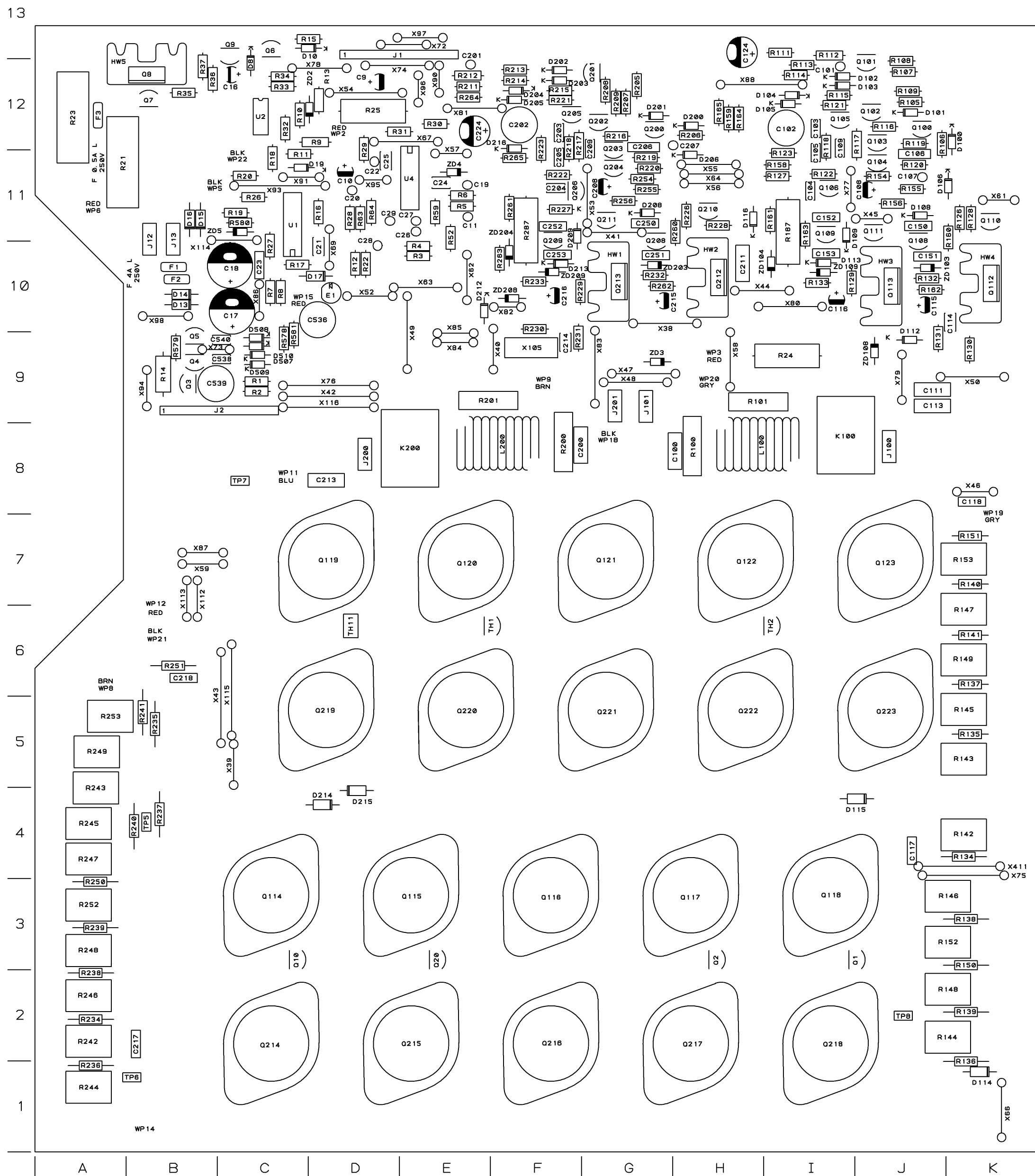


UNCONTROLLED  
 UNLESS OTHERWISE MARKED IN RED INK BY CM AS A  
 CONTROLLED COPY. COPIES OF THESE DOCUMENTS  
 INCLUDING ASSOCIATED ELECTRONIC REPRODUCTIONS  
 ARE FOR REFERENCE ONLY.

THESE DRAWINGS AND SPECIFICATIONS ARE THE  
 PROPERTY OF CROWN INTERNATIONAL, INC. AND  
 SHALL NOT BE REPRODUCED, COPIED, OR USED  
 AS THE BASIS FOR THE MANUFACTURE OR SALE  
 OF APPARATUS OR DEVICES WITHOUT PERMISSION.

SIZE	DWG NO.	138373-7	REV	2	
SCALE	NONE	PROJ NO.	100008	SHEET	3 OF 4

COMPONENT MAP  
TOP SIDE



PWA, XLS MAIN

UNCONTROLLED  
UNLESS OTHERWISE MARKED IN RED INK BY CM AS A  
CONTROLLED COPY. COPIES OF THESE DOCUMENTS  
INCLUDING ASSOCIATED ELECTRONIC REPRODUCTIONS  
ARE FOR REFERENCE ONLY.

THESE DRAWINGS AND SPECIFICATIONS ARE THE  
PROPERTY OF CROWN INTERNATIONAL, INC. AND  
SHALL NOT BE REPRODUCED, COPIED, OR USED  
AS THE BASIS FOR THE MANUFACTURE OR SALE  
OF APPARATUS OR DEVICES WITHOUT PERMISSION.

SIZE	DWG NO.	REV
C	138373-7	2
SCALE NONE	PROJ NO. 100008	SHEET 4 OF 4