

Voltage selector switch, 6 stages, serie-parallel, PCB mounting



Description

- Voltage Selector, 6 stages
- Series-parallel connections
- PCB terminals

Standards

- IEC 61058-2-5
- UL 508
- CSA C22.2 no. 55

References

Alternative: version for panel mounting [SWZ1 \(Frontpl\)](#)

Weblinks

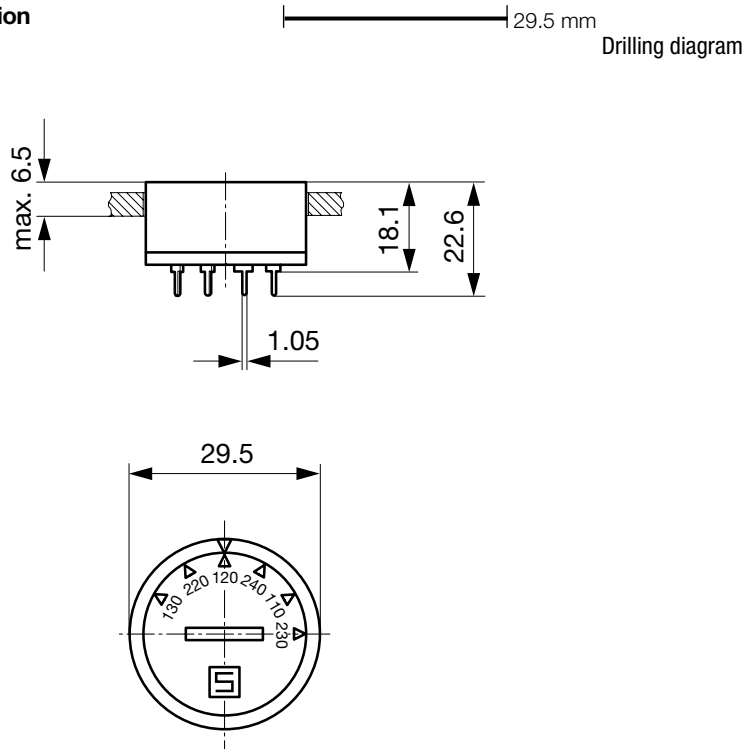
[pdf-datasheet](#), [html-datasheet](#), [General Product Information](#), [Approvals](#), [CE declaration of conformity](#), [RoHS](#), [CHINA-RoHS](#), [REACH](#), [e-Shop](#), [SCHURTER-Stock-Check](#), [Distributor-Stock-Check](#), [CAD-Drawings](#), [Detailed request for product](#)

Technical Data

Ratings	IEC: 6.3 A / 250 VAC; 50 Hz UL: 10 A / 250 VAC; 60 Hz CSA: 6.3 A / 250 VAC; 60 Hz
Mounting	PCB Mounting
Terminal	Solder, THT
Number of Stages	6
Lifetime	300 operating cycles (without load)
Degree of Protection	from front side IP 40
Protection Class	Suitable for appliances with protection class II acc. to IEC 61140
Allowable Operation Temp.	-40°C to 85°C
Climatic Category	25/85/21 acc. to IEC 60068-1
Material: Socket	Thermoplastic, black, UL 94V-0
Weight	11.8 g

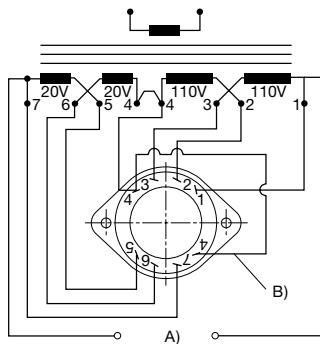
Solderability	235 °C / 2 sec acc. to IEC 60068-2-20, Test Ta, method 1
Resistance to Soldering Heat	260 °C / 5 sec acc. to IEC 60068-2-20, Test Tb, method 1A
Insulation Resistance	> 10'000M Ω (500VDC; 1min)
Contact Resistance	< 10 m Ω at 20 mV
Dielectric Strength	> 2kVAC between L-N > 4kVAC between L/N-PE (1min; 50Hz)
Clearance and Creepage Distance	> 3mm > 8mm between L/N-PE
Resistance to Vibration	acc. to IEC 60068-2-6, test Fc

Dimension



Diagrams

Reverse view



- A) Power mains
- B) External connection

All Variants

Stage 1	Stage 2	Letterings				Stage 6	Order Number
		Stage 3	Stage 4	Stage 5	Stage 6		
150	220	130	260	110	240	0033.3801	
130	220	120	240	110	230	0033.3802	
134	200	117	234	100	217	0033.3803	
140	200	120	240	100	220	0033.3805	
100	240	-	220	120	-	0033.3812	
						0033.3814	
120	220	100	240			0033.3815	
	220			110	240	0033.3819	
145	210	125	250	105	230	0033.3833	
	200	120	240	100	220	0033.3837	
130	200	115	230	100	215	0033.3839	

Letterings						Order Number
Stage 1	Stage 2	Stage 3	Stage 4	Stage 5	Stage 6	
						0033.3843
		120	240	100	230	0033.3845
120	220	115	230	110	225	0033.3846

Availability for all products can be searched real-time:<http://www.schurter.com/en/Stock-Check/Stock-Check-SCHURTER>

Packaging Unit 50 Pcs