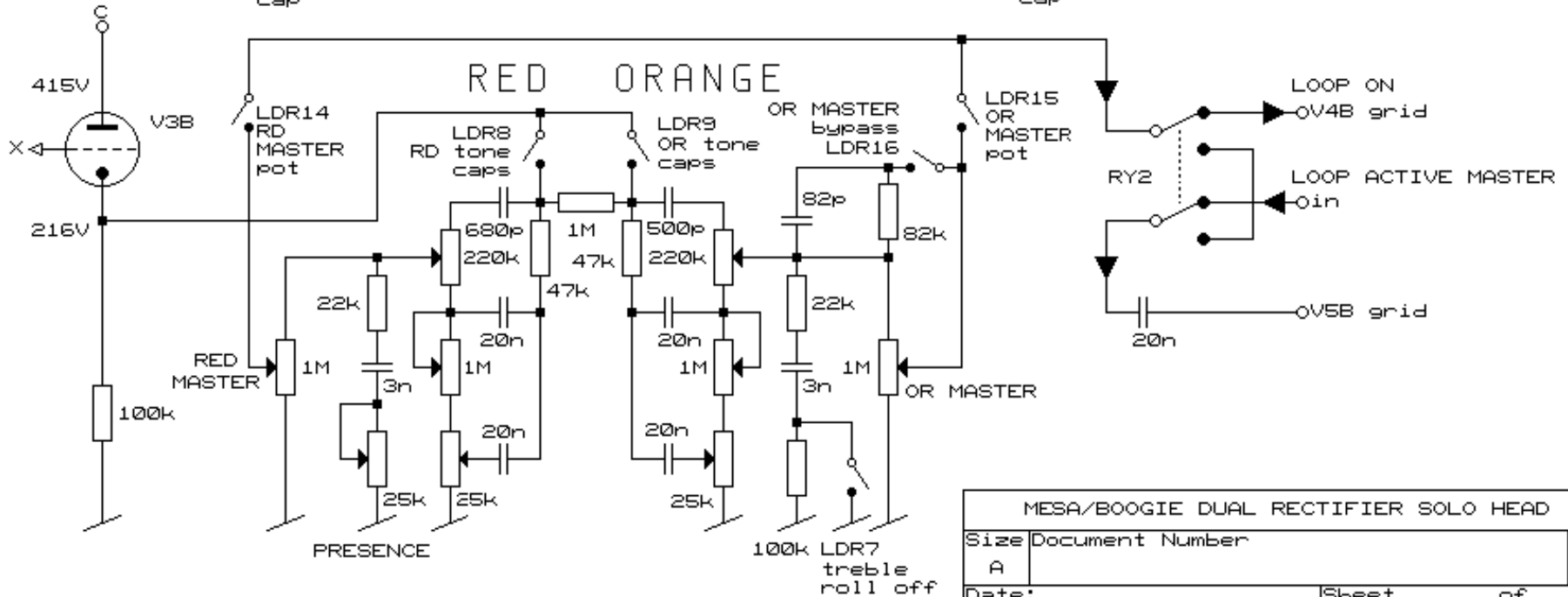
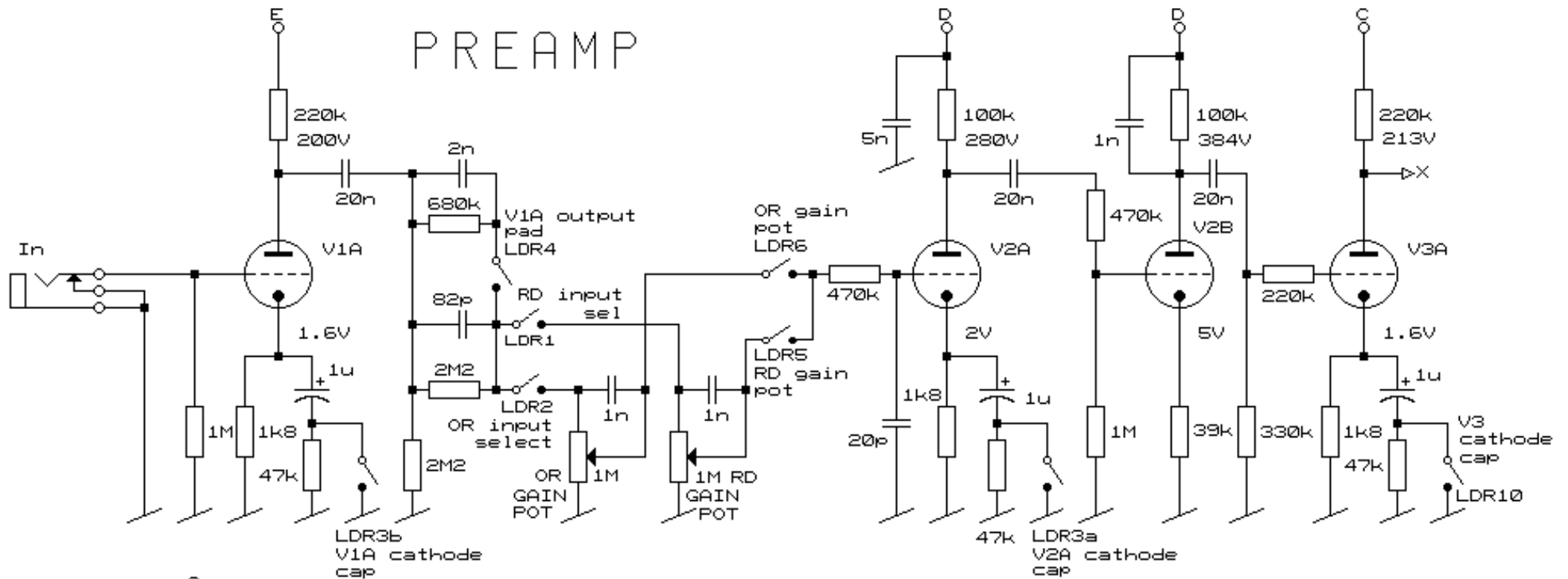
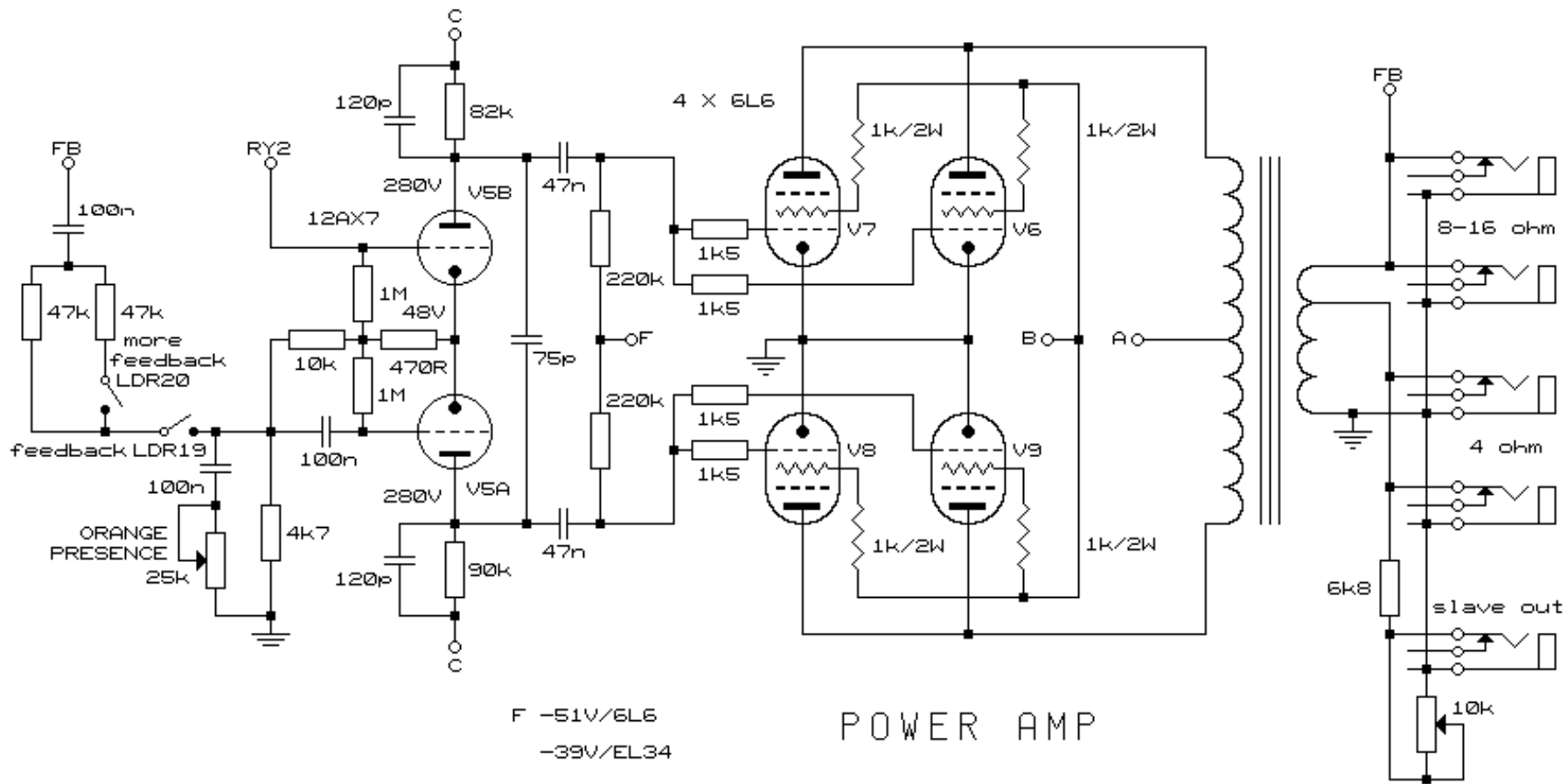


PREAMP



MESA/BOOGIE DUAL RECTIFIER SOLO HEAD		
Size	Document Number	REV
A		
Date:	Sheet	of

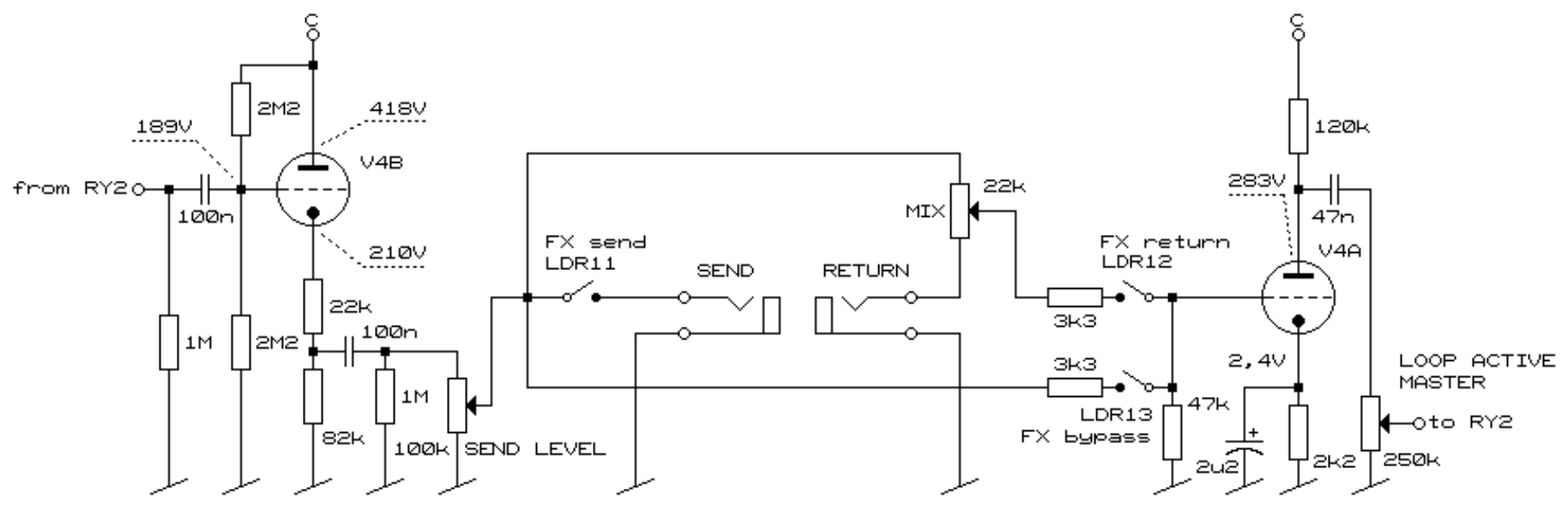


F -51V/6L6
-39V/EL34

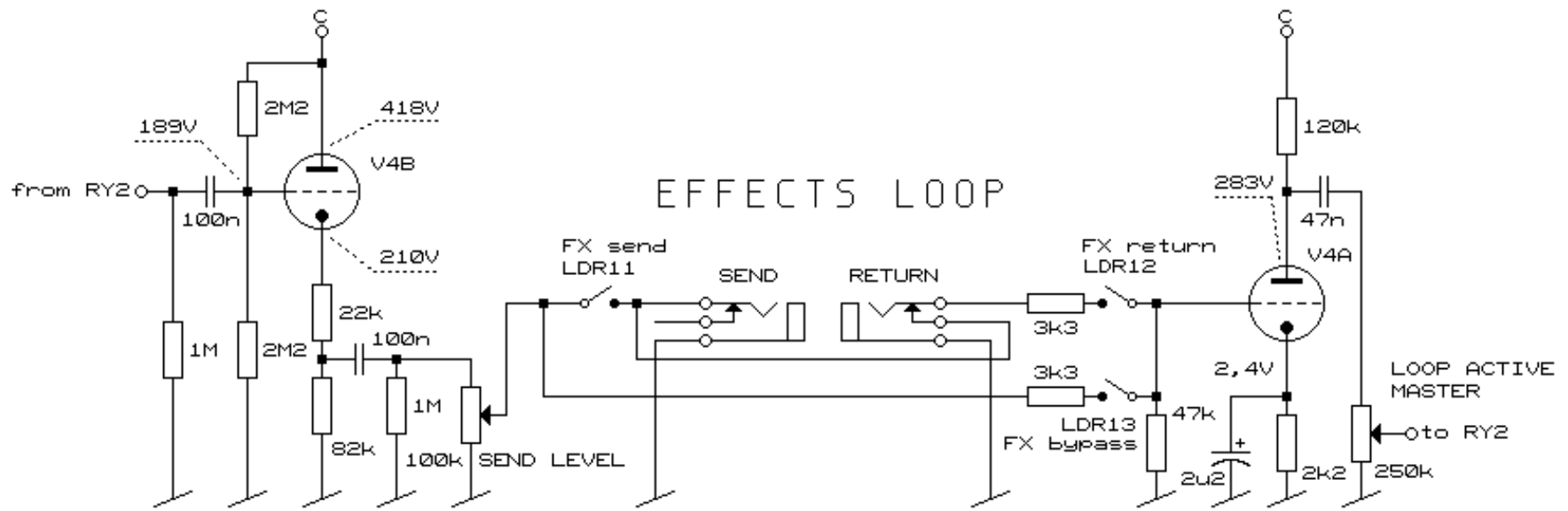
POWER AMP

MESA/BOOGIE DUAL RECTIFIER SOLO HEAD		
Size	Document Number	REV
A		
Date:	Sheet	of

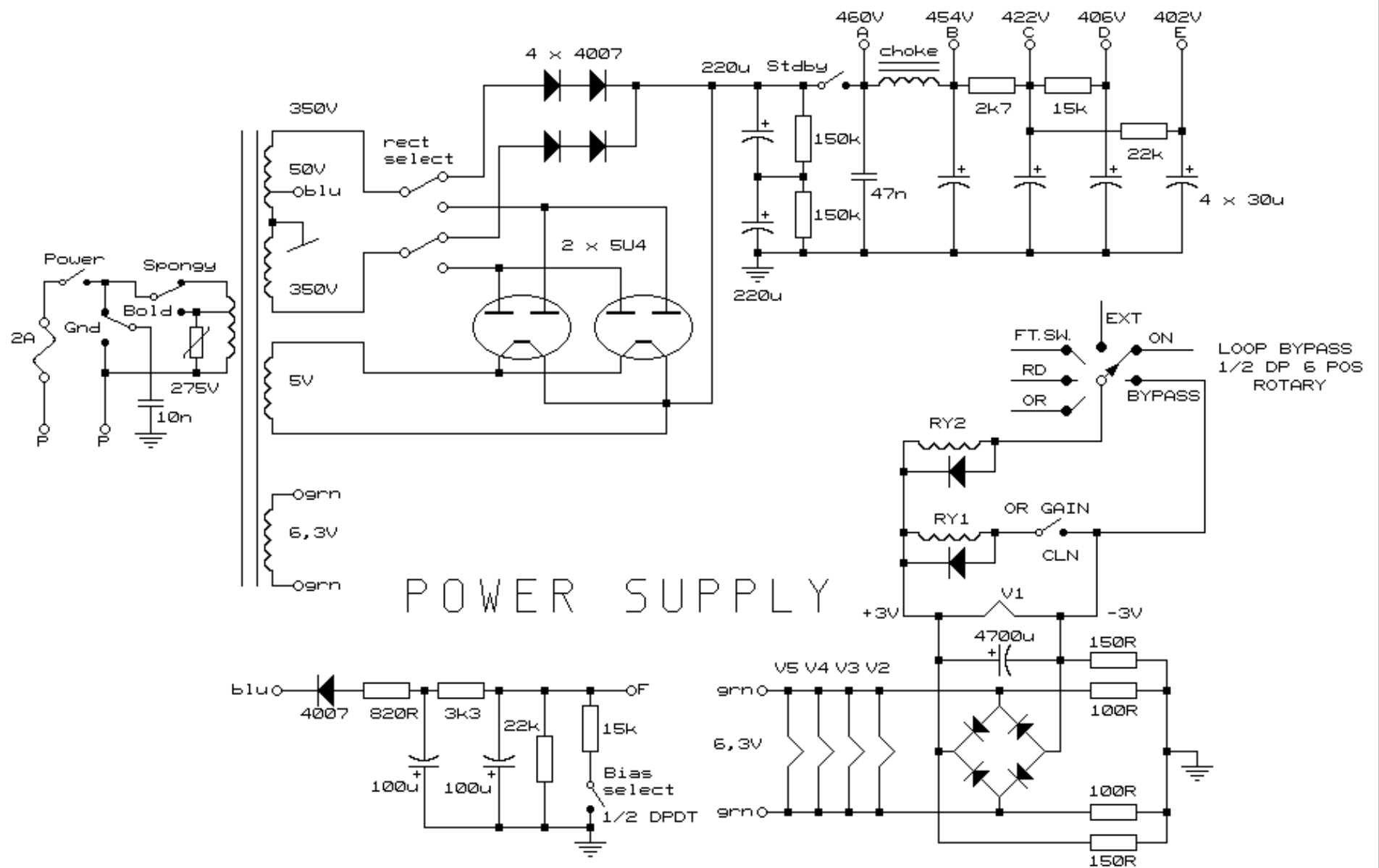
EFFECTS LOOP



MESA/BOOGIE DUAL RECTIFIER SOLO HEAD		
Size	Document Number	REV
A		
Date:	Sheet	of

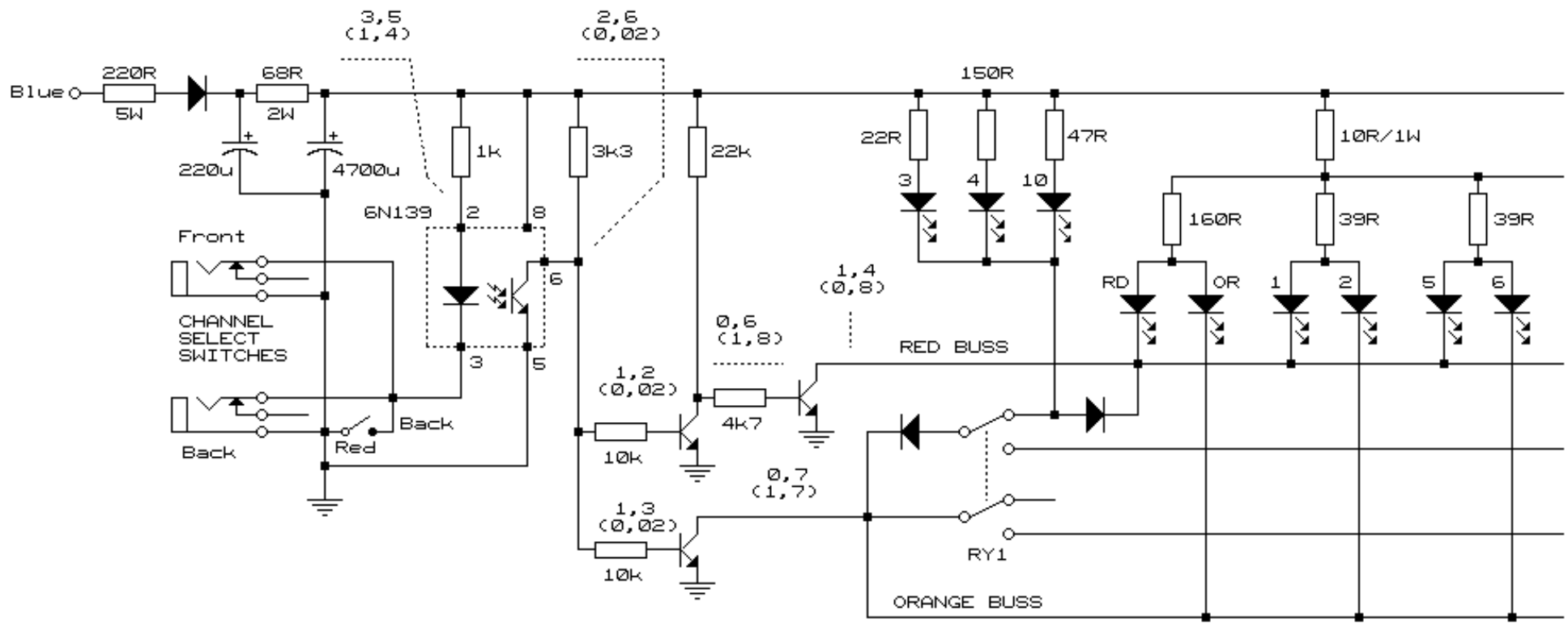


MESA/BOOGIE DUAL RECTIFIER SOLO HEAD		
Size	Document Number	REV
A		
Date:	Sheet	of



6L6 -51V
 EL34 -39V

MESA/BOOGIE DUAL RECTIFIER SOLO HEAD		
Size	Document Number	REV
A		
Date:	Sheet	of

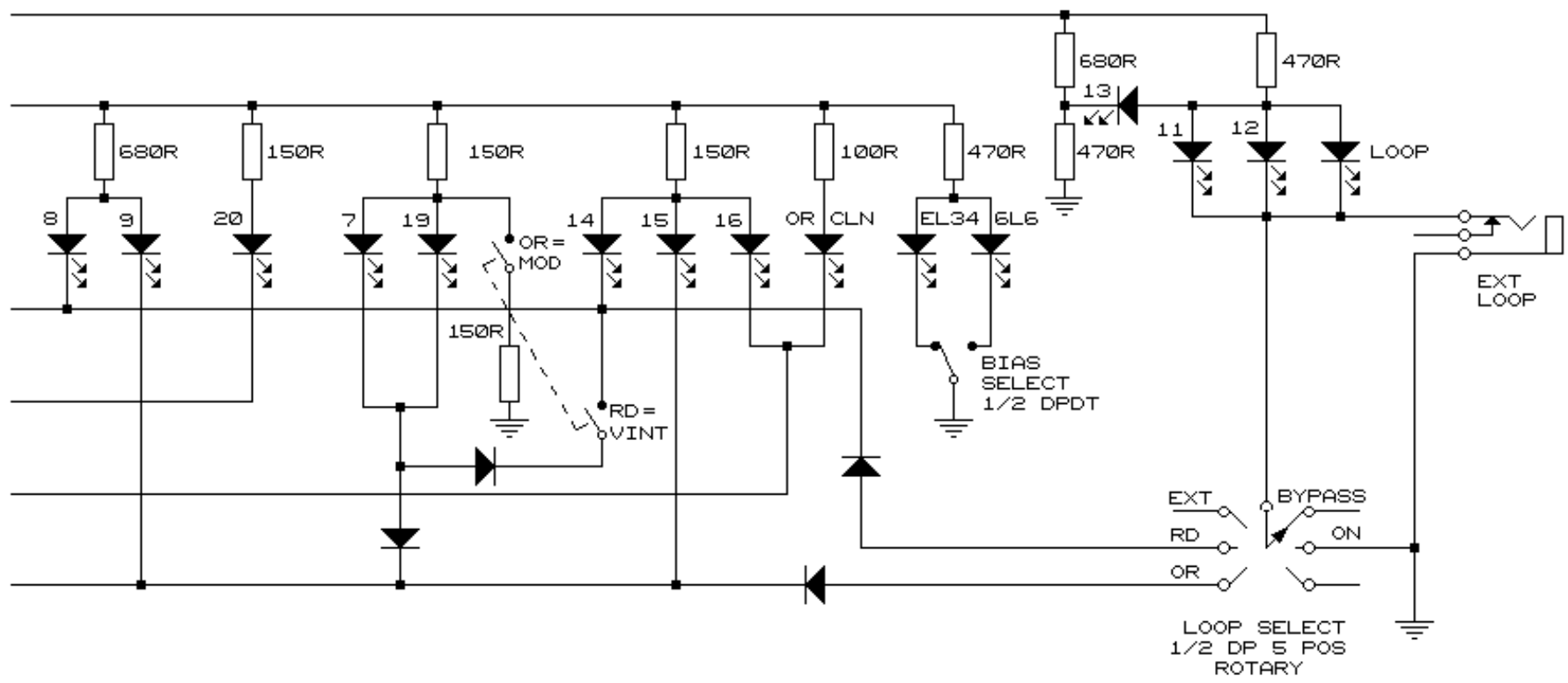


RY1 on in OR CLN
 lifts LDR's 3,4,10 from OR BUSS
 adds LDR's 16,20 to OR BUSS

SWITCHING MATRIX

PART1

MESA/BOOGIE DUAL RECTIFIER SOLO HEAD		
Size	Document Number	REV
A		
Date:	Sheet	of



SWITCHING MATRIX

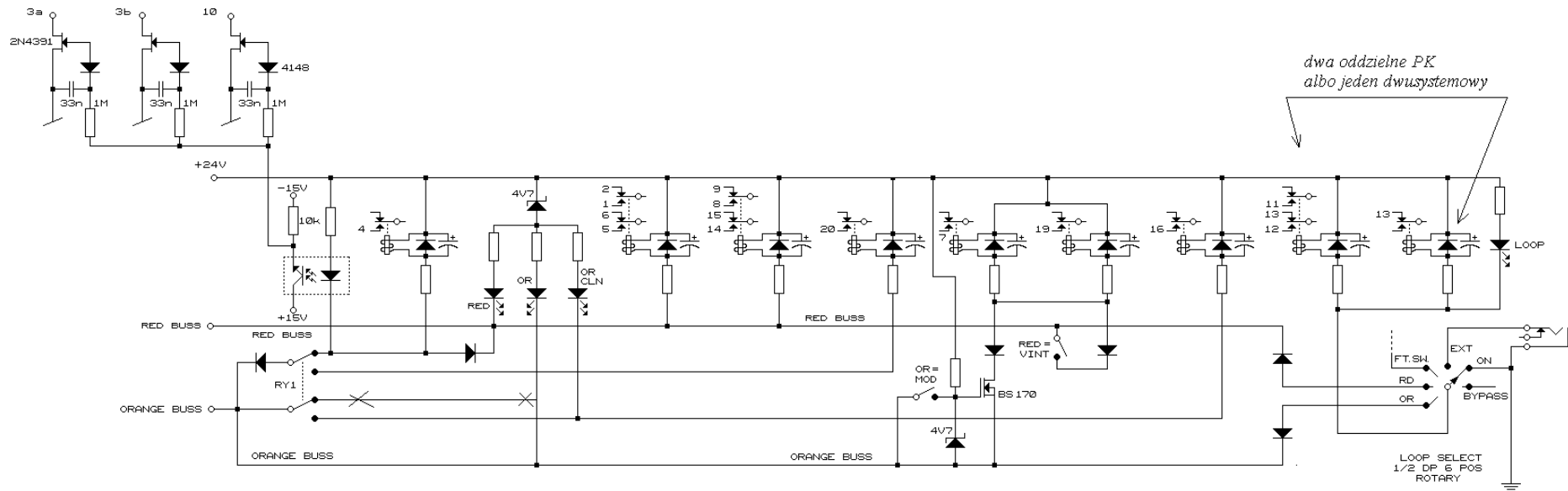
PART 2

MESA/BOOGIE DUAL RECTIFIER SOLO HEAD		
Size	Document Number	REV
A		
Date:	Sheet	of

LDR#	DEVICE NAME	OR NORM	OR CLN	OR MOD	RED NORM	RED VINT
1	INPUT SELECT	OFF	OFF	OFF	ON	ON
2	INPUT SELECT	ON	ON	ON	OFF	OFF
3a	V2A CATHODE CAP	ON	OFF	ON	ON	ON
3b	V1A CATHODE CAP					
4	V1A OUTPUT PAD	ON	OFF	ON	ON	ON
5	RD GAIN POT	OFF	OFF	OFF	ON	ON
6	OR GAIN POT	ON	ON	ON	OFF	OFF
7	TREBLE ROLL OFF	ON	ON	OFF	OFF	ON
8	RD TONE CAPS	OFF	OFF	OFF	ON	ON
9	OR TONE CAPS	ON	ON	ON	OFF	OFF
10	V3 CATHODE CAP	ON	OFF	ON	ON	ON
11	FX SEND	FX SEND LDR ON FOR SELECTED MODE FX RETURN LDR ON FOR SELECTED MODE FX BYPASS LDR ON FOR UNSELECTED MODE				
12	FX RETURN					
13	FX BYPASS					
14	RD MASTER POT	OFF	OFF	OFF	ON	ON
15	OR MASTER POT	ON	ON	ON	OFF	OFF
16	OR MASTER BYPASS	OFF	ON	OFF	OFF	OFF
19	FEEDBACK	ON	ON	OFF	OFF	ON
20	MORE FEEDBACK	OFF	ON	OFF	OFF	OFF

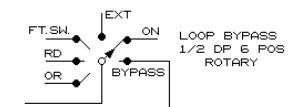
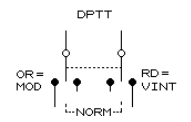
TRUTH TABLE

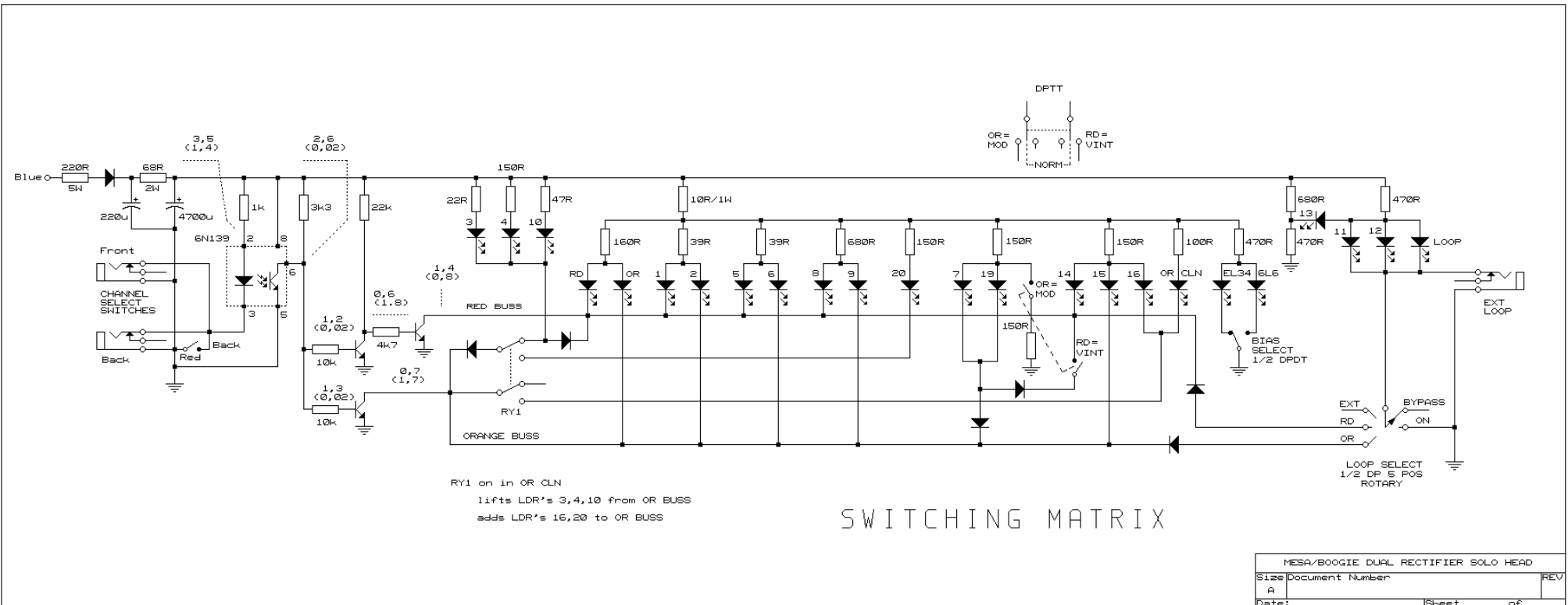
MESA/BOOGIE DUAL RECTIFIER SOLO HEAD		
Size:	Document Number	REV
A		
Date:	Sheet	of



*dwa oddzielne PK
albo jeden dwusystemowy*

RY1 on in OR CLN
 lifts LDR's 3,4,10 from OR BUSS
 adds LDR's 16,20 to OR BUSS





RY1 on in OR CLN
 lifts LDR's 3,4,10 from OR BUSS
 adds LDR's 15,20 to OR BUSS

SWITCHING MATRIX