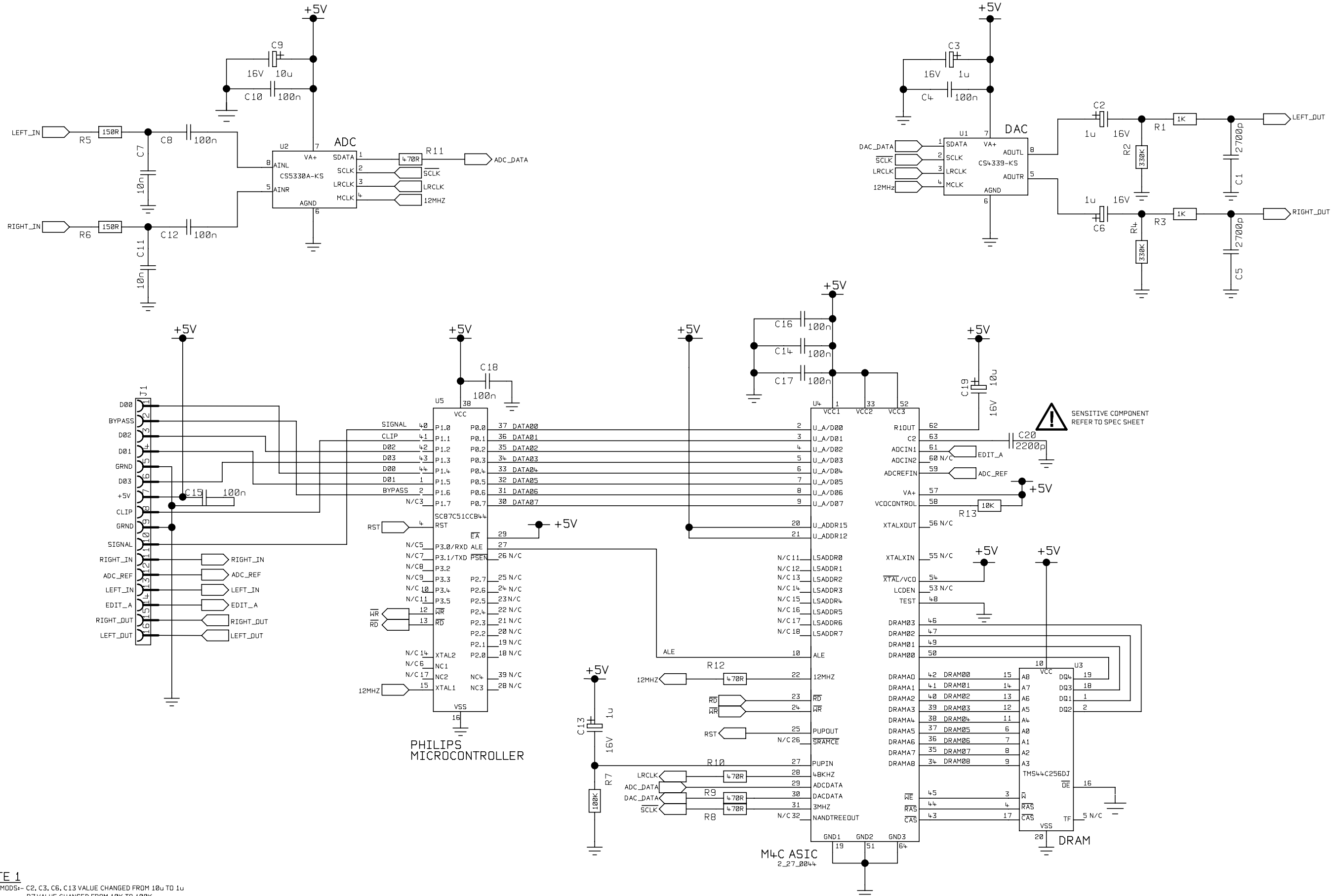


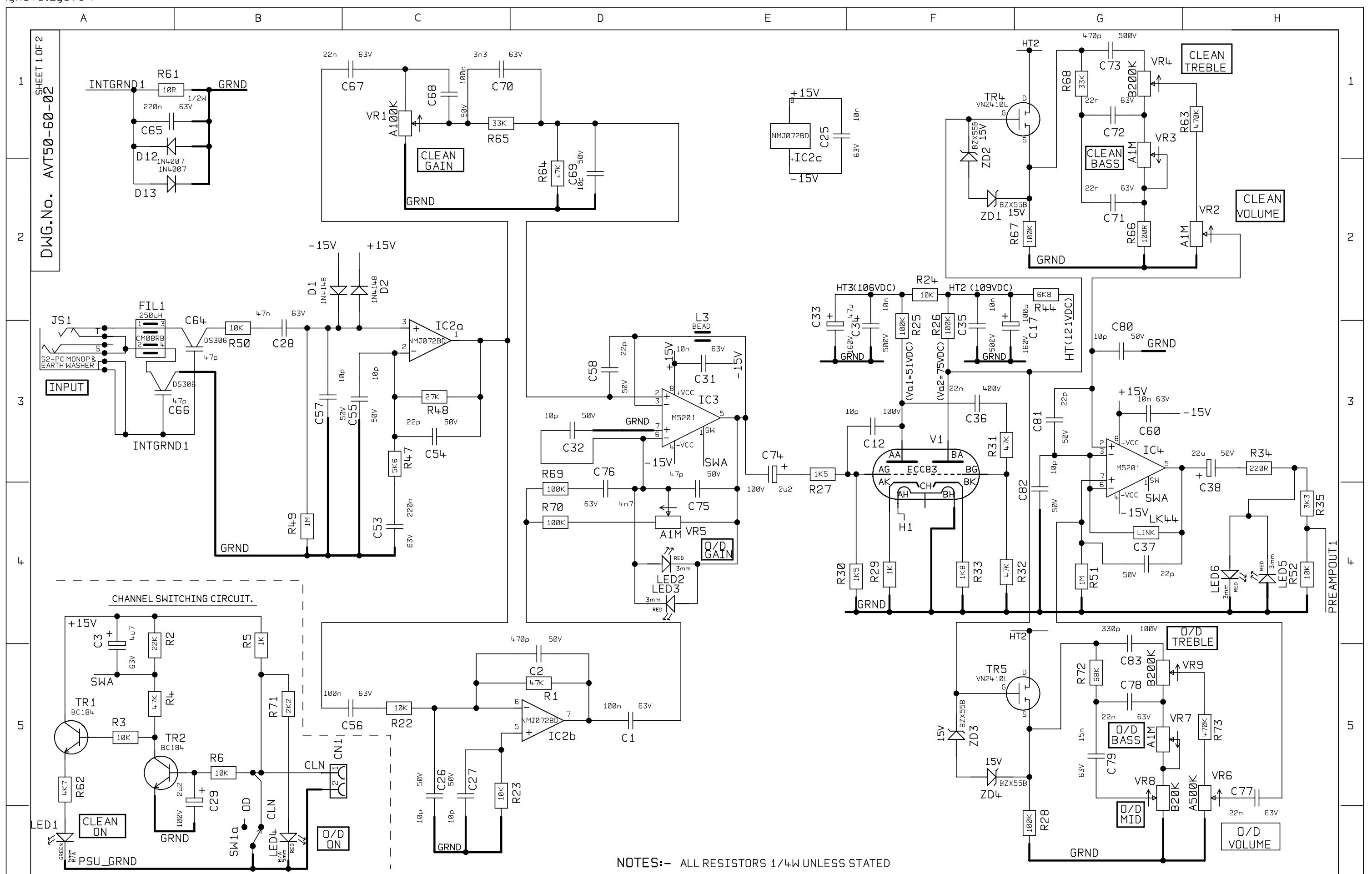
DWG.No. DREV-60-01



**NOTE 1**  
 ISS 2 MODS:- C2, C3, C6, C13 VALUE CHANGED FROM 10u TO 1u  
 R7 VALUE CHANGED FROM 10K TO 100K

5	C9 & 19 10u AL, R14 NOW R13	ALL OTHER HOLES =	X = (THROUGH PLATED)				MATERIAL	DIMENSIONS IN	<p>MARSHALL AMPLIFICATION PLC                  DENBIGH ROAD, BLETCHLEY, MILTON KEYNES, MK1 1DG.                  TEL (01908) 375411 FAX (01908) 376118</p>	TITLE DIGITAL REVERB PCB DWG.No DREV-60-01 ISS 5
4	C9 & 19 NOW 4.7u TANTALUM	A	E	J	N	MATERIAL THICKNESS	TOLERANCE (UNLESS OTHERWISE STATED)			
3	MODS FROM RADAMEC	B	F	K	P	DRAWN A.G.	DATE 24-11-98			
2	REF NOTE 1	C	G	L	Q	CHECKED	DATE			
ISS	ECO NUMBER	D	H	M	R	APPROVED	DATE			

MODEL DIGITAL REVERB

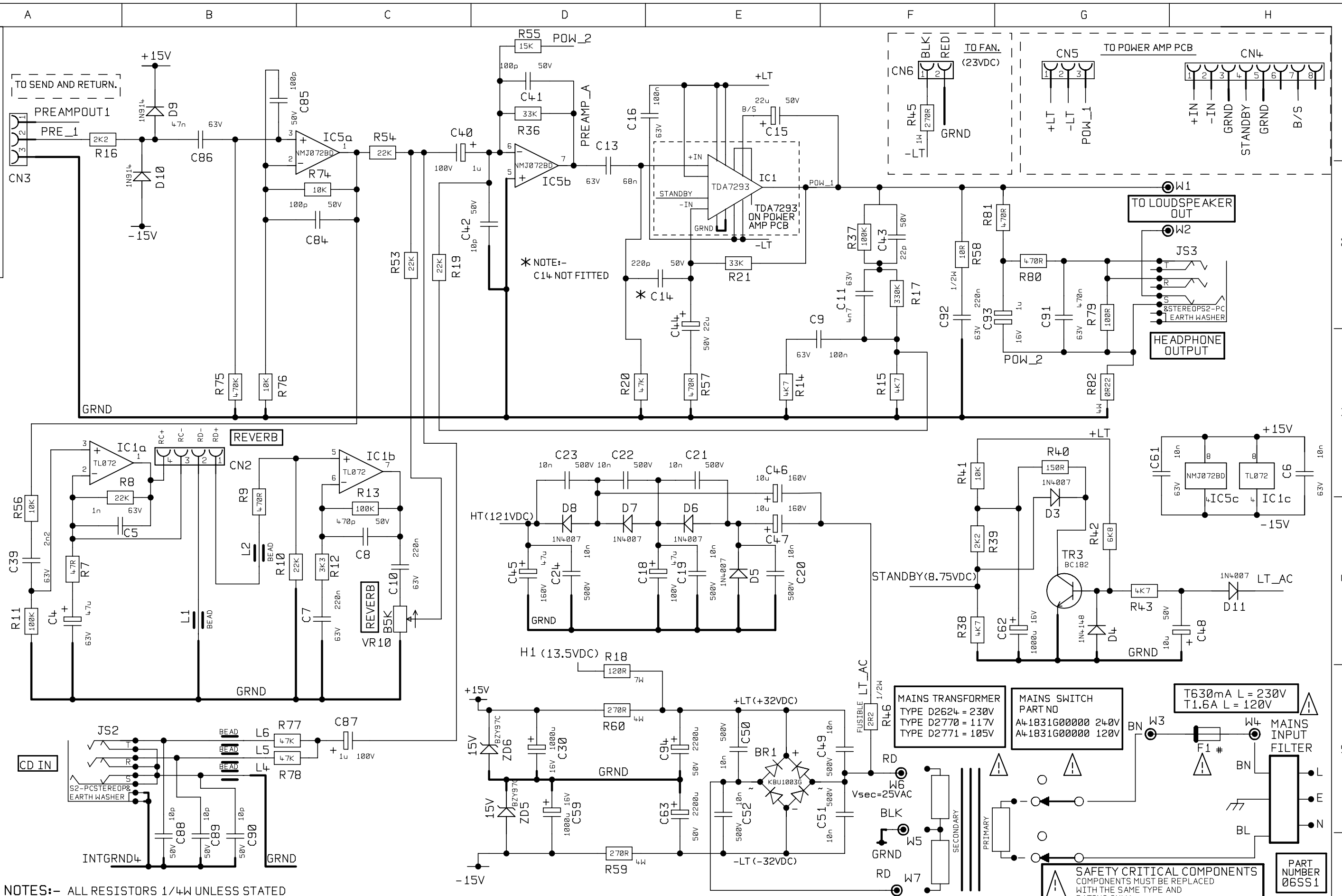


NOTES:- ALL RESISTORS 1/4W UNLESS STATED

1			ALL OTHER HOLES =			X = (THROUGH PLATED)			MATERIAL		DIMENSIONS IN		TITLE		SHEET 1 OF 3	
2			A			F			MATERIAL THICKNESS		TOLERANCE (UNLESS OTHERWISE STATED)		DRAWN		DATE	
3			B			G			DRAWN		DATE		CHECKED		DATE	
4			C			H			CHECKED		DATE		APPROVED		DATE	
5			D			I			APPROVED		DATE		MODEL		AVT50	
6			E			J			APPROVED		DATE		MARSHALL		MARSHALL AMPLIFICATION PLC	
7			F			K			APPROVED		DATE		DENBIGH ROAD, BLETCHLEY, MILTON KEYNES, MK1 1QG.		TEL: (01908) 375411 FAX: (01908) 376118	
8			G			L			APPROVED		DATE		ISS		1	
9			H			M			APPROVED		DATE		ISS		1	
10			I			N			APPROVED		DATE		ISS		1	
11			J			O			APPROVED		DATE		ISS		1	
12			K			P			APPROVED		DATE		ISS		1	
13			L			Q			APPROVED		DATE		ISS		1	
14			M			R			APPROVED		DATE		ISS		1	
15			N			S			APPROVED		DATE		ISS		1	
16			O			T			APPROVED		DATE		ISS		1	
17			P			U			APPROVED		DATE		ISS		1	
18			Q			V			APPROVED		DATE		ISS		1	
19			R			W			APPROVED		DATE		ISS		1	
20			S			X			APPROVED		DATE		ISS		1	
21			T			Y			APPROVED		DATE		ISS		1	
22			U			Z			APPROVED		DATE		ISS		1	
23			V			AA			APPROVED		DATE		ISS		1	
24			W			AB			APPROVED		DATE		ISS		1	
25			X			AC			APPROVED		DATE		ISS		1	
26			Y			AD			APPROVED		DATE		ISS		1	
27			Z			AE			APPROVED		DATE		ISS		1	
28			AA			AF			APPROVED		DATE		ISS		1	
29			AB			AG			APPROVED		DATE		ISS		1	
30			AC			AH			APPROVED		DATE		ISS		1	
31			AD			AI			APPROVED		DATE		ISS		1	
32			AE			AJ			APPROVED		DATE		ISS		1	
33			AF			AK			APPROVED		DATE		ISS		1	
34			AG			AL			APPROVED		DATE		ISS		1	
35			AH			AM			APPROVED		DATE		ISS		1	
36			AI			AN			APPROVED		DATE		ISS		1	
37			AJ			AO			APPROVED		DATE		ISS		1	
38			AK			AP			APPROVED		DATE		ISS		1	
39			AL			AQ			APPROVED		DATE		ISS		1	
40			AM			AR			APPROVED		DATE		ISS		1	
41			AN			AS			APPROVED		DATE		ISS		1	
42			AO			AT			APPROVED		DATE		ISS		1	
43			AP			AU			APPROVED		DATE		ISS		1	
44			AQ			AV			APPROVED		DATE		ISS		1	
45			AR			AW			APPROVED		DATE		ISS		1	
46			AS			AX			APPROVED		DATE		ISS		1	
47			AT			AY			APPROVED		DATE		ISS		1	
48			AU			AZ			APPROVED		DATE		ISS		1	
49			AV			BA			APPROVED		DATE		ISS		1	
50			AW			BB			APPROVED		DATE		ISS		1	
51			AX			BC			APPROVED		DATE		ISS		1	
52			AY			BD			APPROVED		DATE		ISS		1	
53			AZ			BE			APPROVED		DATE		ISS		1	
54			BA			BF			APPROVED		DATE		ISS		1	
55			BB			BG			APPROVED		DATE		ISS		1	
56			BC			BH			APPROVED		DATE		ISS		1	
57			BD			BI			APPROVED		DATE		ISS		1	
58			BE			BJ			APPROVED		DATE		ISS		1	
59			BF			BK			APPROVED		DATE		ISS		1	
60			BG			BL			APPROVED		DATE		ISS		1	
61			BH			BM			APPROVED		DATE		ISS		1	
62			BI			BN			APPROVED		DATE		ISS		1	
63			BJ			BO			APPROVED		DATE		ISS		1	
64			BK			BP			APPROVED		DATE		ISS		1	
65			BL			BQ			APPROVED		DATE		ISS		1	
66			BM			BR			APPROVED		DATE		ISS		1	
67			BN			BS			APPROVED		DATE		ISS		1	
68			BO			BT			APPROVED		DATE		ISS		1	
69			BP			BU			APPROVED		DATE		ISS		1	
70			BQ			BV			APPROVED		DATE		ISS		1	
71			BR			BW			APPROVED		DATE		ISS		1	
72			BS			BX			APPROVED		DATE		ISS		1	
73			BT			BY			APPROVED		DATE		ISS		1	
74			BU			BZ			APPROVED		DATE		ISS		1	
75			BV			CA			APPROVED		DATE		ISS		1	
76			BW			CB			APPROVED		DATE		ISS		1	
77			BX			CC			APPROVED		DATE		ISS		1	
78			BY			CD			APPROVED		DATE		ISS		1	
79			BZ			CE			APPROVED		DATE		ISS		1	
80			CA			CF			APPROVED		DATE		ISS		1	
81			CB			CG			APPROVED		DATE		ISS		1	
82			CC			CH			APPROVED		DATE		ISS		1	
83			CD			CI			APPROVED		DATE		ISS		1	
84			CE			CJ			APPROVED		DATE		ISS		1	
85			CF			CK			APPROVED		DATE		ISS		1	
86			CG			CL			APPROVED		DATE		ISS		1	
87			CH			CM			APPROVED		DATE		ISS		1	
88			CI			CN			APPROVED		DATE		ISS		1	
89			CJ			CO			APPROVED		DATE		ISS		1	
90			CK			CP			APPROVED		DATE		ISS		1	
91			CL			CQ			APPROVED		DATE		ISS		1	
92			CM			CR			APPROVED		DATE		ISS		1	
93			CN			CS			APPROVED		DATE		ISS		1	
94			CO			CT			APPROVED		DATE		ISS		1	
95			CP			CU			APPROVED		DATE		ISS		1	
96			CQ			CV			APPROVED		DATE		ISS		1	
97			CR			CW			APPROVED		DATE		ISS		1	
98			CS			CX			APPROVED		DATE		ISS		1	
99			CT			CY			APPROVED		DATE		ISS		1	
100			CU			CZ			APPROVED		DATE		ISS		1	

ignorelayers 4

SHEET 2 OF 2  
DWG.No. AVT50-60-02



NOTES:- ALL RESISTORS 1/4W UNLESS STATED

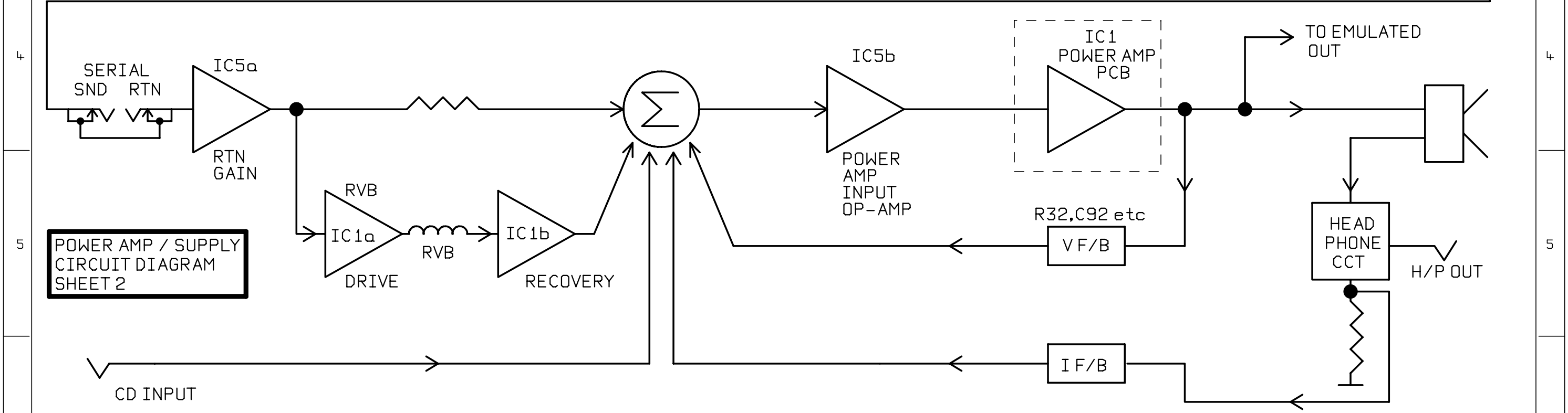
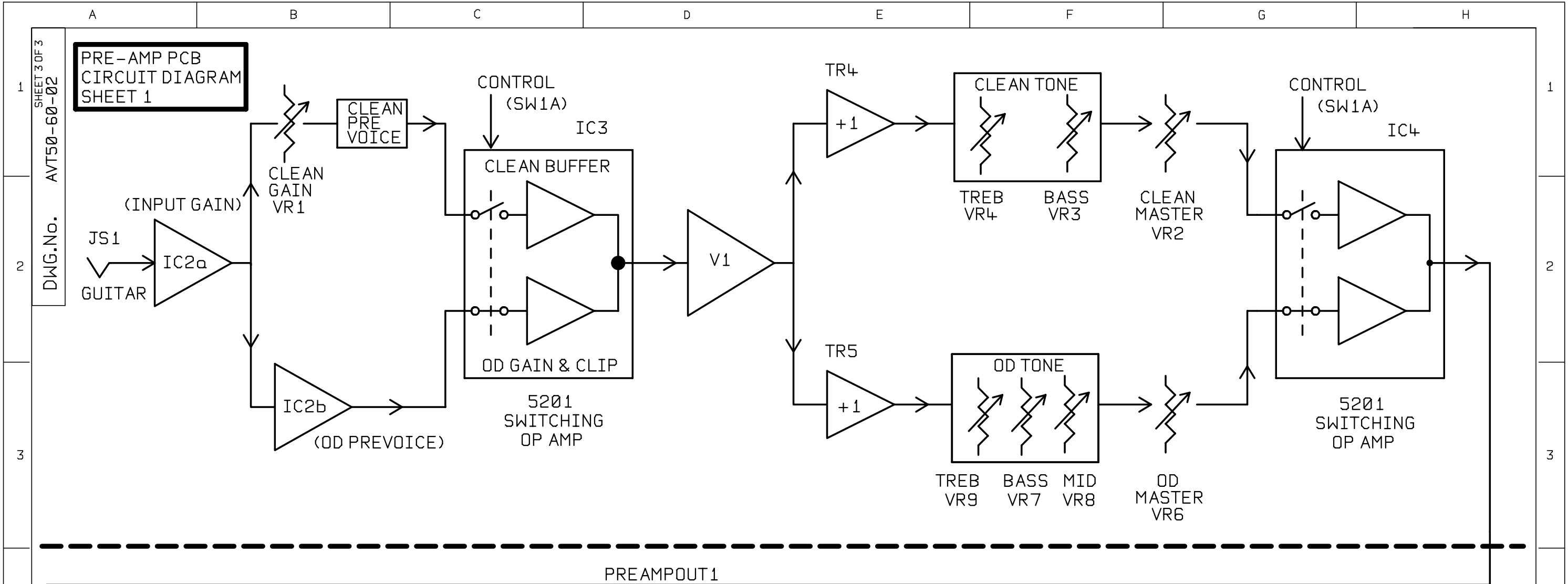
**SAFETY CRITICAL COMPONENTS**  
COMPONENTS MUST BE REPLACED  
WITH THE SAME TYPE AND  
RATING ONLY.

**PART NUMBER**  
06SS1

1		ALL OTHER HOLES =		X = (THROUGH PLATED)		MATERIAL		DIMENSIONS IN		TITLE	
						MATERIAL THICKNESS		TOLERANCE (UNLESS OTHERWISE STATED)		POWER AMP / SUPPLY	
						DRAWN		MODEL		CIRCUIT DIAGRAM	
1		24/03/00				CHECKED		AVT50		DWG.No AVT50-60-02	
ISS		DATE				APPROVED				ISS 1	

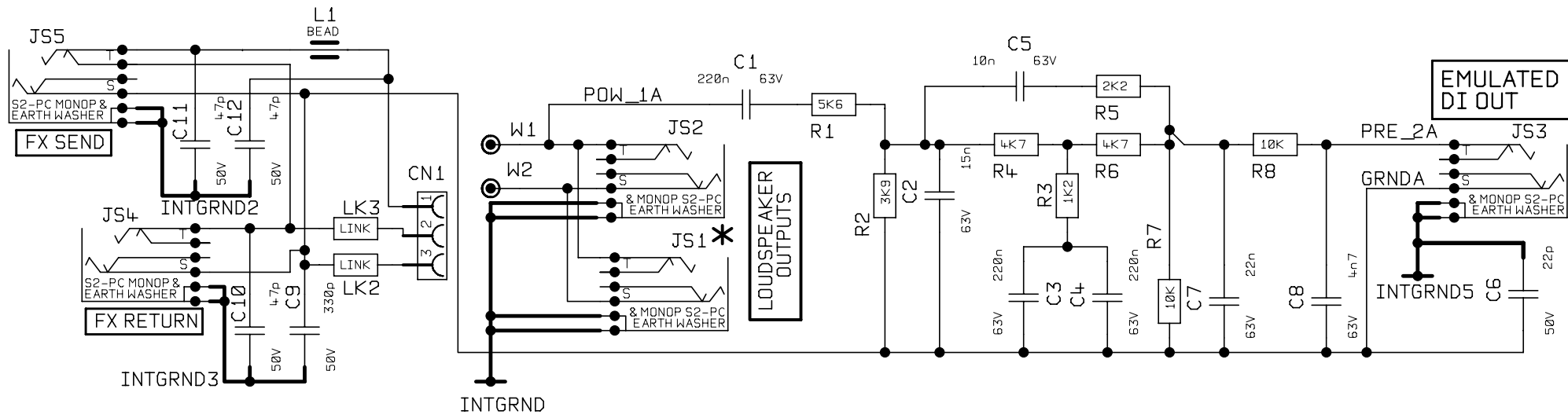


SHEET 2 OF 3  
PART NUMBER 06SS1

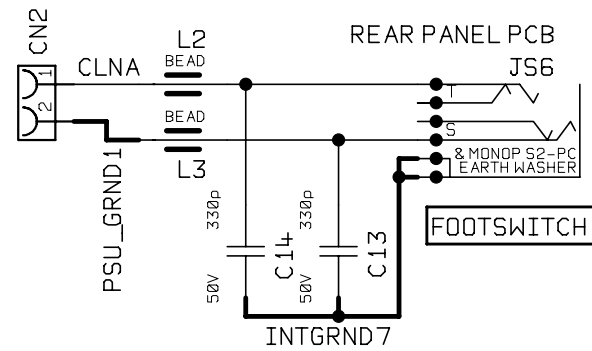



1			ALL OTHER HOLES =			X = (THROUGH PLATED)			MATERIAL		DIMENSIONS IN				TITLE		SHEET 3 OF 3	
ISS			A			B			MATERIAL THICKNESS		TOLERANCE (UNLESS OTHERWISE STATED)				AVT50 BLOCK DIAGRAM		ISS	
ECO NUMBER			C			D			DRAWN		DATE				AVT50-60-02		1	
DATE			E			F			CHECKED		DATE		AVT50		MARSHALL AMPLIFICATION PLC		DENBIGH ROAD, BLETCHLEY, MILTON KEYNES, MK1 1DR.	
			G			H			APPROVED		DATE				TEL (01908) 375411 FAX (01908) 376118			

DWG.No. AVT50-61-02



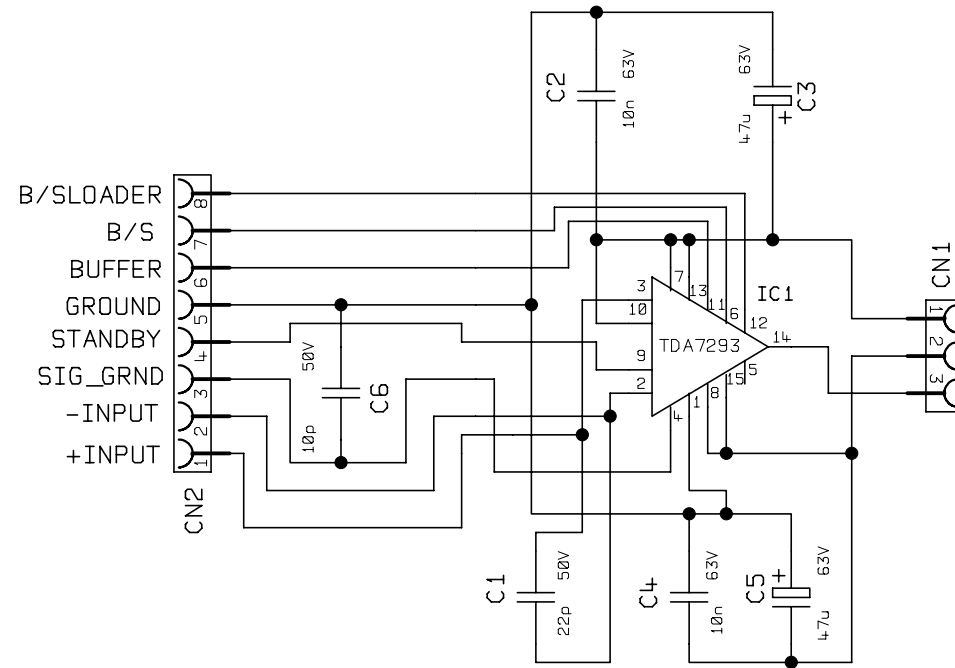
\* NOTE:- JS1 NOT FITTED ON AVT50 COMBO




		ALL OTHER HOLES =		X = (THROUGH PLATED)		MATERIAL		DIMENSIONS IN		 MARSHALL AMPLIFICATION PLC DENBIGH ROAD, BLETCHLEY, MILTON KEYNES, MK1 1DG. TEL (01908) 375411 FAX (01908) 376118		TITLE JACKSOCKET PCB		
						MATERIAL THICKNESS		TOLERANCE (UNLESS OTHERWISE STATED)				CIRCUIT DIAGRAM		
1	PRODUCTION	24/03/00	A	E	J	N	DRAWN	DATE	MODEL AVT50		DWG.No AVT50-61-02		ISS 1	
A	PRE-PRODUCTION		B	F	K	P	CHECKED	DATE						
ISS	ECO NUMBER	DATE	C	G	L	Q	APPROVED	DATE						

RIGHT PAGE 13 +

DWG.No. AVT50-62-02



		ALL OTHER HOLES = X = (THROUGH PLATED)								MATERIAL		DIMENSIONS IN		 <p>© MARSHALL AMPLIFICATION PLC DENBIGH ROAD, BLETCHLEY, MILTON KEYNES, MK1 1DG. TEL (01908) 375411 FAX (01908) 376118</p>		TITLE AVT POWER MODULE SCHEMATIC	
1 C6 ADDED		26/01/00		A	E	J	N	MATERIAL THICKNESS		TOLERANCE (UNLESS OTHERWISE STATED)		DWG.No AVT50-62-02				ISS 1	
A PRE-PRODUCTION				B	F	K	P	DRAWN SG DATE 2/9/99									
ISS ECO NUMBER		DATE		C	G	L	Q	CHECKED DATE		MODEL AVT50,AVT100,AVT150 AVT150H & AVT275							
				D	H	M	R	APPROVED DATE									