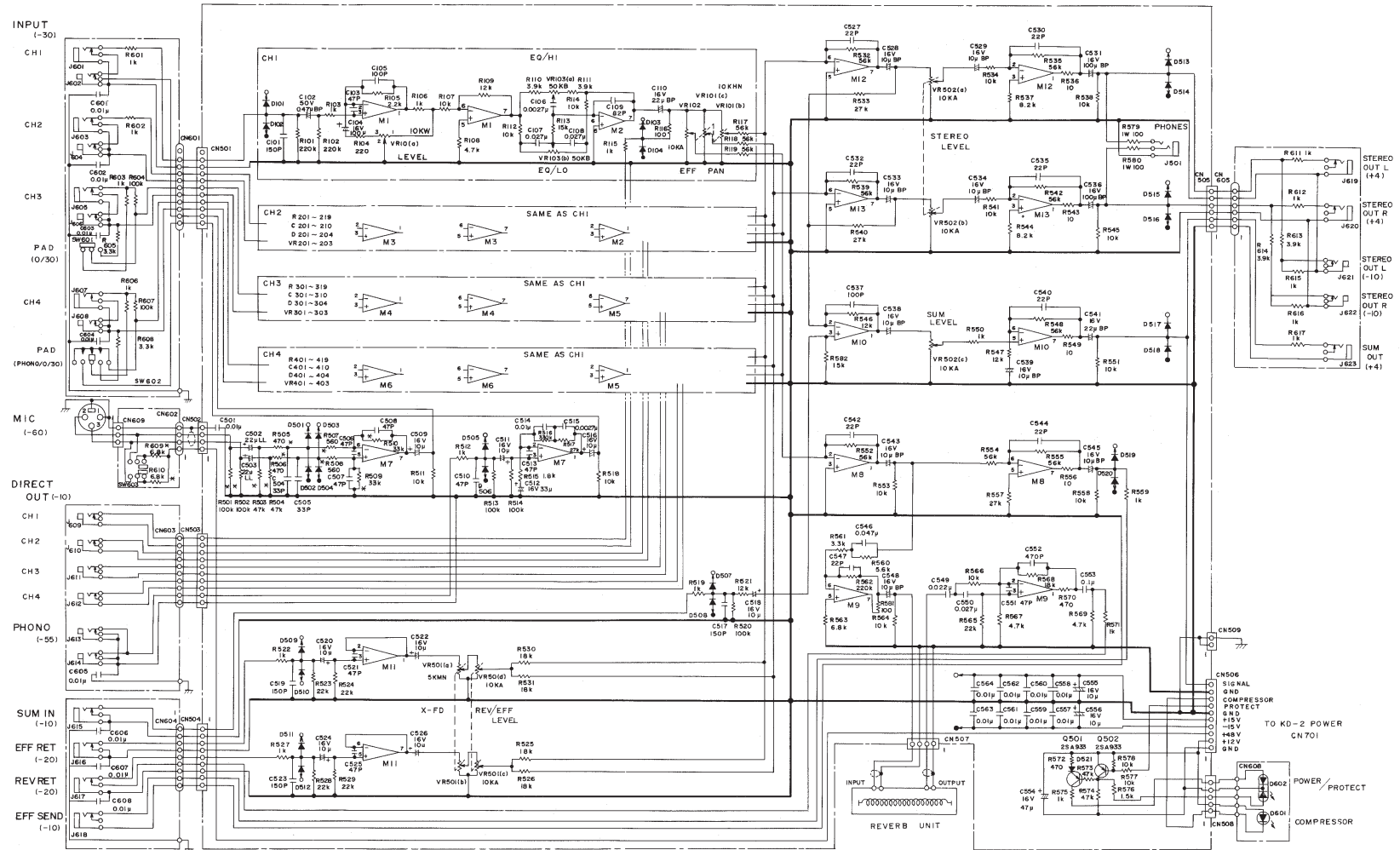


# 6. SCHEMATIC DIAGRAMS, KD-2

## Mixing Section

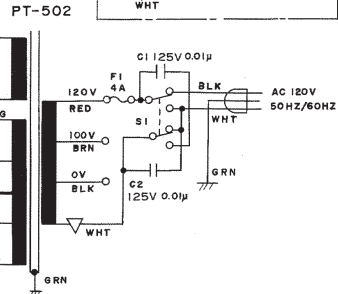
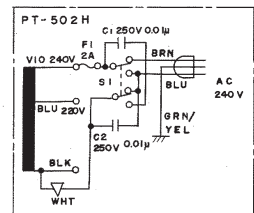
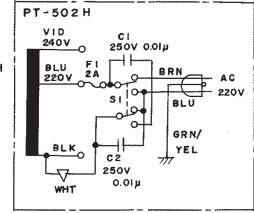
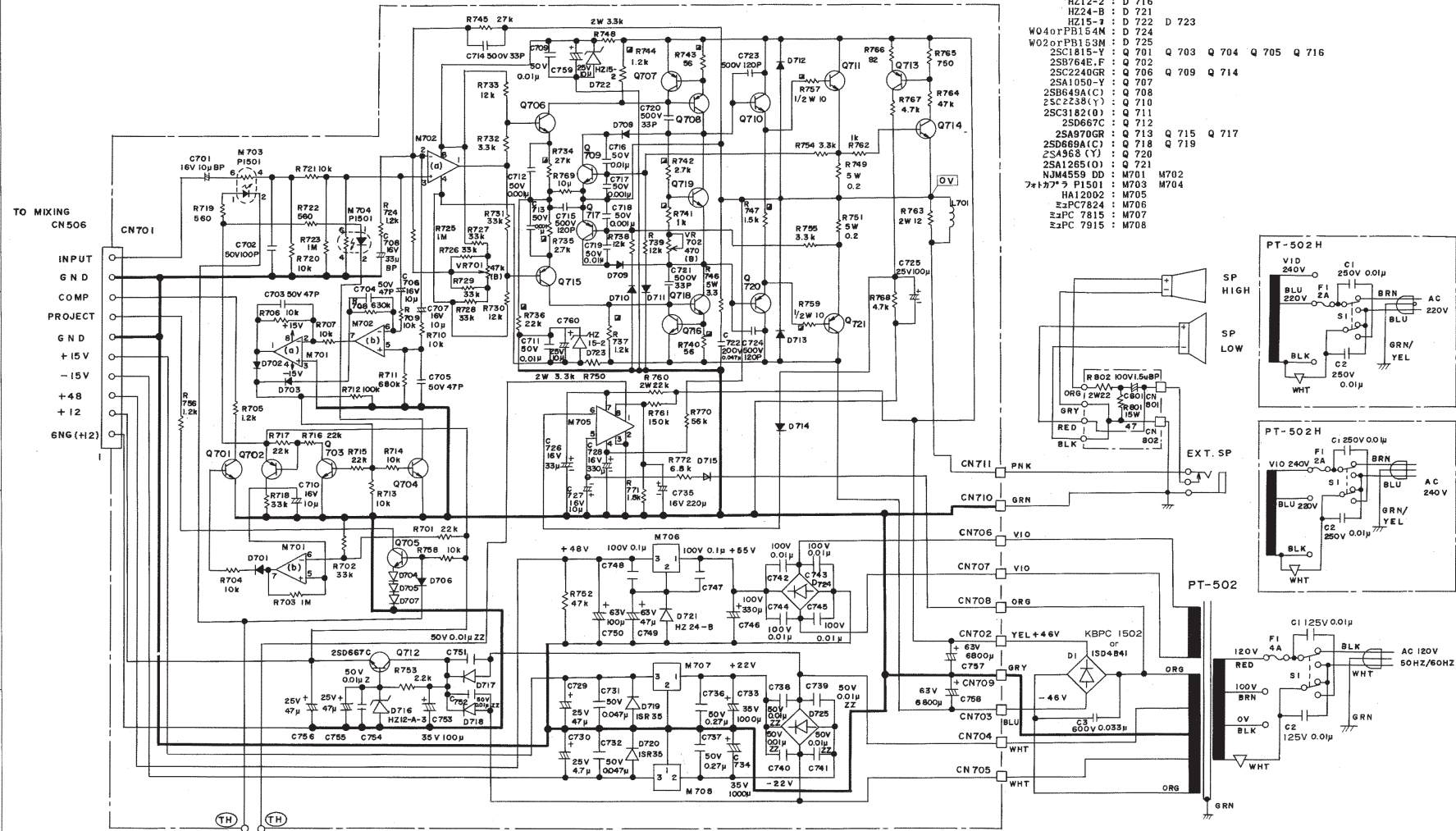


- M1~M8, M10, M11 : NJM4558DD
- M9, M12, M13 : NJM4556DE
- D101~104, D201~204
- D301~304, D401~404 : 1S2473
- D501~521

RESISTANCE VALUES ARE IN OHMS, 1/4WATT  
 CAPACITANCE VALUES ARE IN FARADS,  
 50V UNLESS OTHERWISE DESIGNATED  
 \*METAL FILM RESISTOR, 1%

Power Section

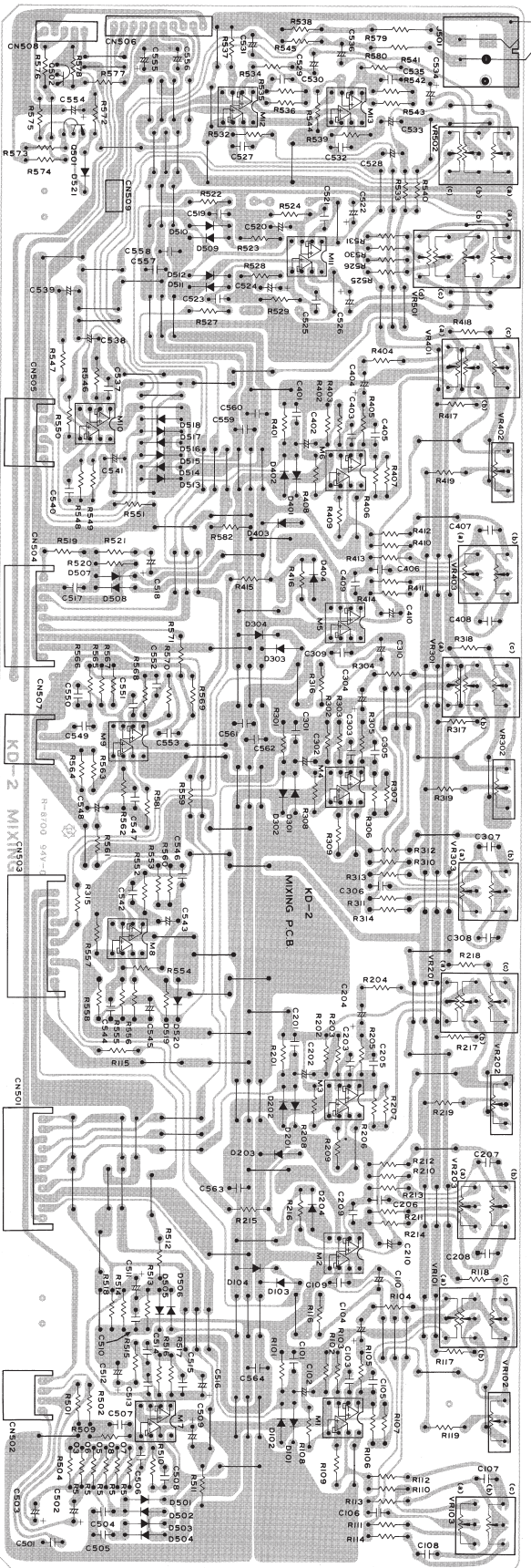
- 1S2473 : D 701 D 702 D 703 D 704 D 705  
D 706 D 707 D 708 D 709 D 710  
D 711
- 1N4004 : D 712 D 713
- 1SR35-200A : D 714 D 715 D 717 D 718 D 719  
D 720  
D 716
- HZ12-2 : D 716
- HZ24-B : D 721
- HZ15-3 : D 722 D 723
- W040rPB154M : D 724
- W020rPB153M : D 725
- 2SC1815-Y : Q 701 Q 703 Q 704 Q 705 Q 716
- 2SB764E-F : Q 702 Q 709 Q 714
- 25C2240GR : Q 706
- 25A1050-Y : Q 707
- 25B649A(C) : Q 708
- 25C2238(Y) : Q 710
- 25C3182(O) : Q 711
- 25D667C : Q 712
- 25A870GR : Q 713 Q 715 Q 717
- 25D668A(C) : Q 718 Q 719
- 25A968 (Y) : Q 720
- 25A1265(O) : Q 721
- NUM4559 DD : M701 M702
- 74177P : F1501 M703 M704
- HA120D2 : M705
- PC7824 : M706
- PC 7815 : M707
- PC 7915 : M708



RESISTANCE VALUES ARE IN OHMS 1/4WA  
CAPACITANCE VALUES ARE IN FARADS,  
50V UNLESS OTHERWISE DESIGNATED  
■:METAL FILM RESISTOR, 1%

## 7. MOUNTING DIAGRAMS, KD-2

### MIXING PCB



### Parts List

Designator	Part Code	Description	Designator	Part Code	Description	Designator	Part Code	Description
M7-8, 11	1110609330	IC, OP-AMP, NM4658D-D	C110, 210, 310	1130284160	CAPACITOR, 22MF BP, 16V	CS53	1130304410	CAPACITOR, 0.1MF, 50V
M9, 12, 13	1110696420	IC, NM4658D-E	C410, 541	1130284160	CAPACITOR, 22MF BP, 16V	CS54	1130264500	CAPACITOR, 0.47MF, 16V
Q801, 802	1111010990	TRANSISTOR, 2SA93-R	CS01, 514	1130302300	CAPACITOR, 0.01MF, 50V	CS57, 564	1130262300	CAPACITOR, 0.01MF, 50V
D101, 104	1110313260	DIODE, 1S2473	CS02, 503	1130284160	CAPACITOR, 22MF BP, 16V	HE79, 580	1130260870	RESISTOR, 100 OHM, 1W
D901, 904	1110313260	DIODE, 1S2473	CS06, 508, 510	1130284160	CAPACITOR, 22MF BP, 16V	D101, 101, 301	1120207070	POT., 10K OHM (A)
D401, 404	1110313260	DIODE, 1S2473	CS09, 511, 516	1130284160	CAPACITOR, 22MF BP, 16V	VH101, 101, 301	1120422330	POT., 10K OHM (A)
D501, 521, 301	1110313260	DIODE, 1S2473	CS12, 521, 525	1130284160	CAPACITOR, 22MF BP, 16V	VH102, 202, 302	1120422330	POT., 10K OHM (A)
C401, 501	1130280880	CAPACITOR, 150PF, 50V	CS13, 524, 528	1130280880	CAPACITOR, 150PF, 50V	VH402, 203, 303	1120422330	POT., 10K OHM (A)
C102, 202, 302	1130290550	CAPACITOR, 0.47MF, 50V	CS14, 529, 532	1130280880	CAPACITOR, 150PF, 50V	VH403, 204, 304	1120422330	POT., 10K OHM (A)
C402, 203, 303	1130290550	CAPACITOR, 0.47MF, 50V	CS15, 536, 538	1130280880	CAPACITOR, 150PF, 50V	VH501	1120206880	POT., 10K OHM (B)*2
C104, 204, 304	1130290550	CAPACITOR, 0.47MF, 50V	CS18, 545, 548	1130280880	CAPACITOR, 150PF, 50V	VH502	1120206880	POT., 10K OHM (B)*2
C106, 206, 306	1130290550	CAPACITOR, 0.47MF, 50V	CS19, 549	1130280880	CAPACITOR, 150PF, 50V	J501	123020740	JACK, PHONE, HLJ5317-01
C107, 108	1130303750	CAPACITOR, 0.022MF, 50V	CS18, 550, 552	1130280880	CAPACITOR, 150PF, 50V	CN603	123020740	JACK, PHONE, HLJ5317-01
C107, 208	1130303750	CAPACITOR, 0.022MF, 50V	CS19, 553	1130280880	CAPACITOR, 150PF, 50V	CN604	1230931940	CONNECTOR, 10P, D-OUT
C107, 308	1130303750	CAPACITOR, 0.022MF, 50V	CS21, 556, 558	1130280880	CAPACITOR, 150PF, 50V	CN605	1230931940	CONNECTOR, 10P, D-OUT
C407, 408, 508	1130303750	CAPACITOR, 0.022MF, 50V	CS23, 568, 569	1130280880	CAPACITOR, 150PF, 50V	CN606	1232621940	CONNECTOR, 10P, 2501P10
C109, 209, 309	1130307800	CAPACITOR, 82PF, 50V	CS24, 547	1130280880	CAPACITOR, 150PF, 50V	CN607	1232621940	CONNECTOR, 10P, 2501P10
			CS25, 547	1130280880	CAPACITOR, 150PF, 50V	CN608	1232620840	CONNECTOR, 2P, 2501P02
			CS51	1130306920	CAPACITOR, 47PF, 50V	CN609	1220118030	PLASTIC TUBING (5MM)
			CS52	1130306920	CAPACITOR, 47PF, 50V			