

MESA/BOOGIE[®]

F-50[™]

F 50**FRONT PANEL**

CHANNEL 1		
Control Function	Type	Mesa Part#
Green LED	Lens	703300
	LED	395438
Gain	Pot	591842
	Knob	408015
Treble	Pot	593148
	Knob	408015
Middle	Pot	593736
	Knob	408015
Bass	Pot	593148
	Knob	408015
Reverb	Pot	593150
	Knob	408015
Master	Pot	592738
	Knob	408015

CHANNEL 2		
Control Function	Type	Mesa Part#
Red LED	Lens	703300
	LED	395753
Gain	Pot	593739
	Knob	408015
Treble	Pot	592738
	Knob	408015
Middle	Pot	593737
	Knob	408015
Bass	Pot	593739
	Knob	408015
Reverb	Pot	593150
	Knob	408015
Master	Pot	592794
	Knob	408015

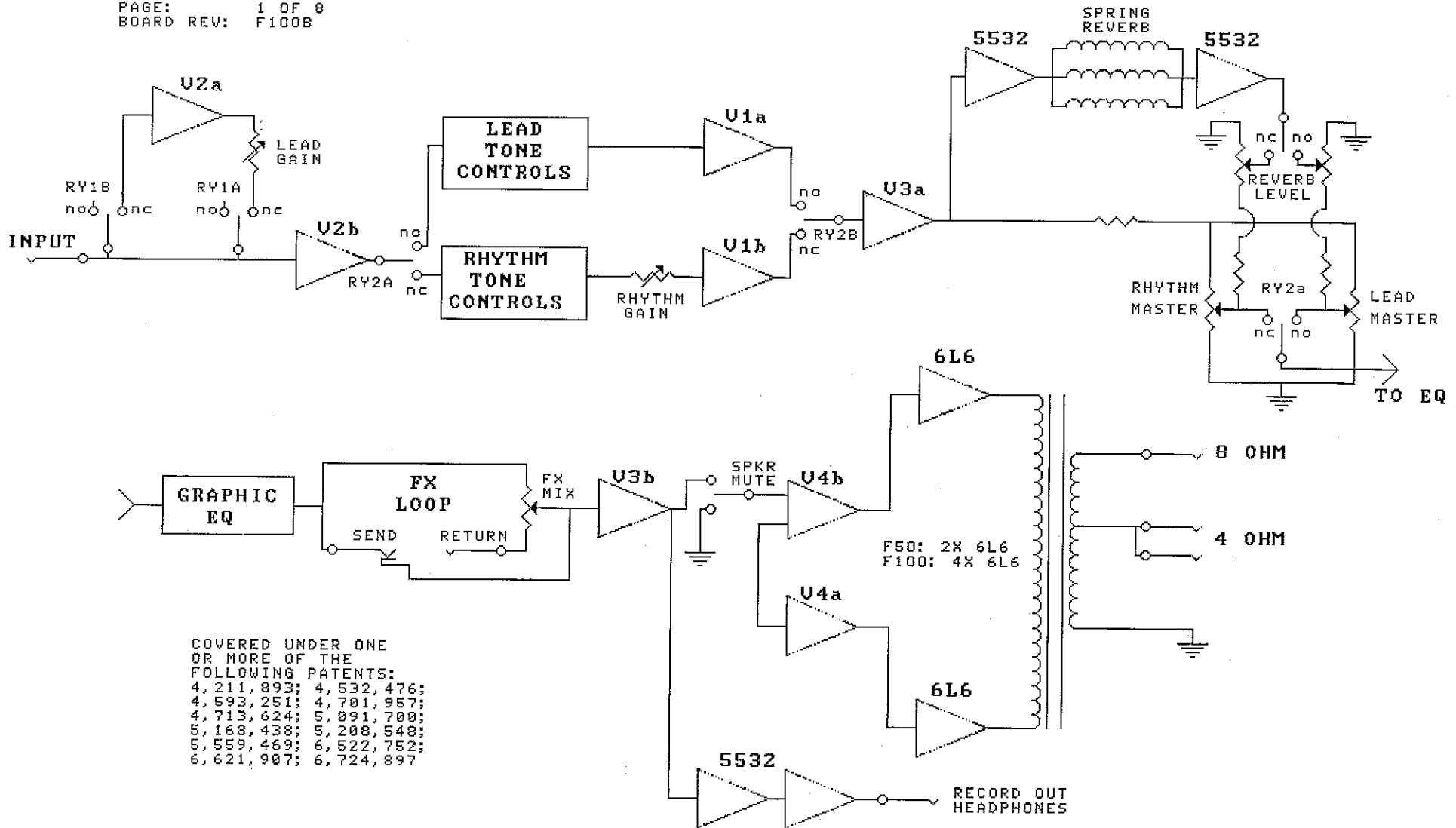
MISC PARTS		
Control Function	Type	Mesa Part#
Input	Jack	610120
Channel Select	Switch	607313
Pilot Light	Light	703047
	Lens	703782
	Light Holder	703850
Standby	Switch	601073
Power	Switch	601073

REAR PANEL			
MISC PARTS			
Control Function	Type	Mesa Part#	
Fuse Holder	Domestic	Cap/Holder	790347
		Fuse	790200
	Export	Cap/Holder	790346
		Fuse	795101
Record/Phones	Jack	619100	
FX Loop	Mix Level	Pot	593737
		Knob	408004
	Send Return	Jack	619100
		Jack	619100
Speaker Mute	Switch	600115	
Speaker Outs(3)	Jack	619100	
AC	Jack	613713	
Footswitch	Jack	613615	

MESA/BOOGIE F50/F100

BLOCK DIAGRAM

FILE: F50BLK.S01
 DATE: FEB 1 2005
 DRAWN BY: JOHN M
 PAGE: 1 OF 8
 BOARD REV: F100B

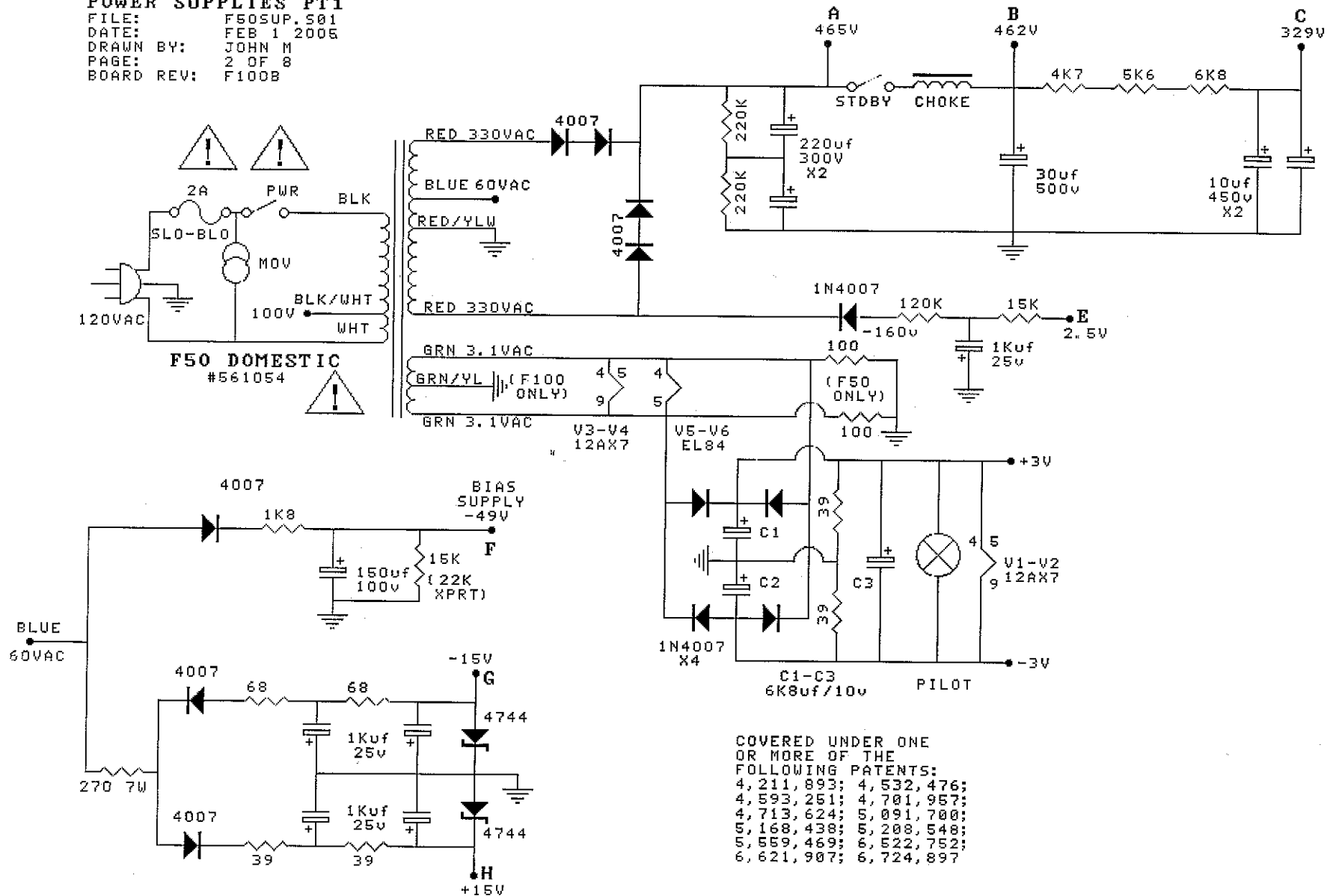


COVERED UNDER ONE
 OR MORE OF THE
 FOLLOWING PATENTS:
 4,211,893; 4,532,476;
 4,593,251; 4,781,957;
 4,713,624; 5,091,700;
 5,168,438; 5,208,548;
 5,559,469; 6,522,752;
 6,621,987; 6,724,897

MESA/BOOGIE F50/F100

POWER SUPPLIES PT1

FILE: F50SUP.S01
DATE: FEB 1 2005
DRAWN BY: JOHN M
PAGE: 2 OF 8
BOARD REV: F100B

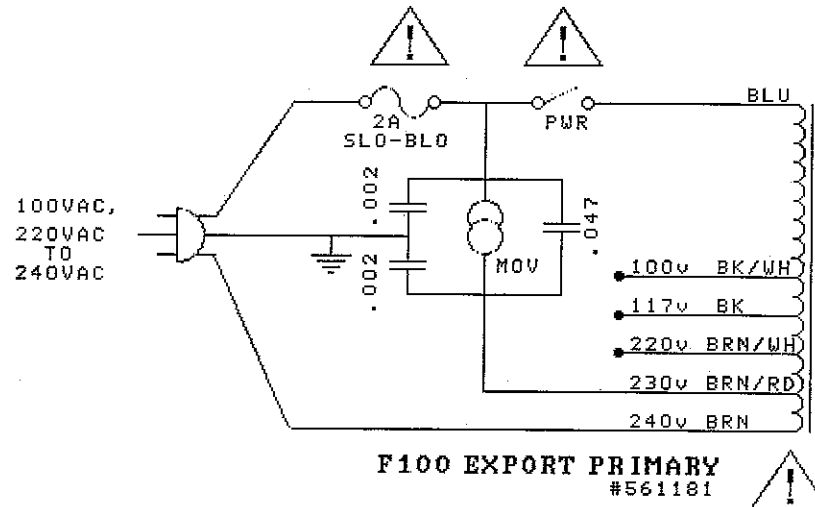
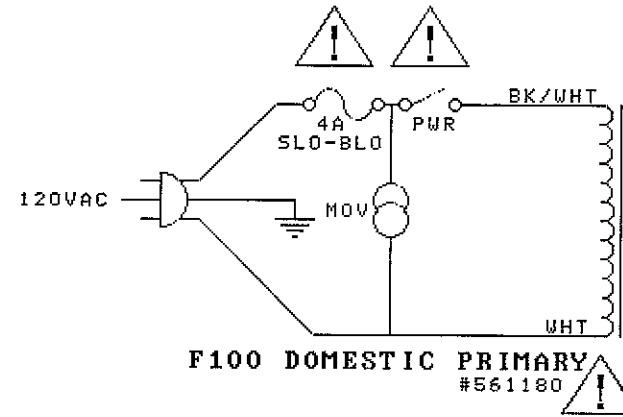
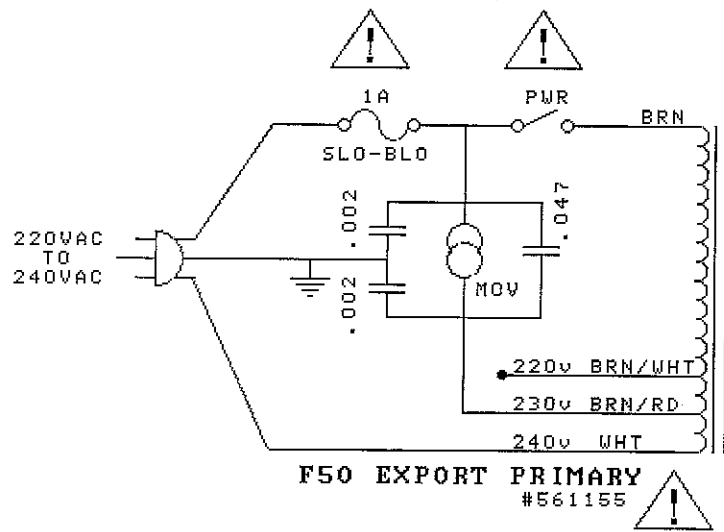


COVERED UNDER ONE
OR MORE OF THE
FOLLOWING PATENTS:
4,211,893; 4,532,476;
4,593,251; 4,701,957;
4,713,624; 5,091,700;
5,168,438; 5,208,548;
5,559,469; 6,522,752;
6,621,907; 6,724,897

MESA/BOOGIE F50/F100

POWER SUPPLIES PT2

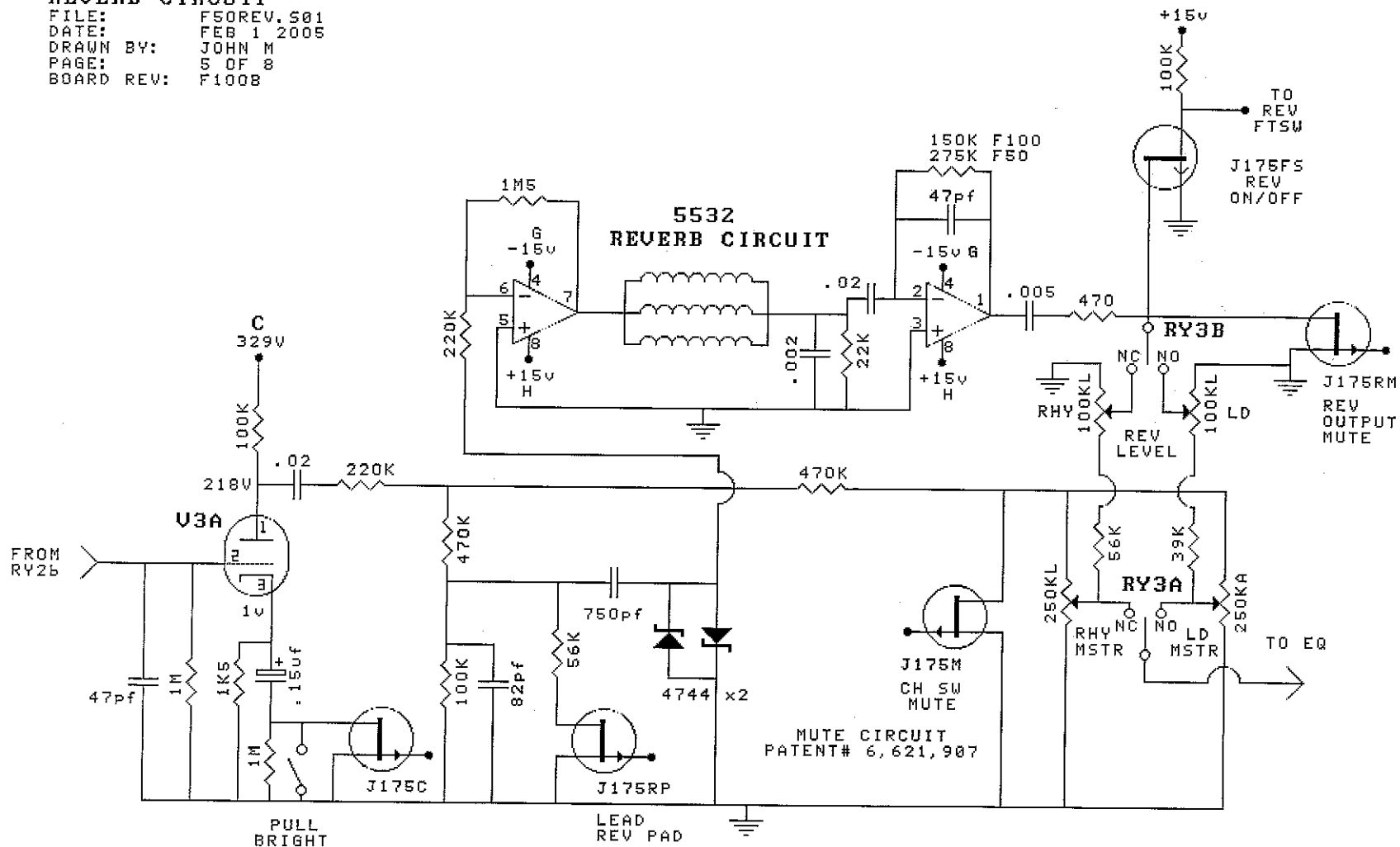
FILE: F50SUPA.S01
 DATE: FEB 1 2005
 DRAWN BY: JOHN M
 PAGE: 3 OF 8
 BOARD REV: F100B



MESA/BOOGIE F50/F100

REVERB CIRCUIT

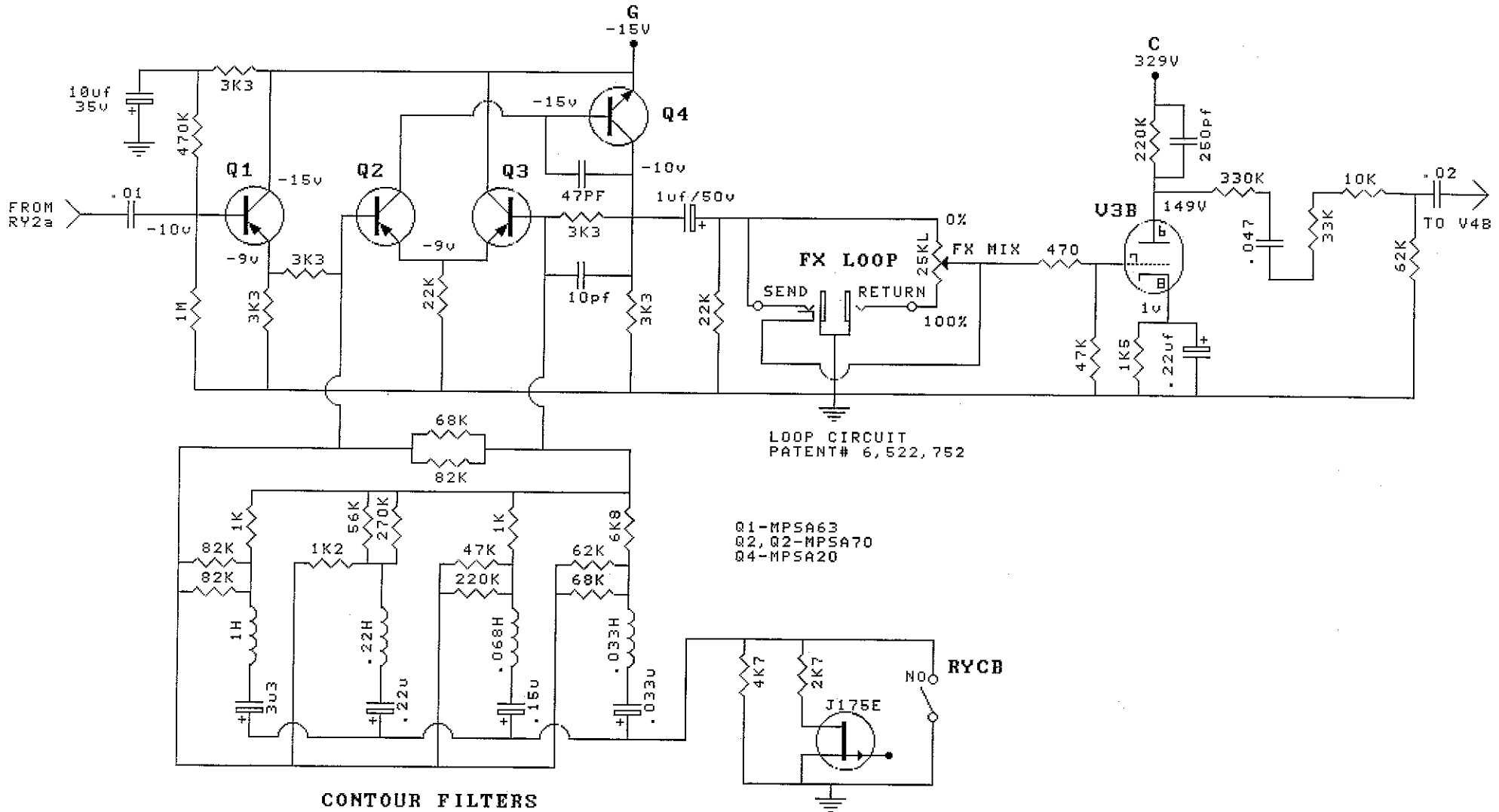
FILE: F50REV.S01
 DATE: FEB 1 2005
 DRAWN BY: JOHN M
 PAGE: 5 OF 8
 BOARD REV: F100B



MESA/BOOGIE F50/F100

EQ/FX LOOP

FILE: F50EQ.S01
 DATE: FEB 1 2005
 DRAWN BY: JOHN M
 PAGE: 6 OF 8
 BOARD REV: F100B



MESA/BOOGIE F50/F100

SWITCHING MATRIX

FILE: F50SW1.S01
 DATE: FEB 1 2005
 DRAWN BY: JOHN M
 PAGE: 8 OF 8
 BOARD REV: F100B

