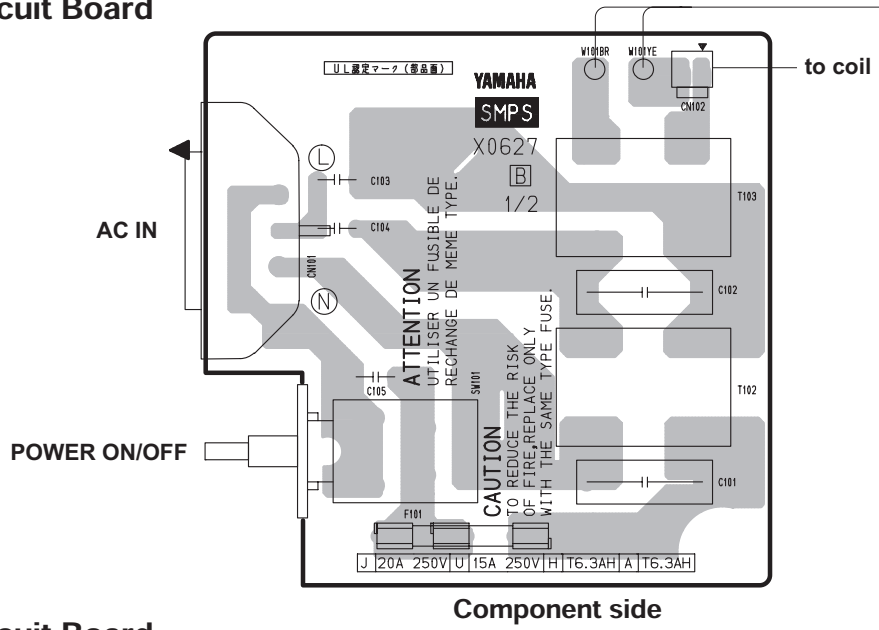


• SMPS 1/2 Circuit Board



• SMPS 2/2 Circuit Board

