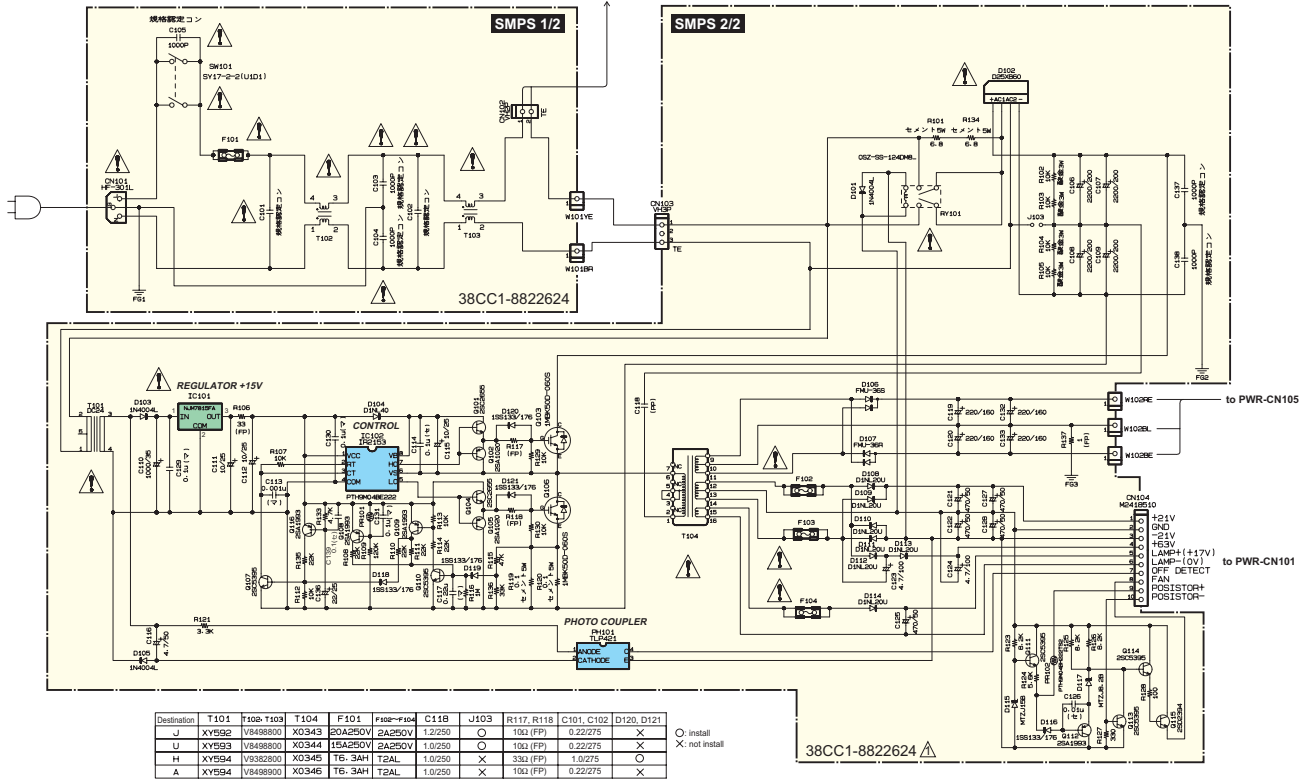


EMX5000-12/20 CIRCUIT DIAGRAM 8/9 (SMPS 1/2, SMPS 2/2)

EMX5000-12/20



Destination	T101	T102, T103	T104	F101	F102~F104	C118	J103	R117, R118	C101, C102	D120, D121	
J	XV952	V8498800	X0343	30A250V	2A250V	1.2/250	○	10k (FP)	0.22/275	X	○: Install
U	XV953	V8498800	X0344	15A250V	2A250V	1.0/250	○	10k (FP)	0.22/275	X	X: not install
H	XV954	V3322801	X0345	TB-3AH	T2AL	1.0/250	X	33k (FP)	1.0/275	○	
A	XV954	V8498900	X0346	TB-3AH	T2AL	1.0/250	X	10k (FP)	0.22/275	X	

⚠ F1 : Special characteristic