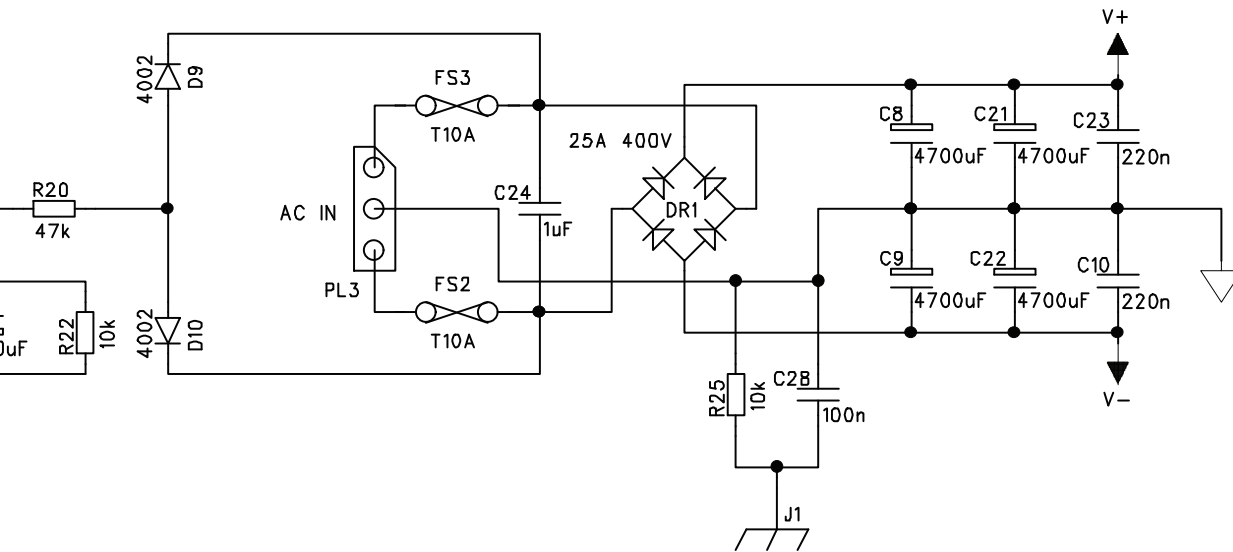


V-



COMPONENTS SHOWN FOR 400/500 WATT UNIT
FOR 300 WATT UNIT LEAVE OFF:- TR3,TR6,C21,C22