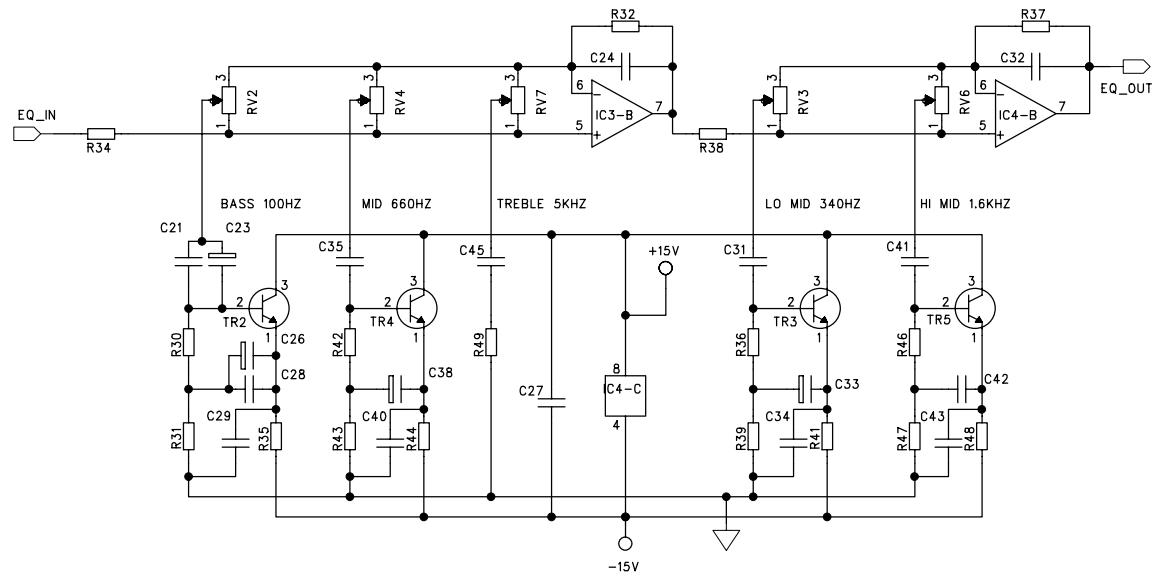


PCB = APC060

TITLE	PREAMP	ASHDOWN
PROJECT	ELECTRIC BLUE & MAG 2006	
DRAWING No	ACD060 Sheet 1 of 2	
ISSUE	B	
DATE	13/12/2006	
DRAWN BY	CLIVE BUTTON	TEL
		FAX



COMPONENTS USED ARE OF AN APPROVED TYPE AND MUST BE REPLACED ACCORDINGLY



TITLE
 PROJECT EQ
 DRAWING No. ELECTRIC BLUE & MAG
 ISSUE APC060 Sheet 2 of 2
 DATE B
 13/12/2006
 DRAWN BY CLIVE BUTTON

ASHDOWN

.
 . ENGLAND
 .