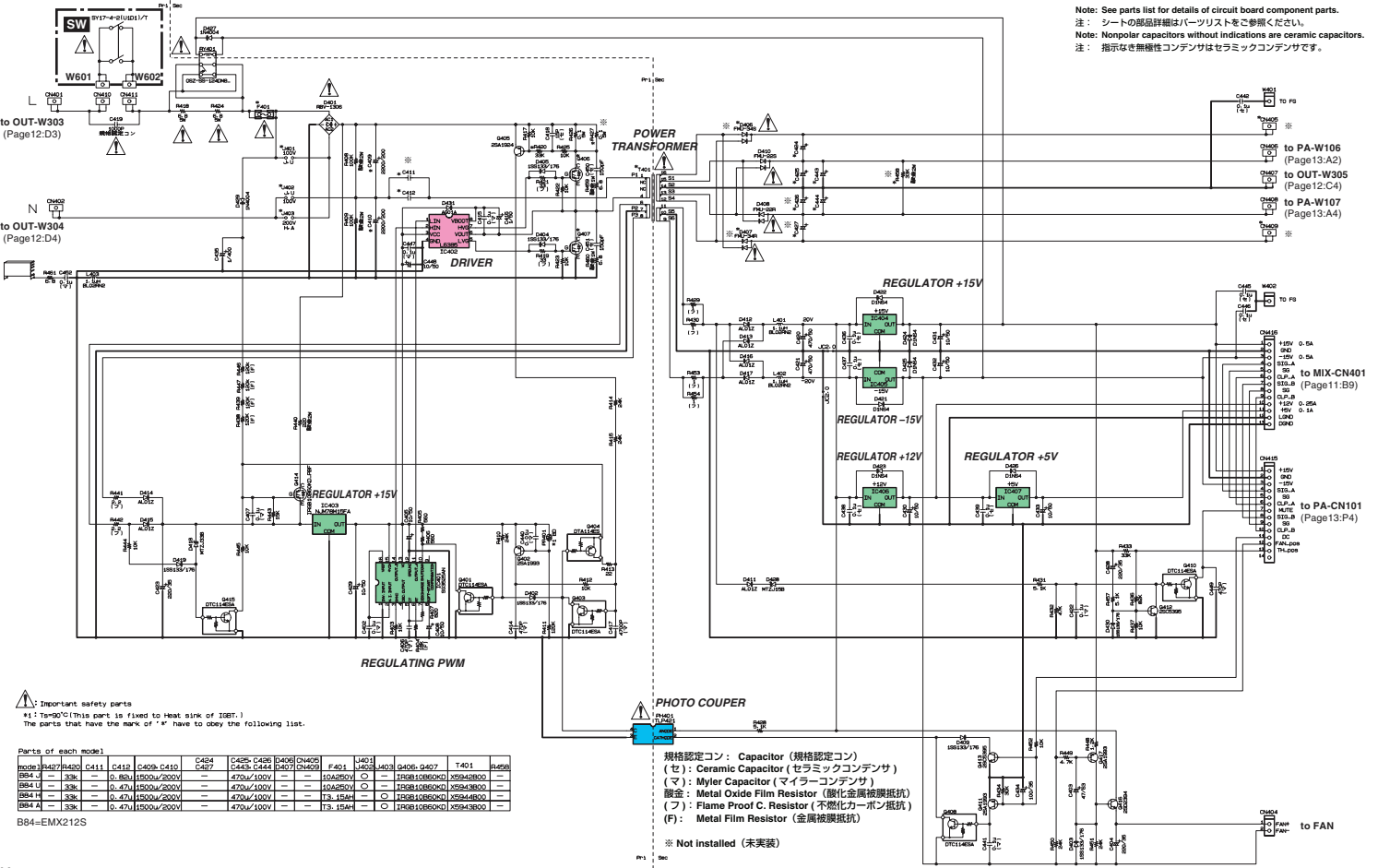


PS & SW CIRCUIT DIAGRAM (EMX212S)

EMX212S



Note: See parts list for details of circuit board component parts.
 注: シートの部品詳細はパーツリストをご参照ください。
 Note: Nonpolar capacitors without indications are ceramic capacitors.
 注: 指示なき無極性コンデンサはセラミックコンデンサです。

Important safety parts
 *1: To be confirmed if this part is fixed to heat sink of IGBT.
 The parts that have the mark of '*' have to obey the following list.

Parts of each model		C411	C412	C409, C410	C468	C467	C465, C468	C463, C464	C467, C469	F401	W401	W402	J403	Q405, Q407	T401	R456
B84	*	33k	—	0.88μ/150V/200V	—	470n/100V	—	10k/20V	○	—	1P6810560C	X5943800	—	—	—	—
B84 L	—	33k	—	0.47μ/150V/200V	—	470n/100V	—	10k/20V	○	—	1P6810560C	X5943800	—	—	—	—
B84 M	—	33k	—	0.47μ/150V/200V	—	470n/100V	—	13.1k/4V	○	—	1P6810560C	X5944800	—	—	—	—
B84 A	—	33k	—	0.47μ/150V/200V	—	470n/100V	—	13.1k/4V	○	—	1P6810560C	X5943800	—	—	—	—

B84=EMX212S

規格認定コン: Capacitor (規格認定コン)
 (セ): Ceramic Capacitor (セラミックコンデンサ)
 (マ): Mylar Capacitor (マイラーコンデンサ)
 酸化: Metal Oxide Film Resistor (酸化金属被膜抵抗)
 (フ): Flame Proof C. Resistor (不燃化カーボン抵抗)
 (F): Metal Film Resistor (金属被膜抵抗)
 ※ Not installed (未実装)