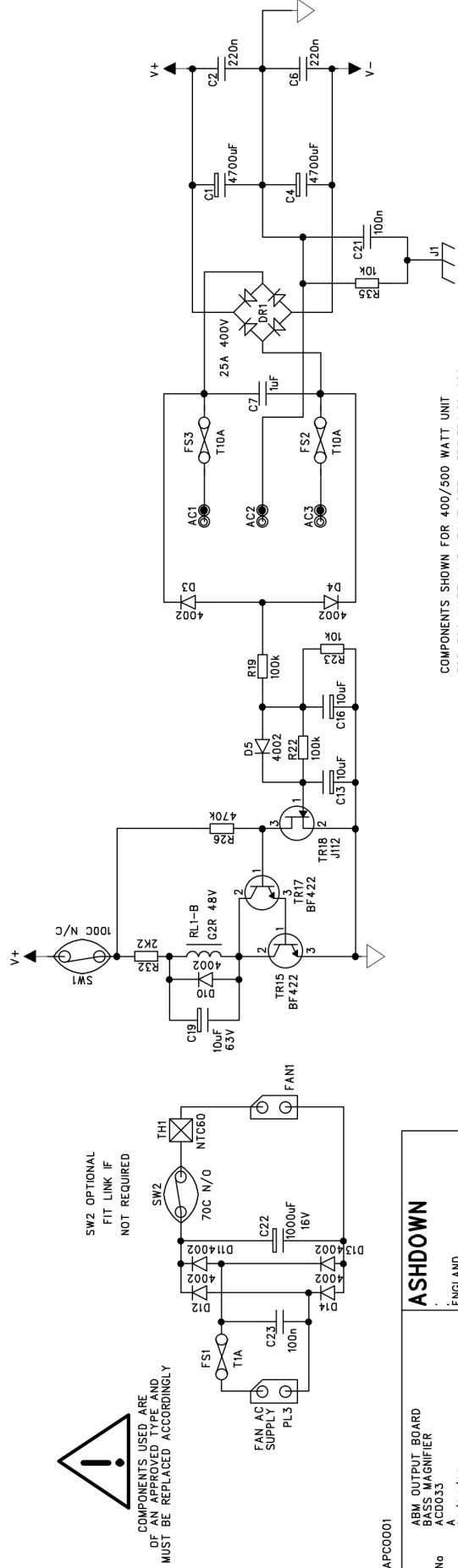
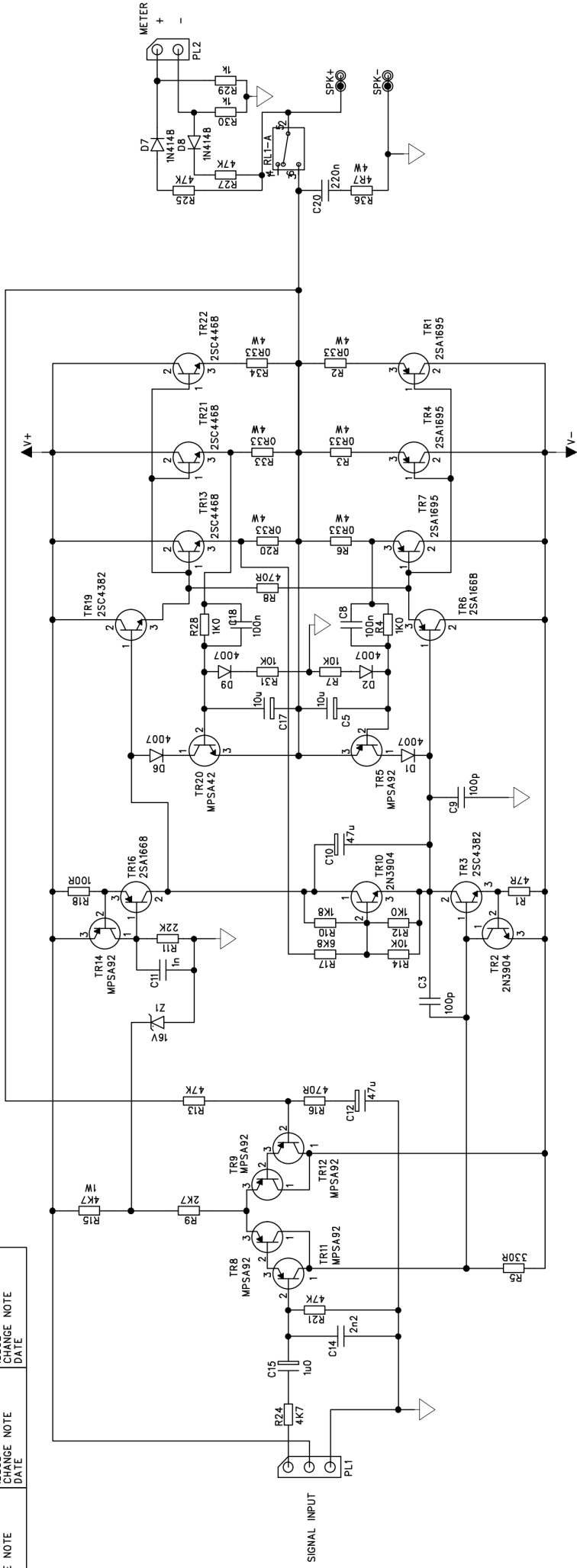


CHANGE NOTE DATE	CHANGE NOTE DATE	CHANGE NOTE DATE	CHANGE NOTE DATE



COMPONENTS USED ARE OF AN APPROVED TYPE AND MUST BE REPLACED ACCORDINGLY

SW2 OPTIONAL FIT LINK IF NOT REQUIRED

COMPONENTS SHOWN FOR 400/500 WATT UNIT FOR 300 WATT UNIT LEAVE OFF:- TR3,TR6,C21,C22

PCB = APC0001

ASHDOWN	
TITLE	ABM OUTPUT BOARD
PROJECT	BASS MAGNIFIER
ISSUING No	ACC033
DATE	26/04/02
DRAWN BY	CLIVE BUTTON
ENGLAND	TEL
	FAX