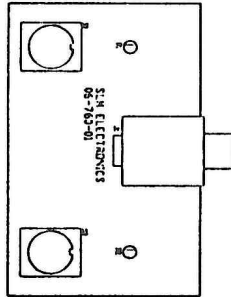


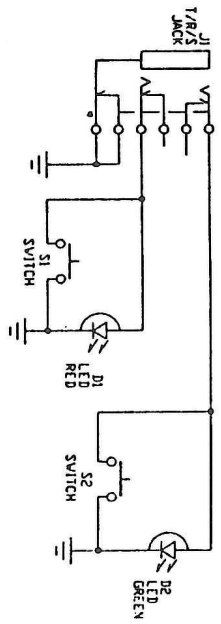
DESIGNATOR	PART #	DESCRIPTION
D1	21-S04-01	RED LED
J1	39-117-01	T/R/S JACK
S1	88-111-01	SWITCH

SIGNATURES:		DATE:	PROJECT NAME:	
DRAWN: MCA	06/13/84	06/13/84	CFP-1 FOOT SWITCH	
CHK'D: RC	6/24/84		DRAWING NAME:	
APP'D: RC	6/24/84		PCB PICTORIAL	
ORIGINAL ISSUED:	Z		DRAWING NO:	
PLOT DATE:	06/13/84		07-759-01	
PLOT TIME:	09:05:44		SCALE: 1:1 SHEET: 1 OF 1	
FILE NAME:	76001PQZ		REV: Z	

7980 BORGAN DR.
ST. LOUIS, MISSOURI
63140

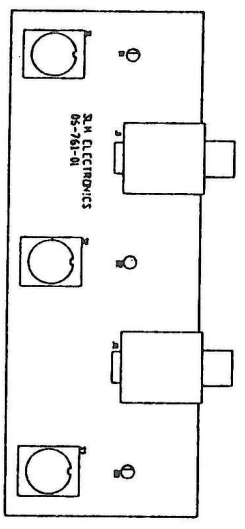


DESIGNATOR	PART #	DESCRIPTION
D1	21-504-01	RED LED
D2	21-505-01	GREEN LED
J1	39-117-01	T/R/S JACK
S1	88-111-01	SWITCH
S2	88-111-01	SWITCH

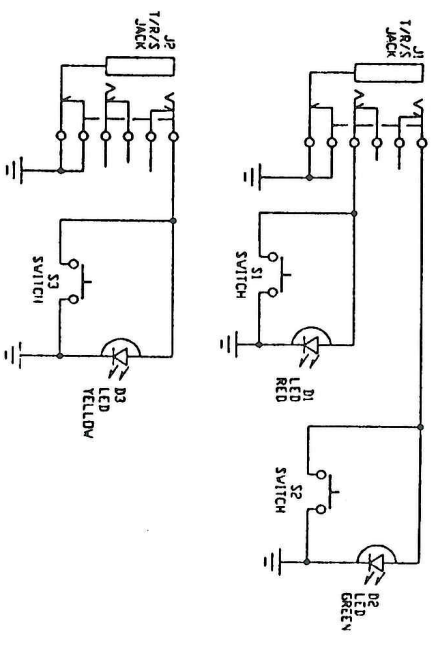


SIGNATURES:	DATE:	PROJECT NAME:
DRAWN: MGA	06/13/94	CFP-2 FOOT SWITCH
CHKD: R.C.	06/24/94	DRAWING NAME:
APP'D: R.C.	06/24/94	PCB PICTORIAL
ORIGINAL ISSUED:	06/24/94	DRAWING NO.:
PLOT DATE:	07:21:29	07-760-01
FILE NAME:	76001POV	SCALE: 1:1
		SHEET: 1 OF 1

THOMAS BORMANN DR.
871. LOUIS, MISSOURI
63108



DESIGNATOR	PART #	DESCRIPTION
D1	21-504-01	RED LED
D2	21-505-01	GREEN LED
D3	21-508-01	YELLOW LED
J1	39-117-01	T/R/S JACK
J2	39-117-01	T/R/S JACK
S1	88-111-01	SWITCH
S2	88-111-01	SWITCH
S3	88-111-01	SWITCH



SIGNATURES:		DATE:
DRAWN: MGA		06/13/94
CHK'D: R.C.		06/24/94
APP'D: R.C.		06/24/94
ORIGINAL ISSUED:		06/24/94
PLOT DATE:		06/24/94
PLOT TIME:		07:25:53
FILE NAME:		76101POR
DRAWING NAME:		SCALE: 1:1
PCB PICTORIAL		SHEET: 1 OF 1
PROJECT NAME:		REV: 0
CFP-3 FOOT SWITCH		
7880 BORGESS DR. ST. LOUIS, MISSOURI 63128		