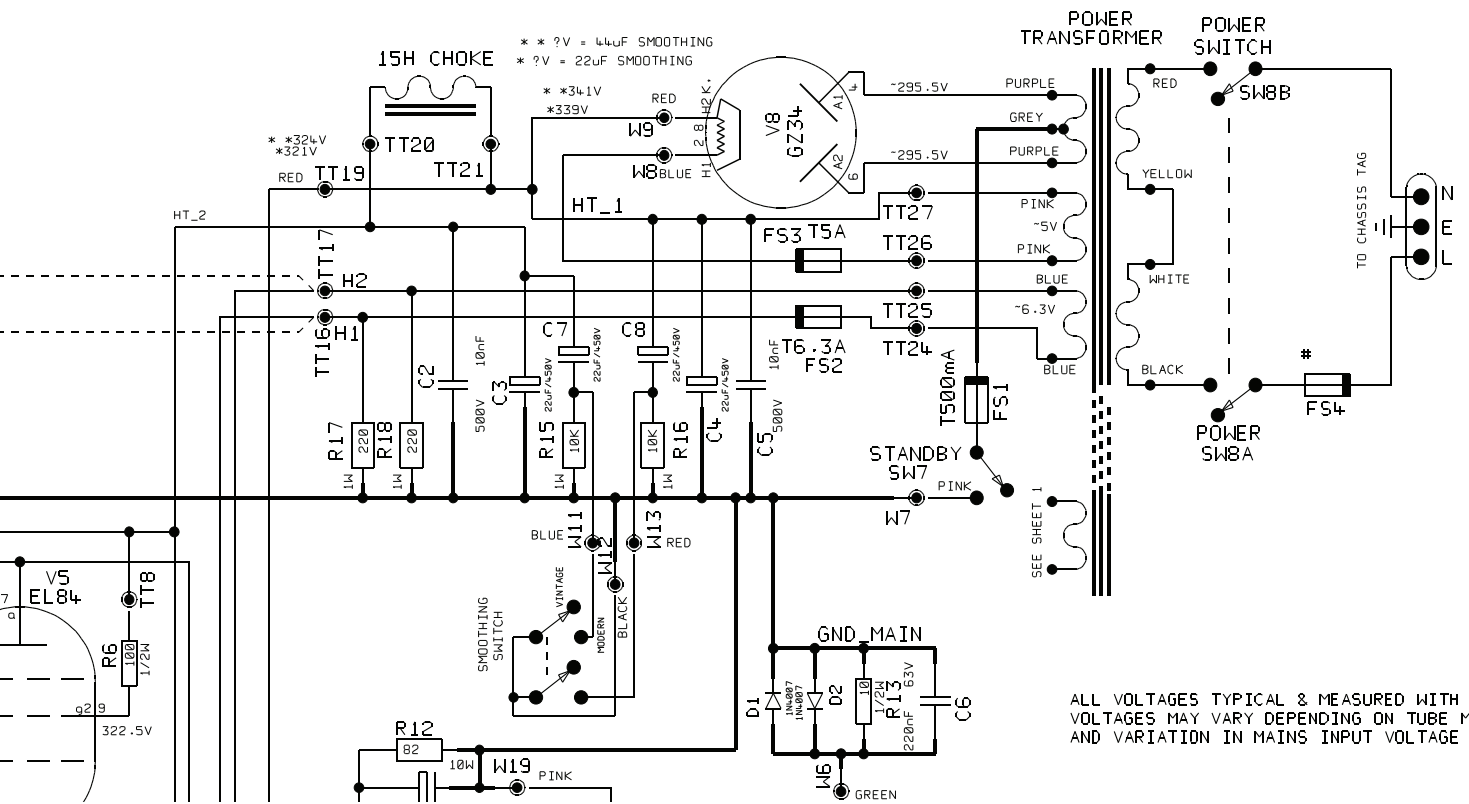


C | D | E | F | G



ALL VOLTAGES TYPICAL & MEASURED WITH 230V MAINS INPUT
 VOLTAGES MAY VARY DEPENDING ON TUBE MANUFACTURER TYPE
 AND VARIATION IN MAINS INPUT VOLTAGE & FREQUENCY