

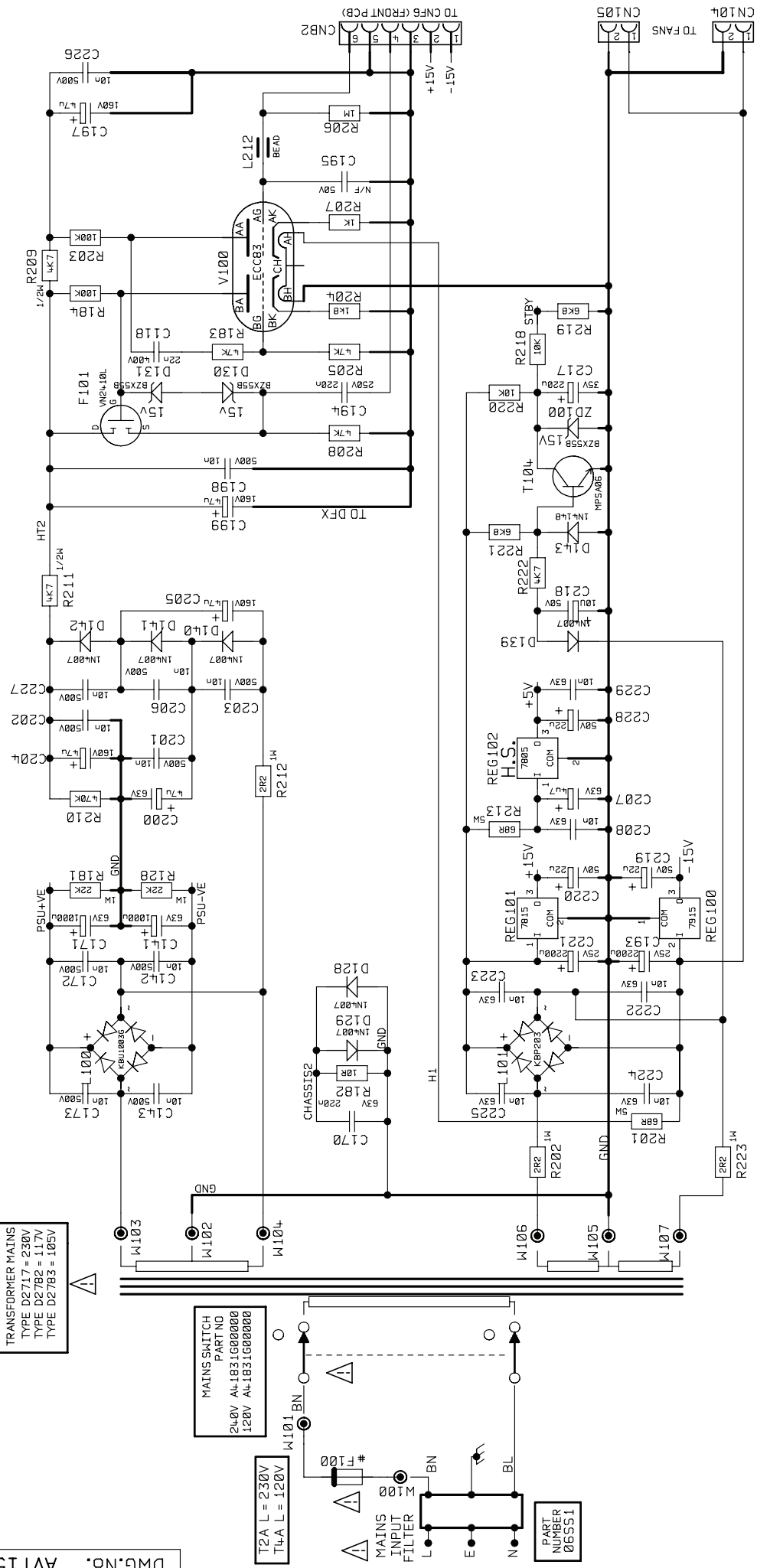
SAFETY CRITICAL COMPONENTS
 MUST BE REPLACED
 WITH THE SAME TYPE AND
 RATING ONLY.

TRANSFORMER MAINS
 TYPE D2717 = 230V
 TYPE D2782 = 117V
 TYPE D2783 = 185V

MAINS SWITCH
 PART NO
 240V AN1831G00000
 120V AN1831G00000

T2A L = 230V
 T4A L = 120V

PART
 NUMBER
 06551



Marshall

© ORIGINAL SPECIFICATION PCB'S, MK1, J04.
 REVISED MK2, MK3, MK4, MK5, MK6, MK7, MK8, MK9, MK10, MK11, MK12, MK13, MK14, MK15, MK16, MK17, MK18, MK19, MK20, MK21, MK22, MK23, MK24, MK25, MK26, MK27, MK28, MK29, MK30, MK31, MK32, MK33, MK34, MK35, MK36, MK37, MK38, MK39, MK40, MK41, MK42, MK43, MK44, MK45, MK46, MK47, MK48, MK49, MK50, MK51, MK52, MK53, MK54, MK55, MK56, MK57, MK58, MK59, MK60, MK61, MK62, MK63, MK64, MK65, MK66, MK67, MK68, MK69, MK70, MK71, MK72, MK73, MK74, MK75, MK76, MK77, MK78, MK79, MK80, MK81, MK82, MK83, MK84, MK85, MK86, MK87, MK88, MK89, MK90, MK91, MK92, MK93, MK94, MK95, MK96, MK97, MK98, MK99, MK100.

DMG.No. AVT150-61-02

SHIT. OF 4
 155

TITLE		DIMENSIONS IN	
BACK PCB CIRCUIT		TOLERANCE (UNLESS OTHERWISE STATED)	
MATERIAL THICKNESS		DATE	
DRAWN	A.G.	15-8-00	
CHECKED		DATE	
APPROVED		DATE	
MODEL AVT150/AVT150H			
AVT275			

ALL OTHER HOLES = X = (THROUGH PLATED)

ECO NUMBER	DATE	BY	REASON
1936	23-10-2000	A	E
1918	19-9-2000	B	F
ISS		C	G
		D	H
		E	I
		F	J
		G	K
		H	L
		I	M
		J	N
		K	P
		L	Q
		M	R
		N	S
		O	T
		P	U
		Q	V
		R	W
		S	X
		T	Y
		U	Z