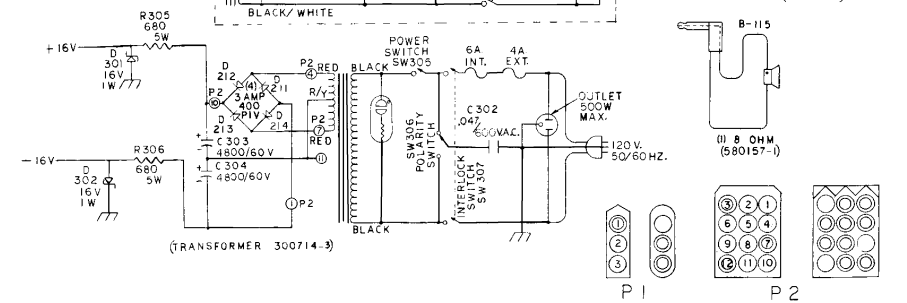
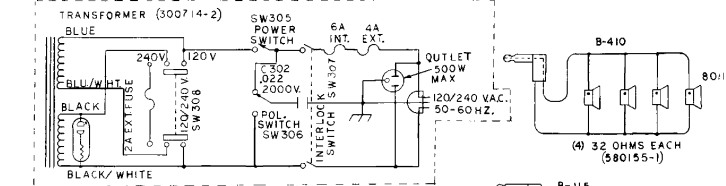
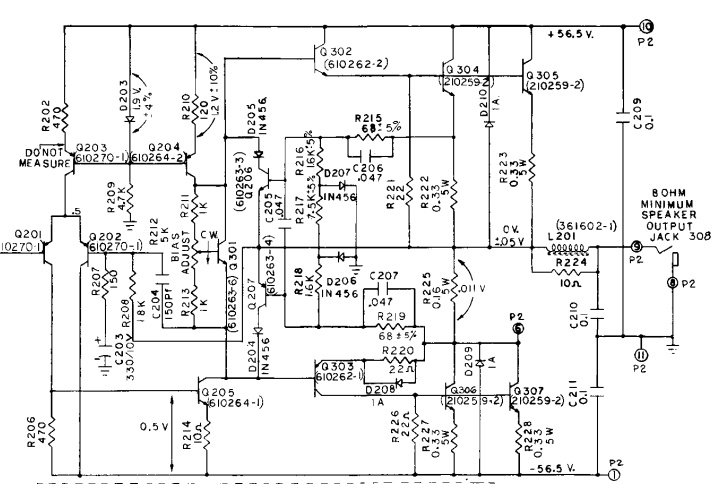


**NOTES:**

- ALL RESISTORS IN OHMS 1/2 W 10% UNLESS OTHERWISE SPECIFIED.
- ALL CAPACITORS IN MFD. AND 150 VOLT UNLESS OTHERWISE SPECIFIED.
- SEMICONDUCTORS ARE SELECTED. FACTORY REPLACEMENTS RECOMMENDED. UNSELECTED SEMICONDUCTORS MAY EXHIBIT IMPROPER OPERATION OR SHORT LIFE.
- CIRCUIT OF CHASSIS MAY VARY SLIGHTLY FROM THAT SHOWN HERE DUE TO NORMAL PRODUCTION CHANGES.
- NUMBERS IN PARENTHESES REFER TO MAGNAVOX PART NUMBERS.
- DC VOLTAGE READINGS WITH NO SIGNAL APPLIED USING A 20,000 OHM PER VOLT VOLTMETER AND ARE POSITIVE WITH RESPECT TO CHASSIS GROUND UNLESS OTHERWISE SPECIFIED.
- ADJUST R212 BIAS POT. TO READ .911 VOLTS D.C. WITH NO LOAD CONNECTED AND NO SIGNAL APPLIED ACROSS PINS 4 AND 9 OF OUTPUT CONNECTOR.
- INPUT SENSITIVITY WITH CONTROLS SET FOR FLAT FREQUENCY RESPONSE, IS 11.5 MILLIVOLTS RMS IN. FOR 28.28 VOLTS NOMINAL OUTPUT WITH VOLUME AT MAXIMUM. ACCEPTABLE OUTPUT LIMITS ARE 25.4 VOLTS TO 31.1 VOLTS.
- POWER OUTPUT SHOULD BE AT LEAST 120 WATTS RMS CONTINUOUS AT LESS THAN 0.2% T. H. D.

**SEMICONDUCTOR CROSS REFERENCE:**

IC 1	610265-1	RAYTHEON
IC 2	610265-2	RAYTHEON
Q201, Q202, Q203	610270-1	FAIRCHILD
Q204	610264-2	MOTOROLA
Q205	610264-1	MOTOROLA
Q206	610263-8	GE
Q207	610262-2	MOTOROLA
Q208	610262-1	MOTOROLA
Q209	610259-2	RAYTHEON



RELEASED BY: DATE: BY:	ADDITIONAL MAGNAVOX SPECIFICATIONS	MATERIAL	FINISH
	TOLERANCES UNLESS OTHERWISE SPECIFIED:	THE AMPEG COMPANY DIVISION OF THE MAGNAVOX COMPANY P.O. BOX 38, UNION, N.J. 07093	
	DIMINALS    1/16    1/32    1/64    1/8 INCHES    1/16    1/32    1/64    1/8 DECIMALS    0.005    0.010    0.020    0.050 FRACTIONS    1/16    1/32    1/64    1/8 ANGULAR TOL. ± 1/2°	MODELS <b>8115 &amp; 81410</b>	
	DO NOT SCALE DRAWING	SIGNATURE    DATE    DRAWN BY J. D. SIANO    2/7/73    J. D. SIANO CHECKED BY    DATE    DRAWN BY J. D. SIANO    2/7/73    J. D. SIANO SCALE    1:1	