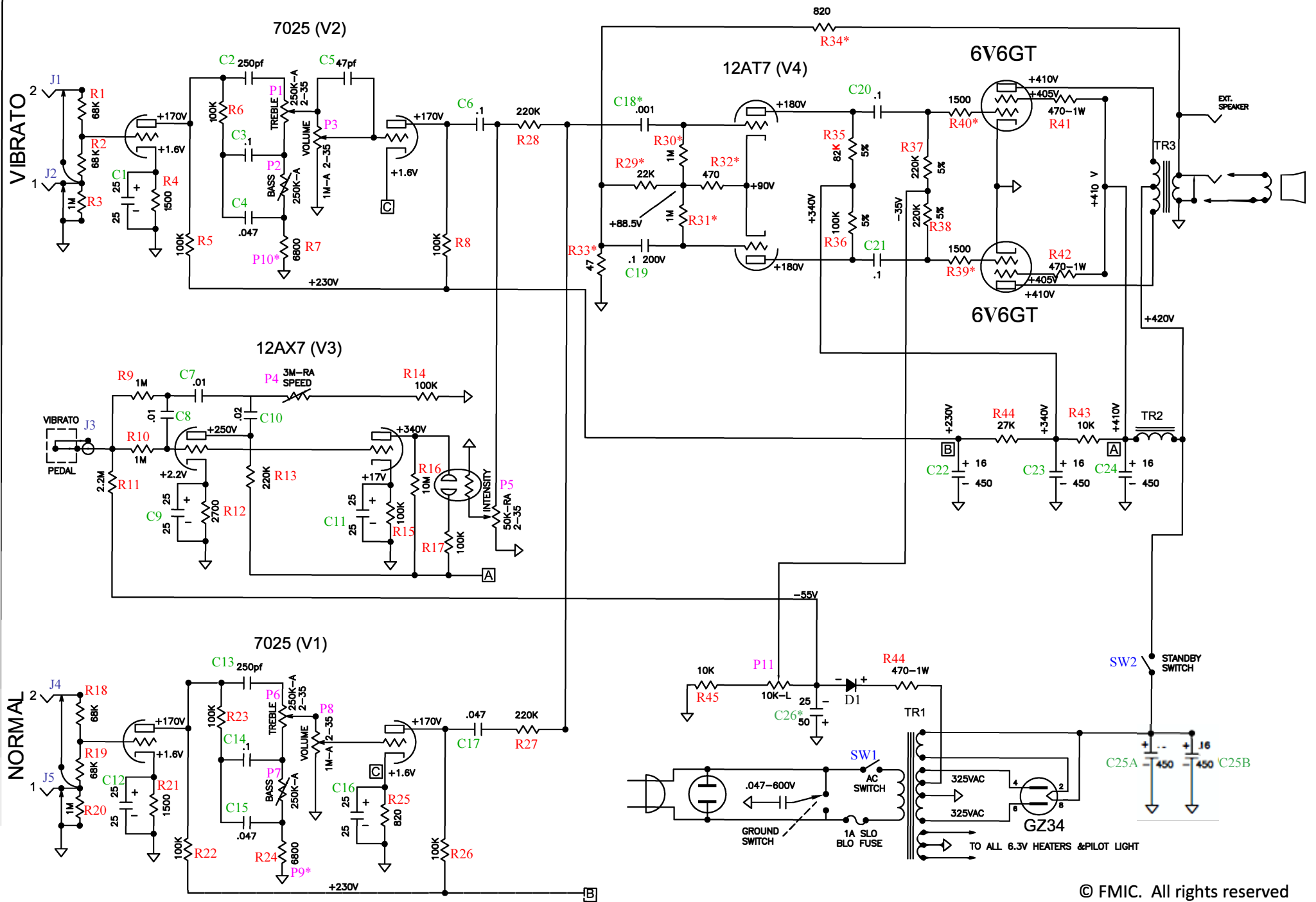


FENDER DELUXE AB763 SCHEMATIC

1. ALL RESISTORS $\frac{1}{2}$ WATT 10% TOLLERANCE IF NOT SPECIFIED.
2. ALL CAPACITORS AT LEAST 400 VOLTS RATING IF NOT SPECIFIED.
3. VOLTAGE READINGS SHOWN ARE + OR - 20%



Resistors			
Component ID	Value (ohms)	Power rating	Type
R1	68k	1/2W	
R2	68k	1/2W	
R3	1M	1/2W	
R4	1500		
R5	100K		
R6	6800		
R7	100K		
R8	220K		
R9	1M		
R10	1M		
R11	2.2M		
R12	2700		
R13	220K		
R14	100K		
R15	100K		
R16	10M		
R17	100K		
R18	68K		
R19	68K		
R20	1M		
R21	1500		
R22	100K		
R23	100K		

Component ID	Value (ohms)	Power rating	Type
R24	6800		
R25	820		
R26	100K		
R27	220K		
R28	220K		
R29	22K		
R30	1M		
R31	1M		
R32	470		
R33	47		
R34	820		
R35	82K		
R36	100K		
R37	220K		
R38	220K		
R39	1500		
R40	1500		
R41	470	1W	
R42	470	1W	
R43	10K		
R44	27K		
R45	470	1W	
R46	10K		

Capacitors			
Component ID	Value (uf/nf/pf)	Voltage rating	Type
C1	25uf	25v	Electrolytic (cathode)
C2	250pf	500v	ceramic
C3	.1uf	500v	sozo
C4	.047uf	500v	sozo
C5	47pf		ceramic
C6	.1uf		sozo
C7	.01uf		ceramic
C8	.01uf		ceramic
C9	25uf	25v	Electrolytic
C10	.02uf		ceramic
C11	25uf	25v	electrolytic
C12	25uf	25v	Electrolytic
C13	250pf		ceramic
C14	.1uf		sozo
C15	.047uf		sozo
C16	25uf	25v	electrolytic
C17	.047uf		sozo
C18	.01uf		sozo
C19	.1uf		sozo
C20	.1uf		sozo
C21	.1uf		sozo
C22	16uf	475v	electrolytic
C23	16uf	475v	electrolytic
C24	16uf	475v	electrolytic
C25	80uf	100v	Electrolytic (bias)
C26	16uf	475v	electrolytic
C27	16uf	475v	electrolytic

Switches		
Component ID	Type	
SW1	SPST bat	
SW2	SPST bat	

Potentiometers		
Component ID	Value	Function
P1	250K A	Treble
P2	250K A	Bass
P3	1M A	vol
P4	3M RA	Speed (tremolo)
P5	50K RA	Intensity
P6	250K A	treble
P7	250K A	bass
P8	1M A	Vol
P9		MID POT (Val?)
P10		MID POT (Val?)
P11	10K L	Bias pot

Diodes		
Component ID	Value	Rating
D1	1N4007	1000v