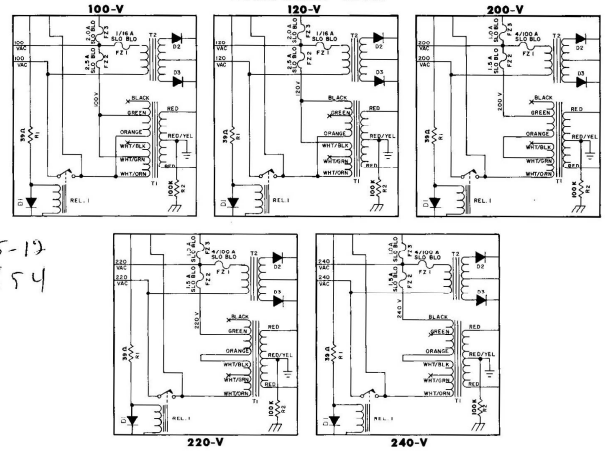


35-12
137454

EXPORT MODELS 50/60Hz
TRANSFORMER WIRING



- NOTES:
1. ALL POWER SUPPLY AND AMPLIFIER VOLTAGES ARE REFERENCED TO CIRCUIT GROUND UNLESS OTHERWISE INDICATED.
 2. CONTROL CIRCUIT ASSEMBLY VOLTAGES ARE REFERENCED TO CONTROL SUPPLY COMMON (P3, PIN#4).
 3. ALL DC VOLTAGES MEASURED WITH DC VTVM.
 4. ZERO AUDIO SIGNAL.
 5. P1-PIN#5 SHORTED TO PIN#6 FOR ALL TEST CONDITIONS.
 6. ○ SIGNAL VOLTAGE FOR 20 WATTS INTO SPECIFIED LOAD.
 7. ALL RESISTORS ARE 1/2 WATT 10% UNLESS NOTED OTHERWISE.
 8. GROUND SYMBOLS:
 - CHASSIS GROUND.
 - ⊥ CIRCUIT GROUND.

