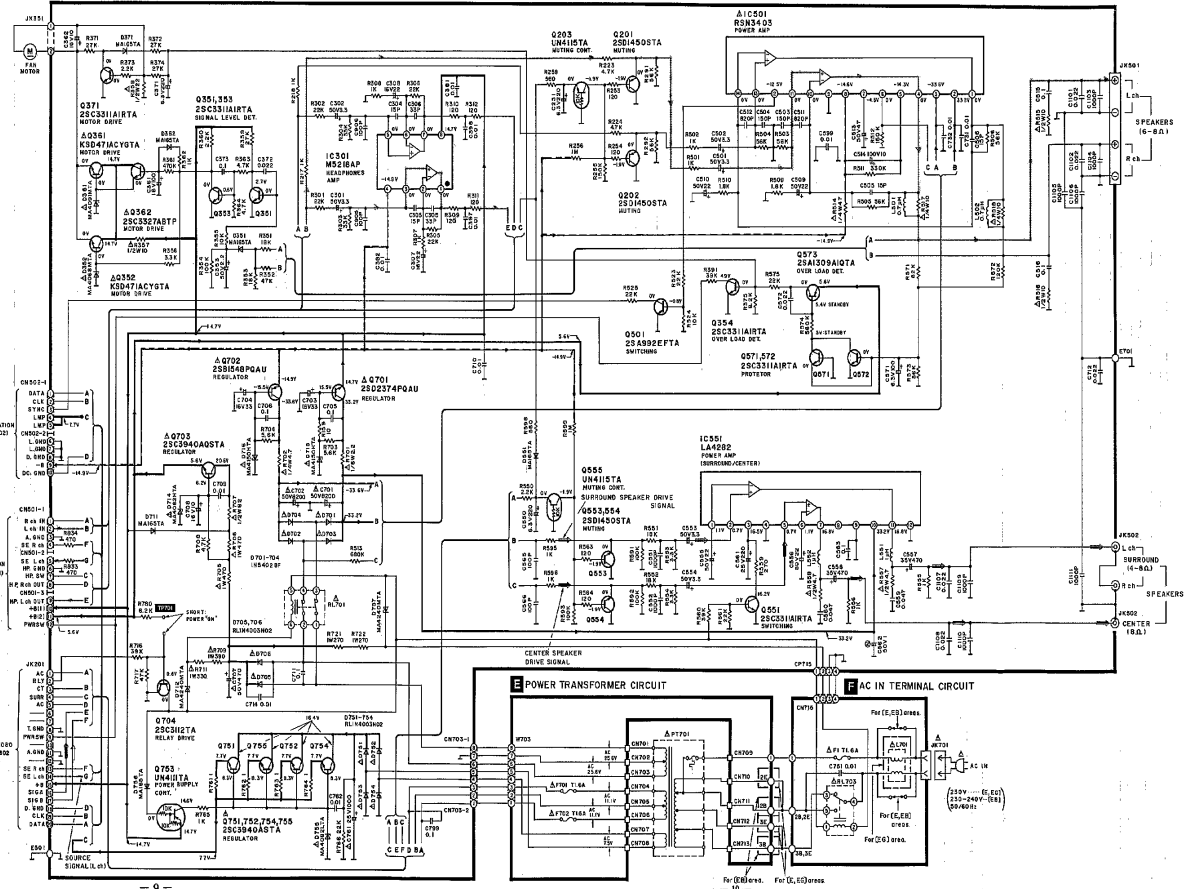
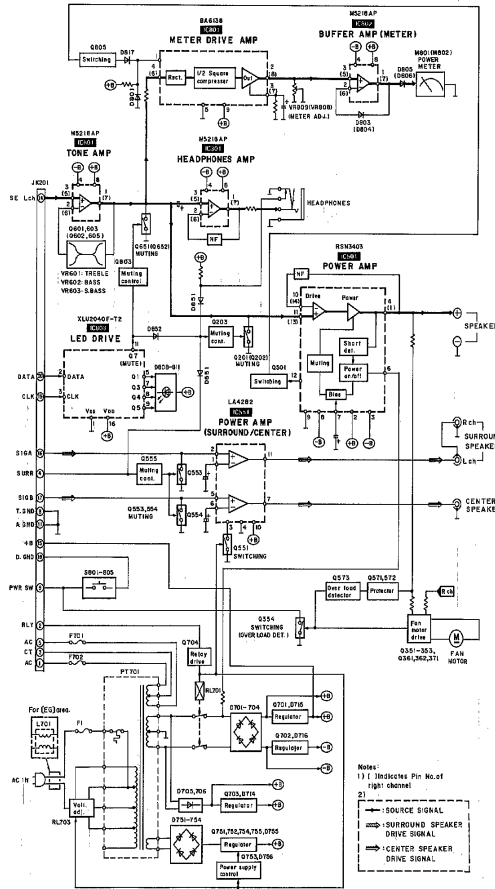
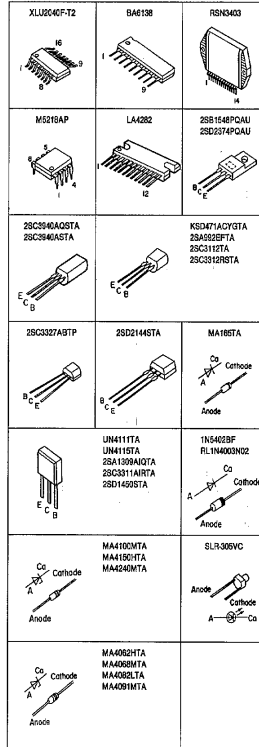


■ BLOCK DIAGRAM

D MAIN CIRCUIT (H.PHONES AMP/POWER AMP/MUTING/REGULATOR/FAN MOTOR DRIVE)



• Terminal guide of IC's, transistors and diodes



Notes:  
 1) 102 indicates Pin No. of IC's  
 2) SOURCE SIGNAL  
 SURROUND SPEAKER DRIVE SIGNAL  
 CENTER SPEAKER DRIVE SIGNAL