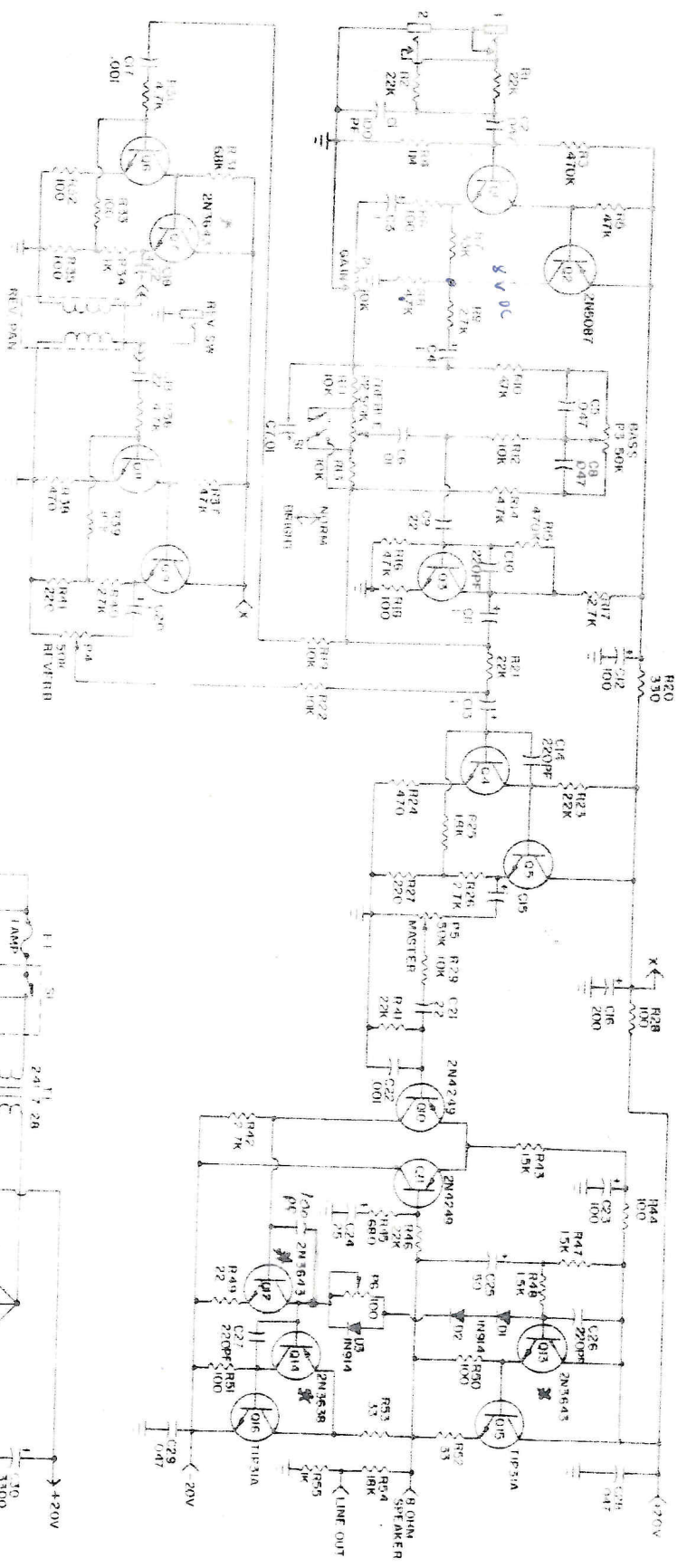


CR-1R SCHEMATIC

Date: 3-8-79

SLM ELECTRONICS
1400 FERGUSON
ST. LOUIS, MO. 63138

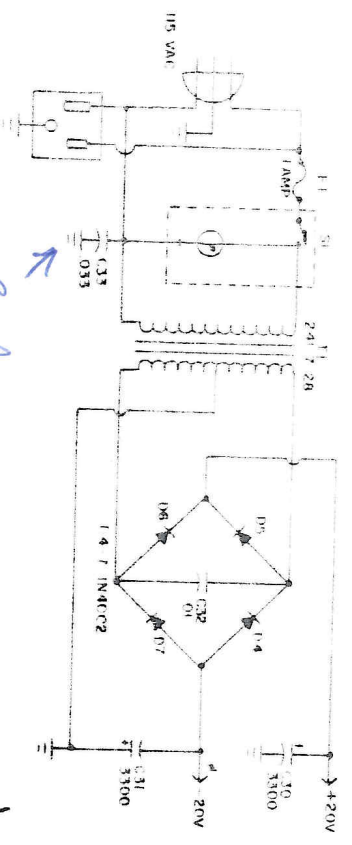
- NOTES:**
1. ALL UNMARKED TRANSISTORS 2N80GB
 2. ALL CAPACITORS IN MFD UNLESS OTHERWISE SPECIFIED
 3. 2N3643 IS REPLACED BY MPS-A06
 4. 2N3638 IS REPLACED BY MPS-A55
 5. PN4249 IS REPLACED BY 2N5087
 6. Set bias for 1.5 mv DC across R-52.
No input, no load, cold.



- NOTES:
1. ALL UNCHANGED TRANSISTORS PROVIDED
 2. ALL CAPACITANCES IN NFV UNLESS OTHERWISE SPECIFIED.

3. 2N3643 IS REPLACED BY MPS-A06
 4. 2N3638 IS REPLACED BY MPS-A55

5. PN4249 is replaced by 2N5087.
 6. Set bias for 1.5 mv DC across R-52.
 No input, no load, cold.



Repl w/ 047630V

CR-IR SCHEMATIC

DATE: 3-8-78

SLM ELECTRONICS

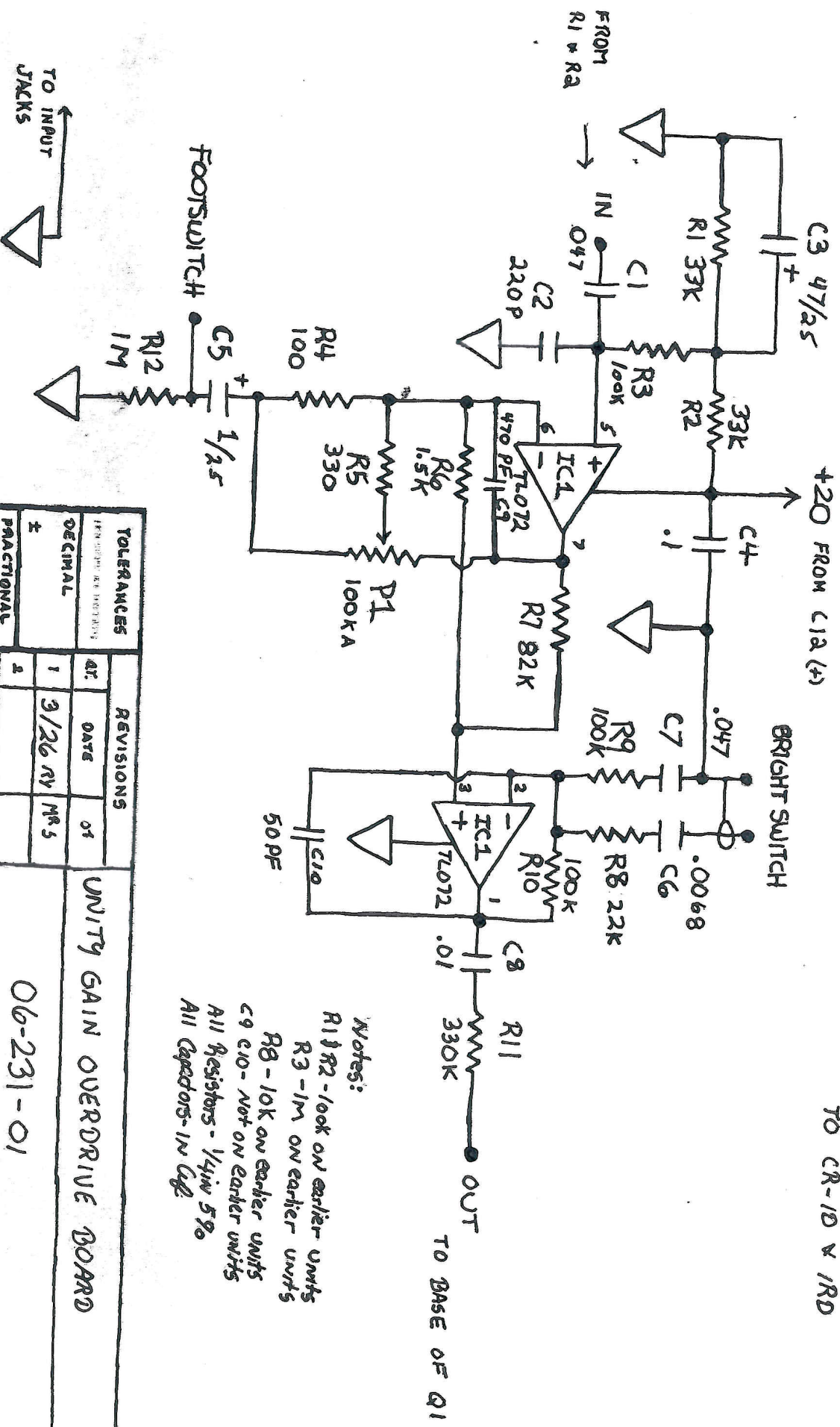
1400 FERGUSON

ST LOUIS, MO 63138

Left 2

Right 2

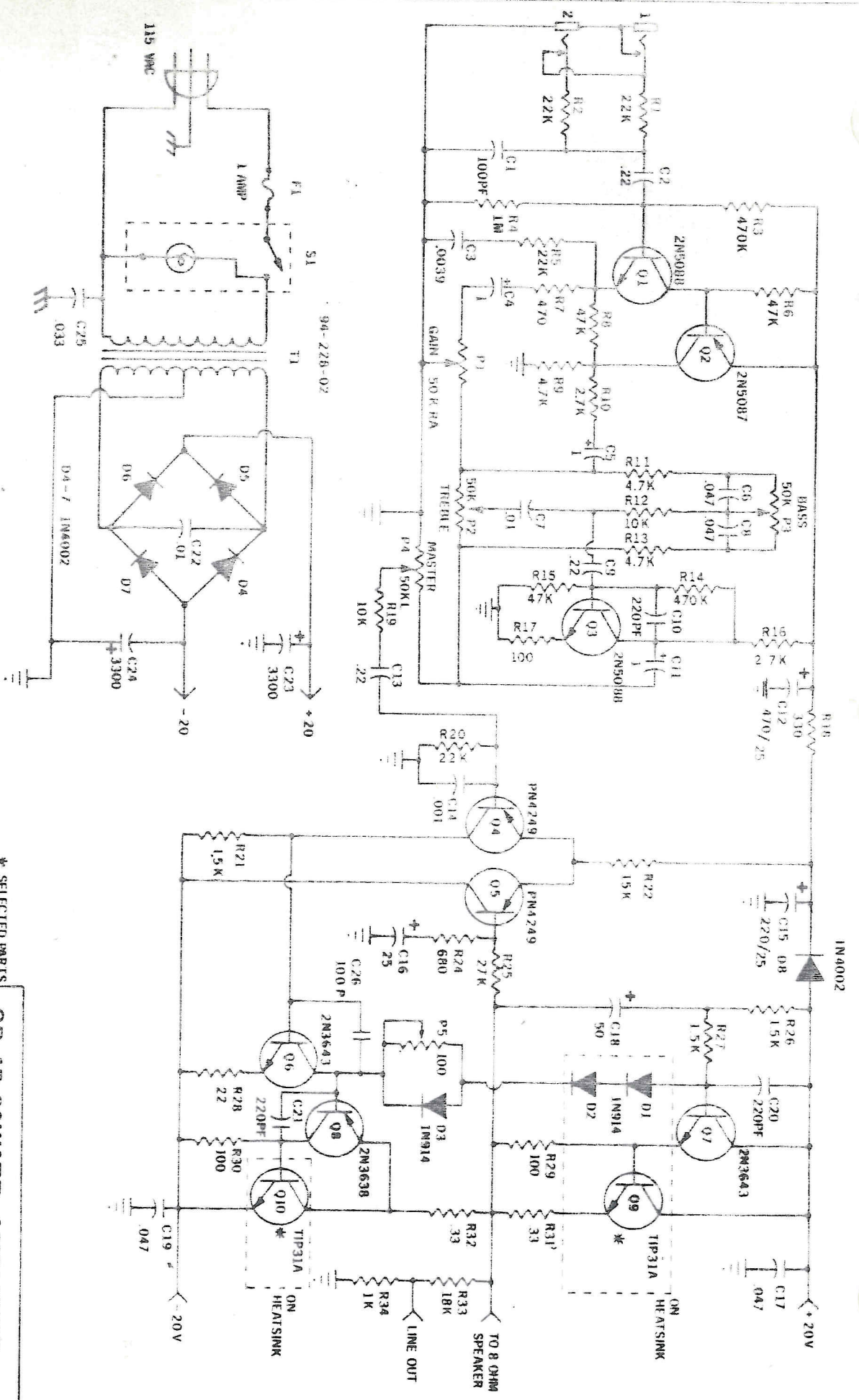
NOTE: CR-1 W/R DELETE C2
 * INSERT THIS CIRCUIT
 IN ITS PLACE TO CONVERT
 TO CR-10 W/RD



Notes:
 R1 & R2 - 100k on earlier units
 R3 - 1M on earlier units
 R8 - 10k on earlier units
 C9 C10 - Not on earlier units
 All Resistors - 1/4w 5%
 All Capacitors - 1w Cgl

TOLERANCES		REVISIONS		UNITY GAIN OVERRIDE BOARD	
±	1/2	DATE	BY	DATE	BY
±	1	3/26	RY	NR5	
±	2				
±	3				
±	4				
±	5				

DRAWN BY	SCALE
SJ	
CHIEF	DATE
TRACED	11-13-79



NOTE: PN4249 is replaced by 2N5087

2N3643 is replaced by MP3-A06

2N3638 is replaced by MP3-A55

Set bias for 1.5 mw DC across

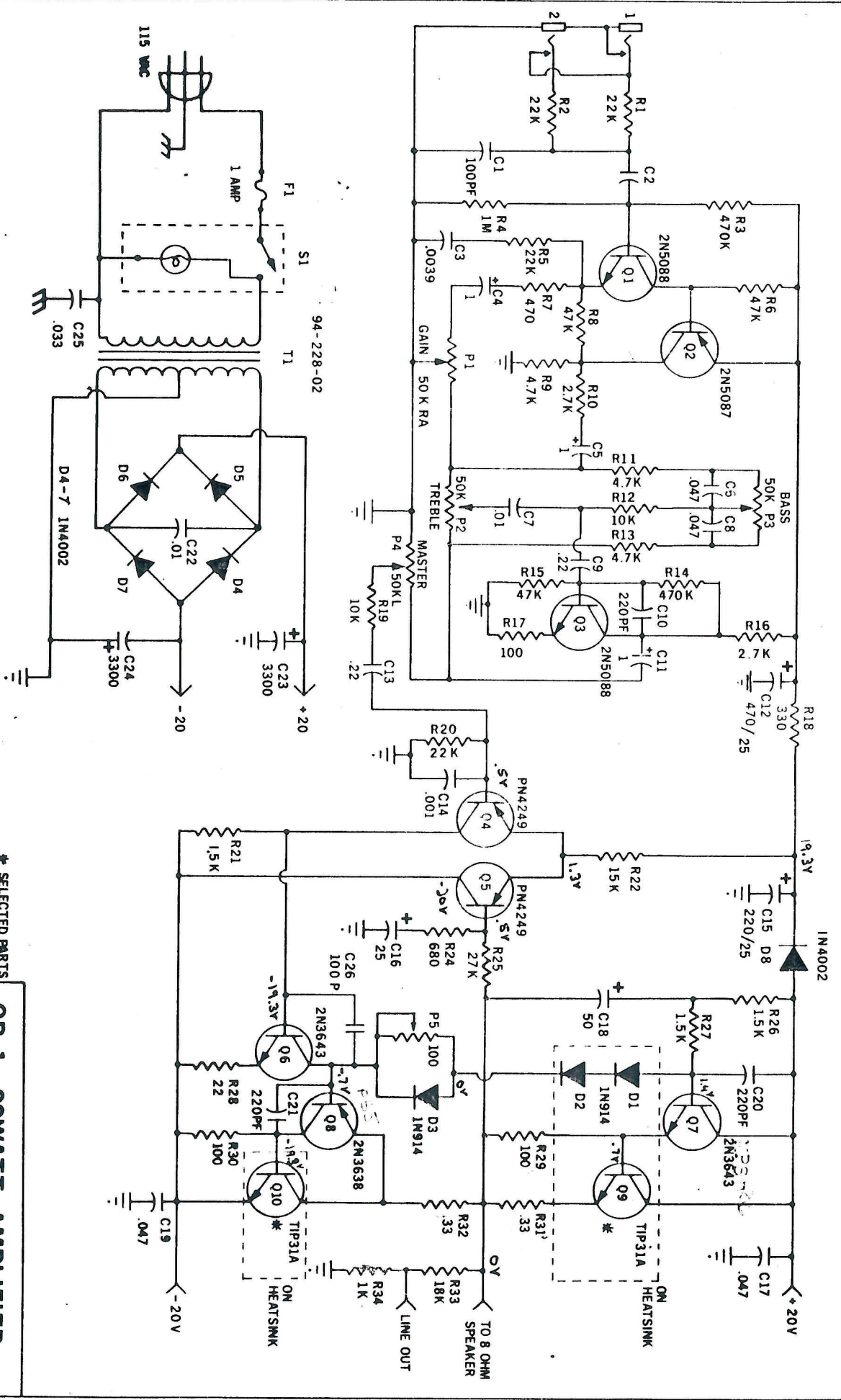
R-31. No input, no load, cold.

* SELECTED PARTS

**CR-1B 20WATT AMPLIFIER
CRATE BASS**

11/9/79

SLM ELECTRONICS
1400 FERGUSON
ST LOUIS, MO 63138



94-228-02

* SELECTED PARTS
CR-1 20WATT AMPLIFIER

NOTE: 2N3643 is replaced by MPS-406
 2N3638 is replaced by MPS-455
 PN4249 is replaced by 2N5087

NOTE: Set bias(P5) for 1.5mv across R31.
 Bias must be set with no load and
 output-001D.

11/9/79

SLM ELECTRONICS
 1400 FERGUSON
 ST. LOUIS, MO. 63138