

7

6

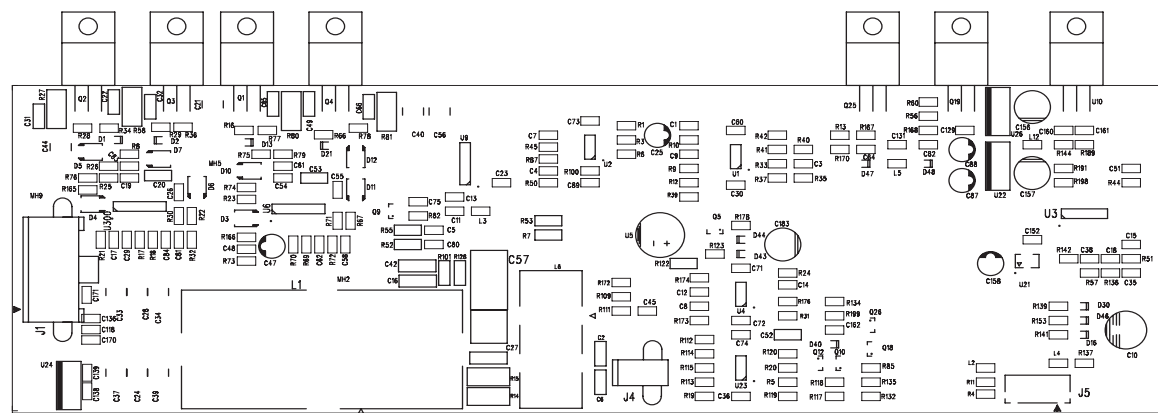
5

4

3

1

REVISIONS					
ECO#	REV:	DESCRIPTION	REV. BY:	APP. BY:	DATE



APPROVALS	DATE
DRAWN: RB	19-03-08
CHECKER:	
MP ENGINEERING:	
MATERIAL:	
MANUFACTURING:	
MFG ENGINEERING:	
ISSUED:	

LOUD
LOUD TECHNOLOGIES INC. WOODINVILLE WA. USA

PCB ASSY, BA300/BA600 AMP

	DRG. NO.	REV. B00

SHEET 1 OF 2

THE INFORMATION CONTAINED HEREIN IS PROPRIETARY AND CONFIDENTIAL PROPERTY OF LOUD TECHNOLOGIES INC.



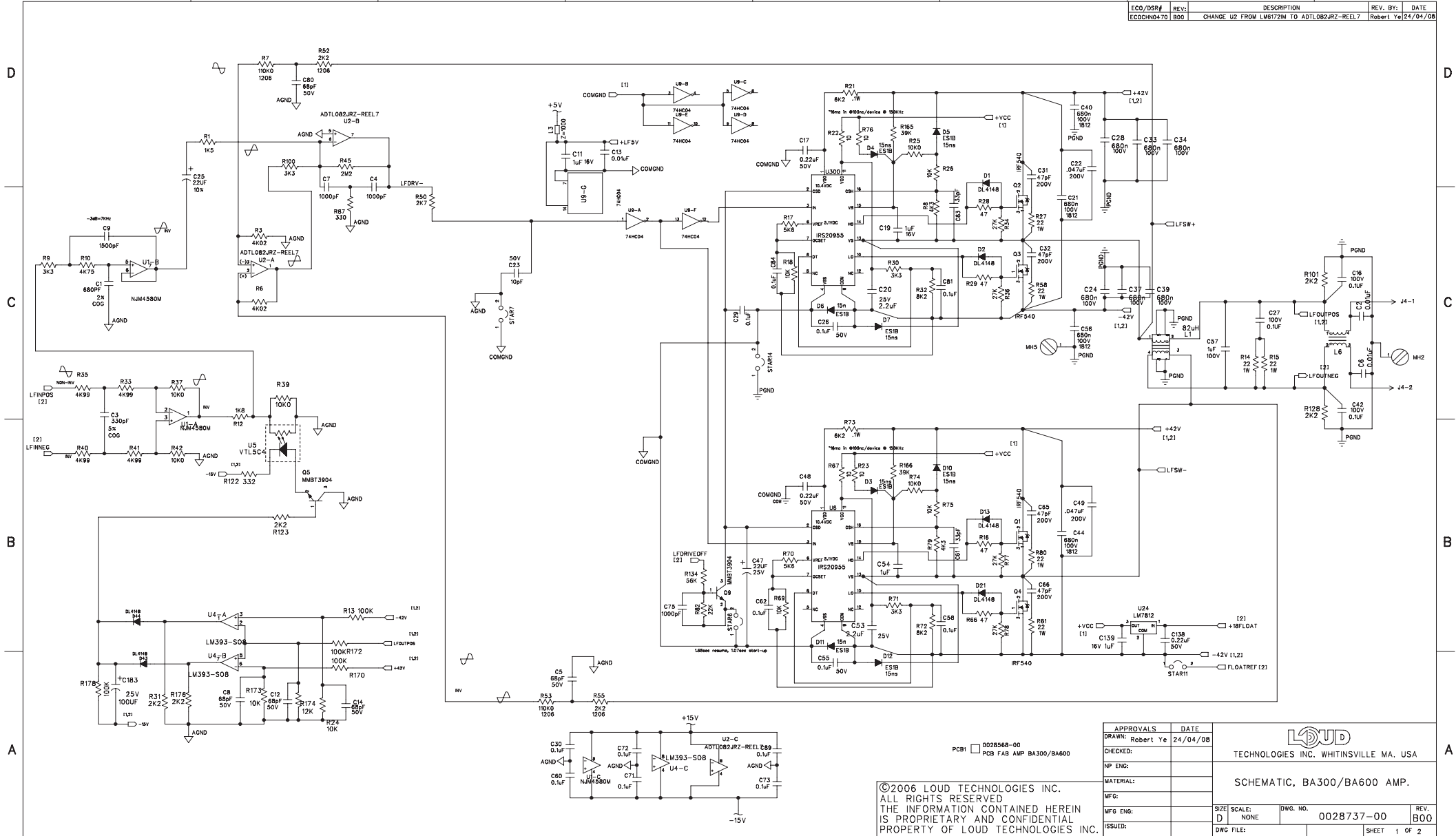
BA300/115

©2008 LOUD Technologies Inc. All rights reserved

Amplifier PCB Assemblies

PAGE 1

ECO/DSR#	REV.	DESCRIPTION	REV. BY:	DATE
ECOCHNG476	B00	CHANGE U2 FROM LM172M TO ADTL082JR2-REEL7	Robert Ye	24/04/08



PCB# 0028568-00
PCB FAB AMP BA300/BA600

©2006 LOUD TECHNOLOGIES INC.
ALL RIGHTS RESERVED
THE INFORMATION CONTAINED HEREIN
IS PROPRIETARY AND CONFIDENTIAL
PROPERTY OF LOUD TECHNOLOGIES INC.

APPROVALS	DATE
DRAWN: Robert Ye	24/04/08
CHECKED:	
MP ENG:	
MATERIAL:	
MFG:	
MFG ENG:	
ISSUED:	

LOUD TECHNOLOGIES INC. WHITINSVILLE MA. USA	
SCHEMATIC, BA300/BA600 AMP.	
SIZE SCALE: D NONE	DWG. NO. 0028737-00
DWG FILE:	REV. B00
	SHEET 1 OF 2



BA300/115

©2008 LOUD Technologies Inc. All rights reserved

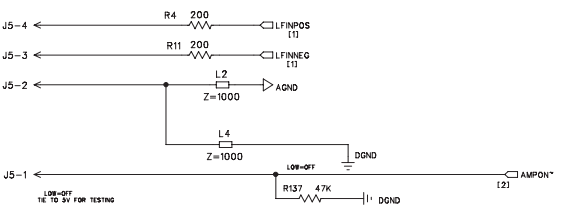
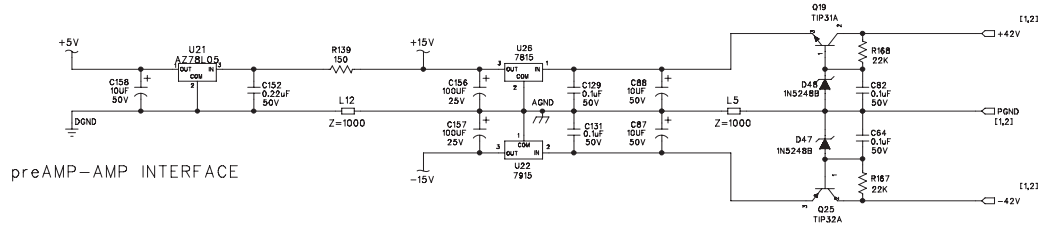
Amplifier PCB Assemblies

PAGE 2

ECO/DSR#	REV.	DESCRIPTION	REV. BY:	DATE
ECOCH0470	B00	CHANGE U2 FROM LM6721M TO ADTL082JR2-REEL7	Robert Ye	24/04/08

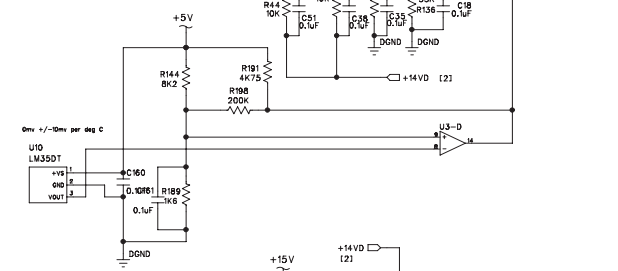
8 7 6 5 4 3 2 1

D

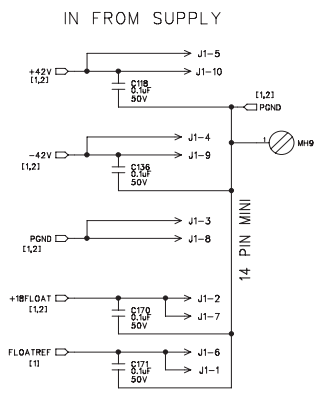


C

THERMAL DETECTION AND TRIGGERS
OUTPUT PARADIGM: OUTPUT TRIGGERS=85C

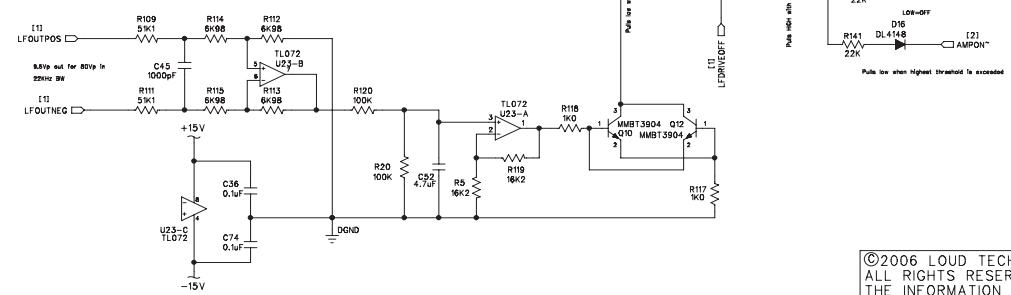


B



A

LF DC PROTECTION



APPROVALS	DATE	 TECHNOLOGIES INC. WHITINSVILLE MA. USA SCHEMATIC, BA300/BA600 AMP.
DRAWN: Robert Ye	24/04/08	
CHECKED:		
MP ENG:		
MATERIAL:		
MFG:		
MFG ENG:	SIZE SCALE: D NONE	DWG. NO. 0028737-00
ISSUED:	DWG FILE:	REV. B00
		SHEET 2 OF 2

©2006 LOUD TECHNOLOGIES INC.
ALL RIGHTS RESERVED
THE INFORMATION CONTAINED HEREIN
IS PROPRIETARY AND CONFIDENTIAL
PROPERTY OF LOUD TECHNOLOGIES INC.



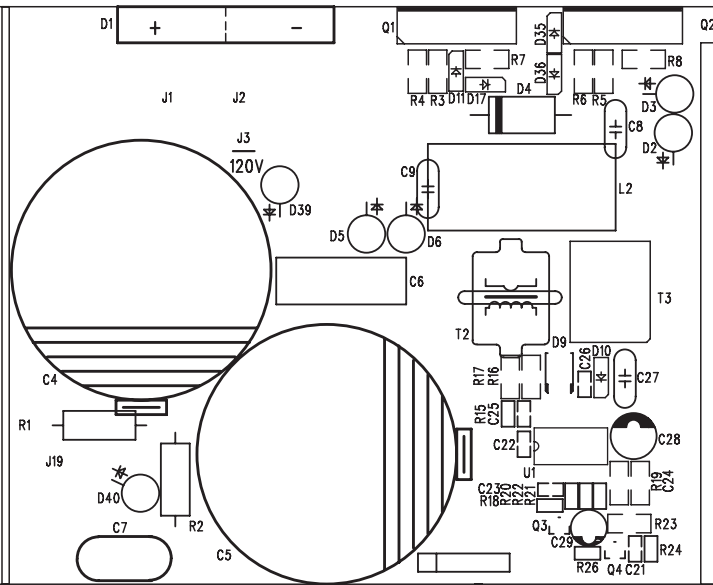
BA300/115

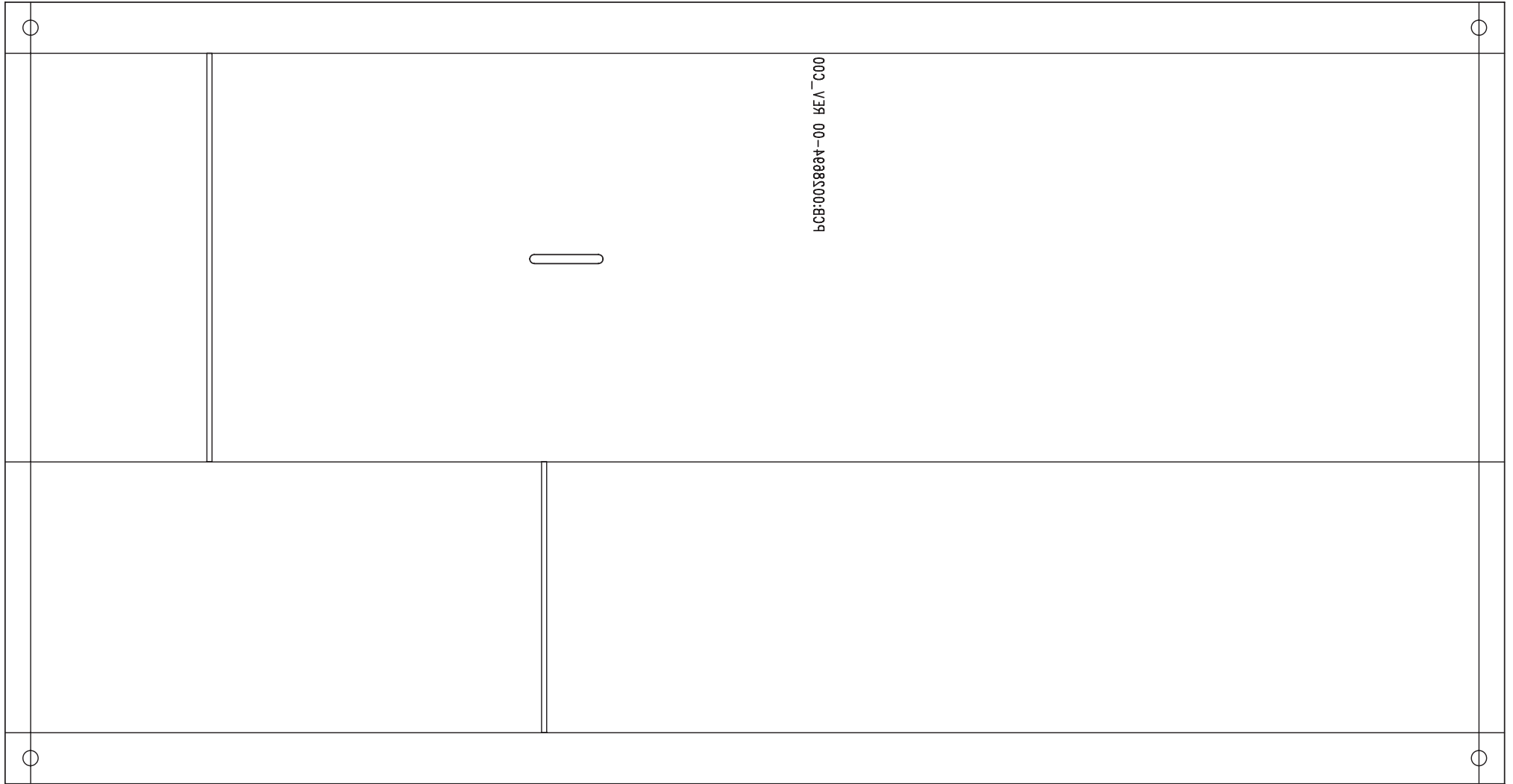
©2008 LOUD Technologies Inc. All rights reserved

Amplifier PCB Assemblies

PAGE 3

LOUD-CHINA
DATE: Apr 10, 2008





0028694-00 BA SERIES PS - Mon May 05 11:39:35 2008

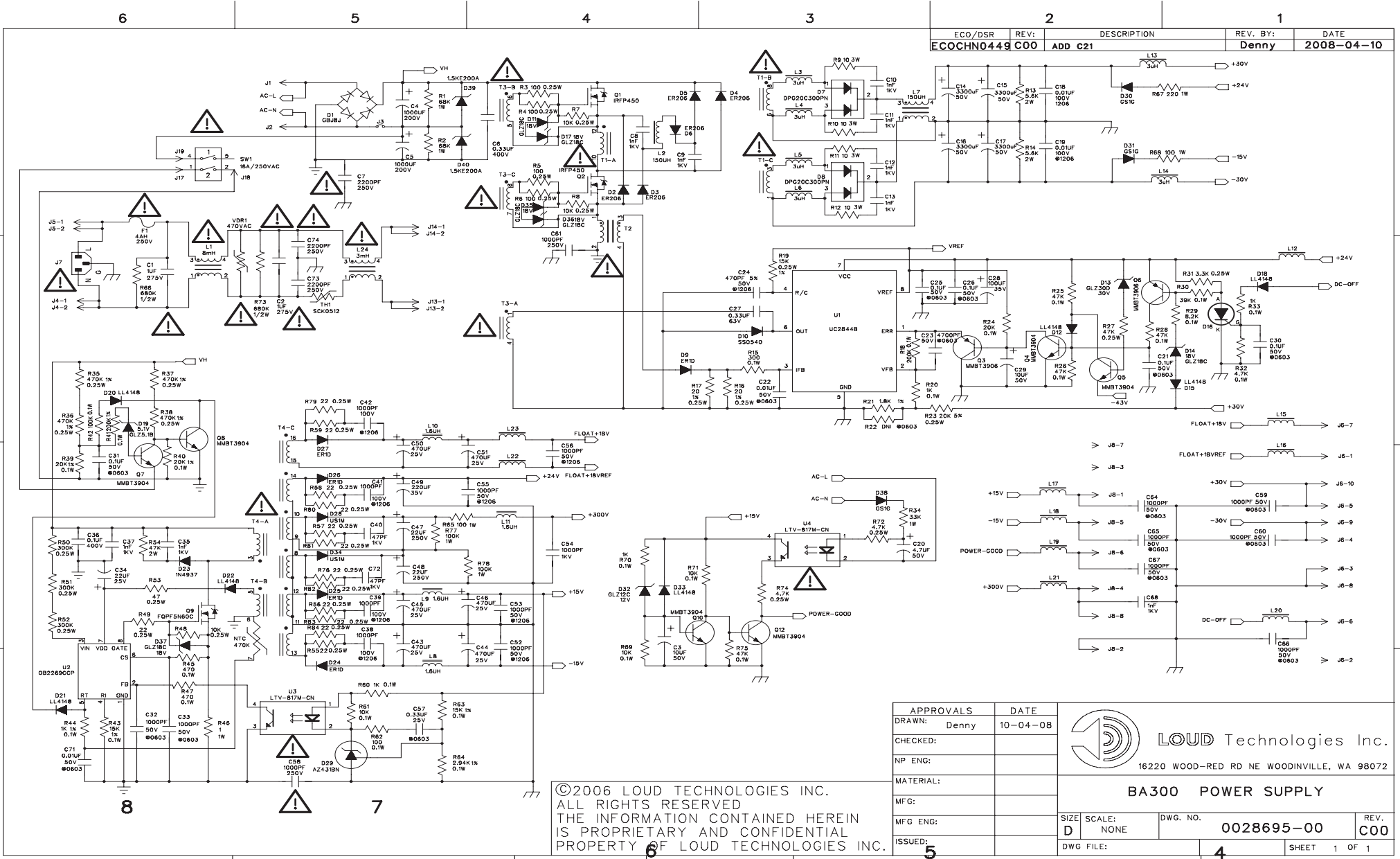


BA300/115

©2008 LOUD Technologies Inc. All rights reserved

Power Supply Board PCB Assemblies

PAGE 2



ECO/DSR	REV:	DESCRIPTION	REV. BY:	DATE
ECOCHN0449	C00	ADD C21	Denny	2008-04-10

©2006 LOUD TECHNOLOGIES INC.
 ALL RIGHTS RESERVED
 THE INFORMATION CONTAINED HEREIN
 IS PROPRIETARY AND CONFIDENTIAL
 PROPERTY OF LOUD TECHNOLOGIES INC.

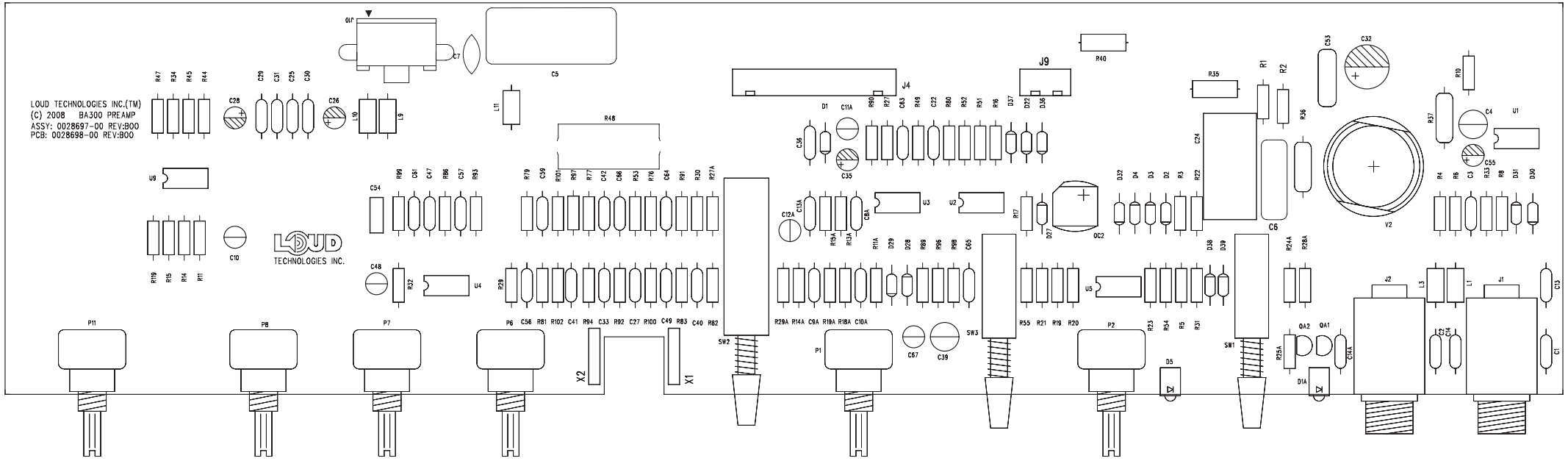
APPROVALS	DATE
DRAWN: Denny	10-04-08
CHECKED:	
NP ENG:	
MATERIAL:	
MFG:	
MFG ENG:	
ISSUED: 5	

LOUD Technologies Inc.
 16220 WOOD-RED RD NE WOODINVILLE, WA 98072

BA300 POWER SUPPLY

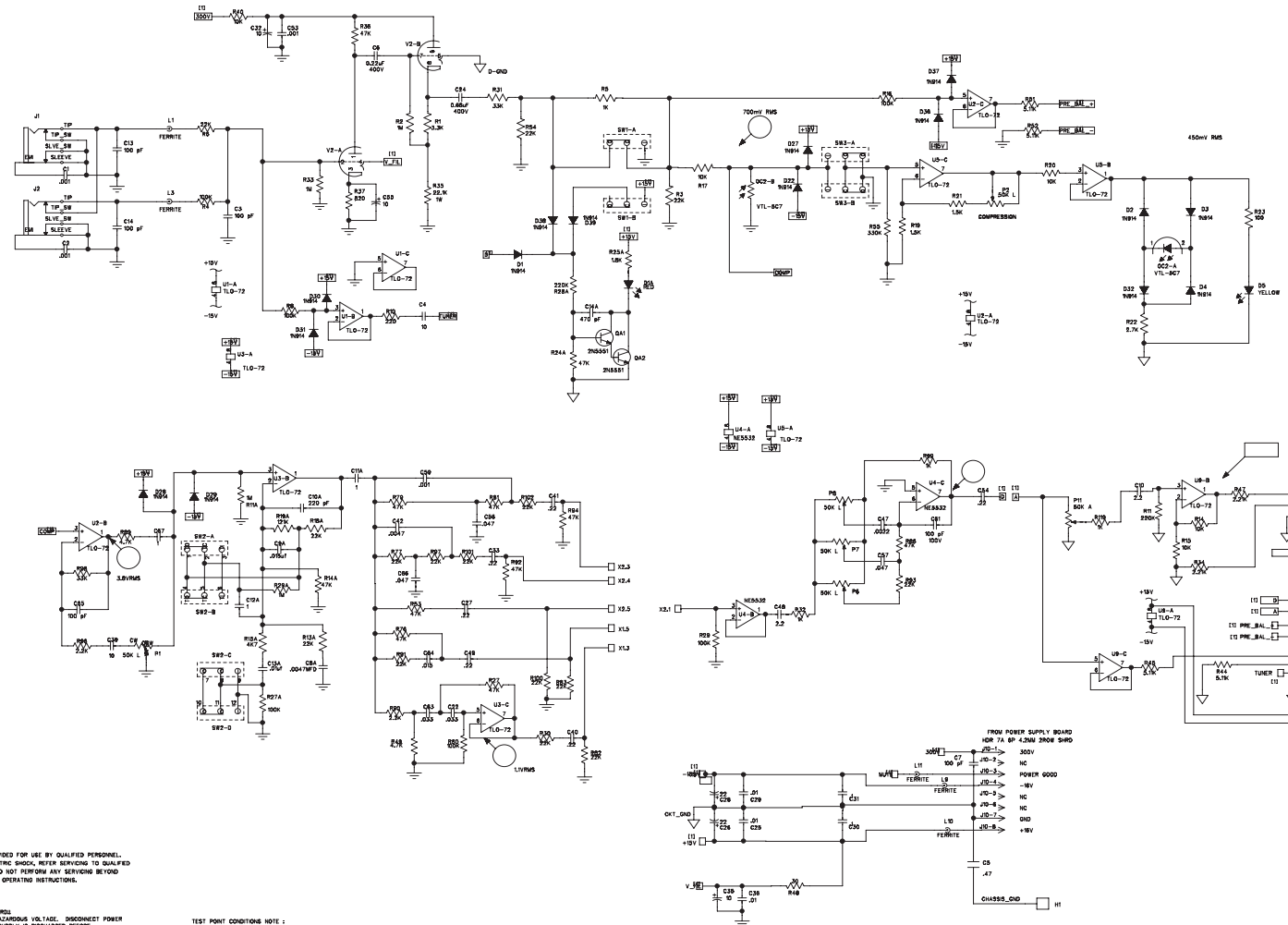
SIZE: D	SCALE: NONE	DWG. NO. 0028695-00	REV. C00
DWG FILE:			SHEET 1 OF 1

LOUD TECHNOLOGIES INC.(TM)
 (C) 2008 BA300 PREAMP
 ASSY: 0028697-00 REV:800
 PCB: 0028698-00 REV:800



OVERALL FINISH THICKNESS: 1.6mm +/- .125mm
 DOUBLE SIDE PCB

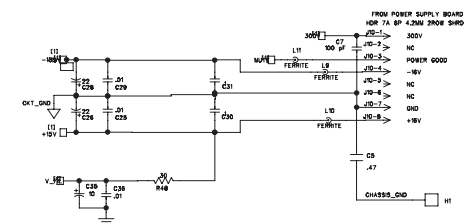
ECO/DSR	REV.	DESCRIPTION	REV. BY:	DATE
ECHOHN0360	A00	RELEASE TO PRODUCTION	YOUNG	2008-01-22
ECHOHN0393	B00	JUST ROLL TO B00 TO GO WITH THE PCB ASSY REVISION	YOUNG	2008-03-5



CAUTION:
THIS SCHEMATIC IS PROVIDED FOR USE BY QUALIFIED PERSONNEL.
TO AVOID RISK OF ELECTRIC SHOCK, REFER SERVICING TO QUALIFIED SERVICE PERSONNEL. DO NOT PERFORM ANY SERVICING BEYOND THAT EXPLAINED IN THE OPERATING INSTRUCTIONS.

NOTES:
1) CAUTION: SHOCK HAZARDOUS!
THIS UNIT CONTAINS HAZARDOUS VOLTAGE. DISCONNECT POWER AND BE SURE POWER SUPPLY IS DISCHARGED BEFORE TOUCHING INTERNAL PARTS.
2) UNLESS NOTED, RESISTOR VALUES IN OHMS, 1/4W-50V TOL. CAPACITOR VALUES IN MICROFARADS, 50V-50V TOL.
3) VOLTAGES ARE MEASURED WITH 1 MEGOHM OSCILLOSCOPE AND 10 MEGOHM DIGITAL VOLTMETER.

TEST POINT CONDITIONS NOTE:
1) 1KHz SINUSOIDAL TONE @ 0 dB
INPUT JACK: 120VAC LINE VOLTAGE @ LEVEL @ 10" TONES @ 10" DC VOLTAGES WITH NO SIGNAL APPLIED.



APPROVALS	DATE
DRAWN: YOUNG	5.03.08
CHECKED:	
MP ENG:	
MFG:	
MFG ENG:	
ISSUED:	

LOUD TECHNOLOGIES INC. WOODINVILLE, WA, USA	
BA300 PREAMP	
SIZE: D	SCALE: NONE
DWG. NO. 0028697-00	REV. B00
SHEET 1 OF 1	

©2006 LOUD TECHNOLOGIES INC.
ALL RIGHTS RESERVED
THE INFORMATION CONTAINED HEREIN IS PROPRIETARY AND CONFIDENTIAL PROPERTY OF LOUD TECHNOLOGIES INC.



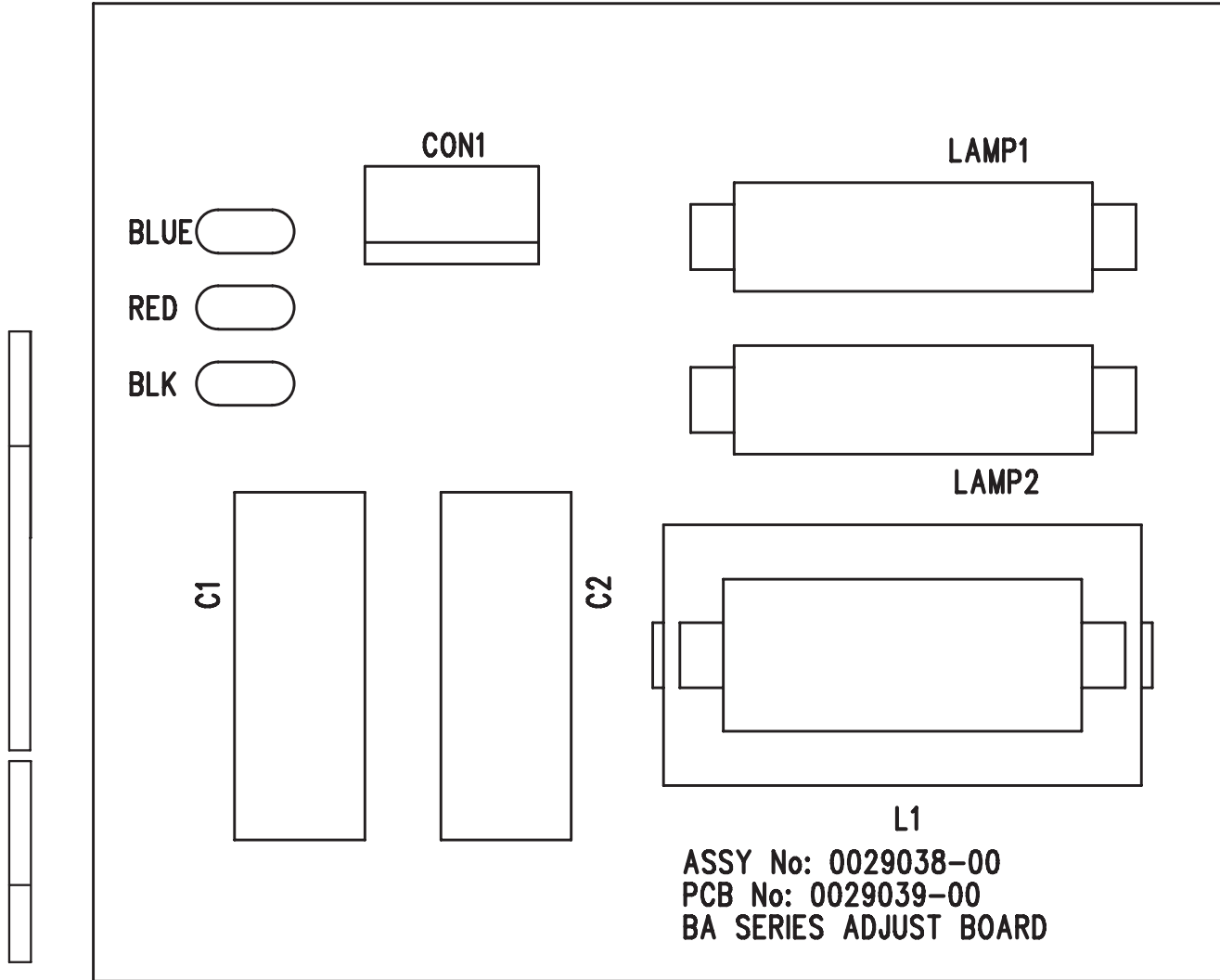
BA300/115

©2008 LOUD Technologies Inc. All rights reserved

Preamp PCB Assemblies

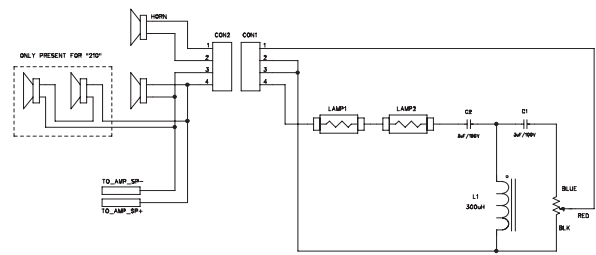
PAGE 2

BA300



OVERALL FINISH THICKNESS: 1.6mm +/- .125mm
SINGEL SIDE PCB


ECO/DSR	REV:	DESCRIPTION	REV. BY:	DATE
ECOCHN0359	ADD	RELEASE TO PRODUCTION	YOUNG	2008-01-22



CAUTION:
 THIS SCHEMATIC IS PROVIDED FOR USE BY QUALIFIED PERSONNEL.
 TO AVOID RISK OF ELECTRIC SHOCK, REFER SERVING TO QUALIFIED
 SERVICE PERSONNEL. DO NOT PERFORM ANY SERVICING BEYOND
 THAT EXPLAINED IN THE OPERATING INSTRUCTIONS.

NOTES:
 1) CAUTION: BODDY HAZARDOUS
 THIS UNIT CONTAINS HAZARDOUS VOLTAGE. DISCONNECT POWER
 AND BE SURE POWER SUPPLY IS DISCHARGED BEFORE
 TOUCHING INTERNAL PARTS.
 2) UNLESS NOTED, RESISTOR VALUES IN OHMS, 1/4W-5% TOL.
 CAPACITOR VALUES IN MICROFARADS, 50V-10% TOL.
 3) VOLTAGES ARE MEASURED WITH 1 MEGOHM OSCILLOSCOPE
 AND 10 MEGOHM DIGITAL VOLTMETER.

©2006 LOUD TECHNOLOGIES INC.
 ALL RIGHTS RESERVED
 THE INFORMATION CONTAINED HEREIN
 IS PROPRIETARY AND CONFIDENTIAL
 PROPERTY OF LOUD TECHNOLOGIES INC.

APPROVALS	DATE	 TECHNOLOGIES INC. WOODINVILLE WA, USA			
DRAWN: YOUNG	22.01.08				
CHECKED:		BA ADJUST BOARDS			
MP ENG:					
MATERIAL:		SIZE	SCALE:	DWG. NO.	REV.
MFG:		D	NONE	0029038-00	A00
MFG ENG:		DWG FILE:			SHEET 1 OF 1
ISSUED:					



BA300/115

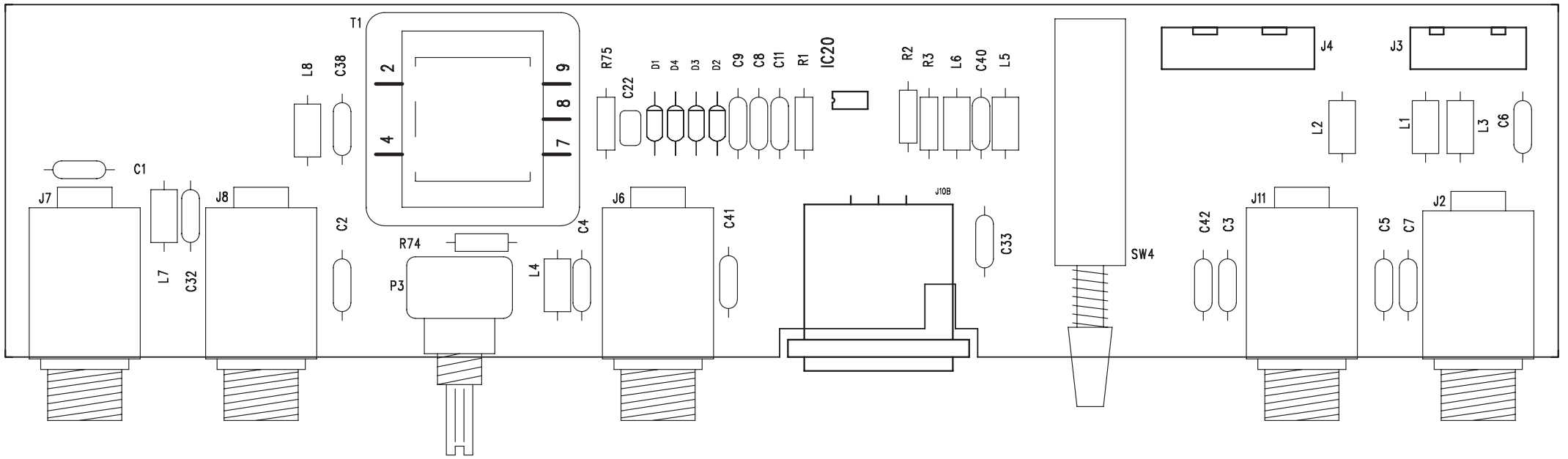
©2008 LOUD Technologies Inc. All rights reserved

BA Series Adjust PCB Assemblies

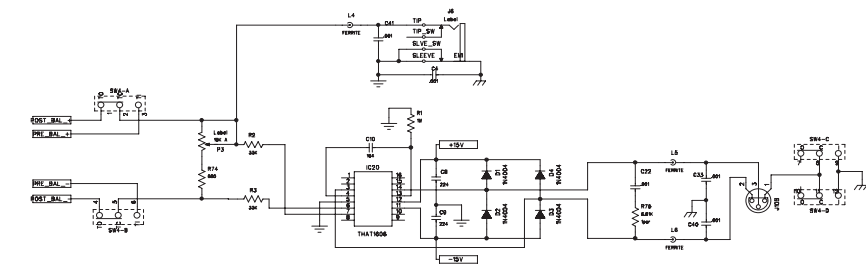
PAGE 2

D
C
B
A

D
C
B
A

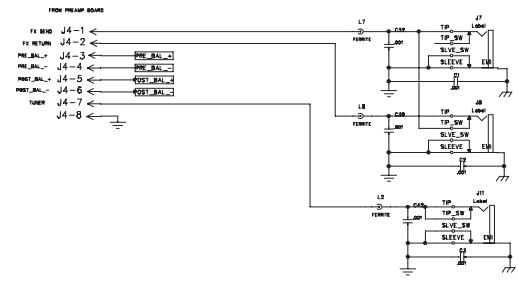


ECO/DSR	REV:	DESCRIPTION	REV. BY:	DATE
ECOCHN0360	A00	RELEASE TO PRODUCTION	YOUNG	2008-01-22




CAUTION:
 THIS SCHEMATIC IS PROVIDED FOR USE BY QUALIFIED PERSONNEL.
 TO AVOID RISK OF ELECTRIC SHOCK, REFER SERVICING TO QUALIFIED
 SERVICE PERSONNEL. DO NOT PERFORM ANY SERVICING BEYOND
 THAT EXPLAINED IN THE OPERATING INSTRUCTIONS.

NOTES:
 1) CAUTION SHOCK HAZARDS
 THIS UNIT CONTAINS HAZARDOUS VOLTAGE. DISCONNECT POWER
 AND BE SURE POWER SUPPLY IS DISCONNECTED BEFORE
 TOUCHING INTERNAL PARTS.
 2) UNLESS NOTED, RESISTOR VALUES IN OHMS, 1/4W-5% TOL.
 CAPACITOR VALUES IN MICROGRAMS, 50V-10% TOL.
 3) VOLTAGES ARE MEASURED WITH 1 MEGOHM OSCILLOSCOPE
 AND 10 MEGOHM DIGITAL VOLTMETER.



□ 0028675-00 B300/B600 Rear PCB

©2006 LOUD TECHNOLOGIES INC.
 ALL RIGHTS RESERVED
 THE INFORMATION CONTAINED HEREIN
 IS PROPRIETARY AND CONFIDENTIAL
 PROPERTY OF LOUD TECHNOLOGIES INC.

APPROVALS	DATE	 TECHNOLOGIES INC. WOODINVILLE WA, USA			
DRAWN: YOUNG	22.01.08				
CHECKED:		BA300 JACK BOARD			
NP ENG:					
MATERIAL:					
MFG:					
MFG ENG:		SIZE: D	SCALE: NONE	DWG. NO. 0028675-00	REV. A00
ISSUED:		DWG FILE:		SHEET 1 OF 1	



BA300/115

©2008 LOUD Technologies Inc. All rights reserved

Rear Jack PCB Assemblies

PAGE 2