

# ULTRABASS

# BX4500H



## Specifications

Version 1.1 August 2005

## ULTRABASS BX4500H

# ULTRABASS

450-Watt Bass Amplifier Head with Shape Filter and Ultrabass Processor



- ▲ Extremely powerful 450-Watt bass amplifier head
- ▲ Patented\* Dynamizer technology for ultimate punch and to capture every nuance of your playing
- ▲ Switchable Ultrabass sub-harmonics processor for unbelievable low-end power
- ▲ Revolutionary Shape filter for extreme sound range
- ▲ Dedicated 5-band EQ with Bright and Deep functions for awesome sound shaping
- ▲ Musical opto-limiter for ultimate volume without distortion
- ▲ Vintage-style VU meter for precise signal level control
- ▲ Dual footswitch for Ultrabass and Shape functions included
- ▲ Balanced DI output for direct connection to your mixing console
- ▲ Dedicated Tuner Output/Effect Send and separate Line Output for additional flexibility
- ▲ FX Insert for external effects devices (stomp boxes, rack effects, etc.)
- ▲ 3 speaker outputs on 1/4" TS and professional speaker connectors (compatible to Neutrik® Speakon®)\*\*
- ▲ Integrated limiter and active, temperature-controlled cooling system for ultimate protection
- ▲ Ultra-rugged power supply with toroidal transformer for highest power reserves
- ▲ High-quality components and exceptionally rugged construction ensure long life
- ▲ Conceived and designed by BEHRINGER Germany

BX4500H

\* German Patent No.: 100 15 833

\*\* All Trademarks mentioned belong to their respective owners and are not affiliated with BEHRINGER®

## SPECIFICATIONS

### AUDIO INPUTS

Active instrument input	1/4" mono jack, unbalanced
Input impedance	approx. 220 k $\Omega$ unbalanced
Passive instrument input	1/4" mono jack, unbalanced
Input impedance	approx. 750 k $\Omega$ unbalanced
Return	1/4" mono jack, unbalanced
Input impedance	approx. 10 k $\Omega$ unbalanced

### AUDIO OUTPUTS

Send/Tuner	1/4" mono jack, unbalanced
Output impedance	min. 2.2 k $\Omega$ unbalanced
Line Out	1/4" mono jack, unbalanced
Output impedance	approx. 100 $\Omega$ unbalanced
Output level	max. +4 dBu
D.I. output	XLR connector, servo-balanced
Output impedance	approx. 100 $\Omega$ balanced
Output level	max. -10 dBu
Loudspeaker connectors	1/4" mono jack, unbalanced professional connector (compatible to Neutrik® Speakon®)
Load impedance	min. 4 $\Omega$

### SYSTEM SPECIFICATIONS

Power amp output	450 Watts RMS into 4 $\Omega$
------------------	-------------------------------

### POWER SUPPLY

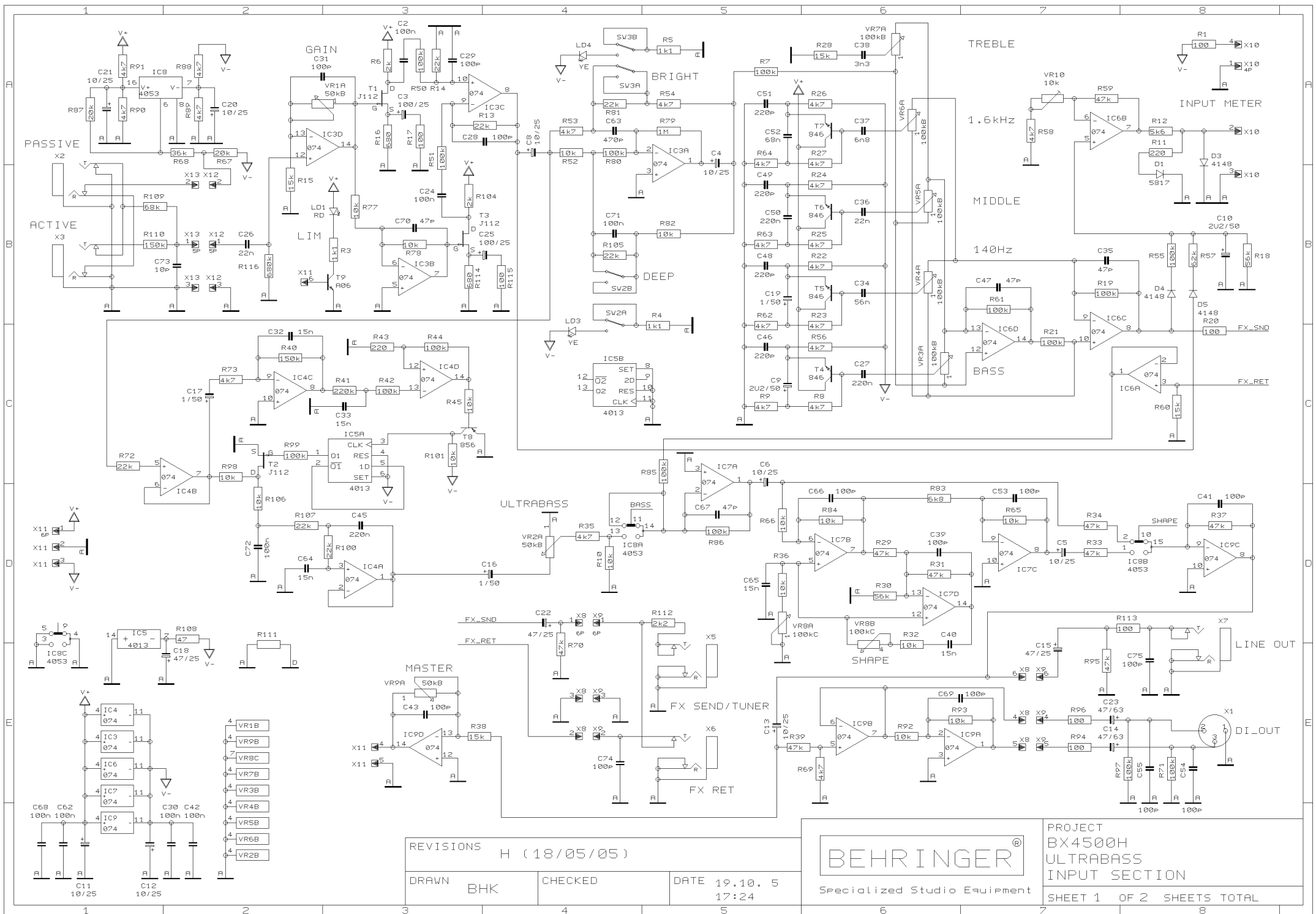
Mains voltages	U.S./Canada 120 V~, 60 Hz, 6 A China/Korea 220 V~, 50 Hz, 3 A Europe/U.K./Australia 230 V~, 50 Hz, 3 A Japan 100 V~, 50/60 Hz, 6 A General export model 120/230 V~, 50 - 60 Hz
Fuse	100 - 120 V~: <b>T 10 A H 250 V</b> 200 - 240 V~: <b>T 6.3 A H 250 V</b>
Mains connection	Standard IEC receptacle

### PHYSICAL/WEIGHT

Dimensions (H x W x D)	approx. 5 3/4" (144,6 mm) x 19 1/8" (486 mm) x 12" (305 mm)
Weight	approx. 14 kg (30 7/8 lbs)

BEHRINGER constantly strives to maintain the highest quality standards. Modifications may be made, if necessary, without prior notice. The specifications and appearance of the equipment may therefore differ from those listed or illustrated.

Technical specifications and appearance subject to change without notice. The information contained herein is correct at the time of printing. The names of companies, institutions or publications pictured or mentioned and their respective logos are registered trademarks of their respective owners. Their use neither constitutes a claim of the trademarks by BEHRINGER® nor affiliation of the trademark owners with BEHRINGER®. BEHRINGER® accepts no liability for any loss which may be suffered by any person who relies either wholly or in part upon any description, photograph or statement contained herein. Colours and specification may vary slightly from product. Products are sold through our authorised dealers only. Distributors and dealers are not agents of BEHRINGER® and have absolutely no authority to bind BEHRINGER® by any express or implied undertaking or representation. No part of this manual may be reproduced or transmitted in any form or by any means, electronic or mechanical, including photocopying and recording of any kind, for any purpose, without the express written permission of BEHRINGER Spezielle Studiotechnik GmbH. BEHRINGER® is a registered trademark.

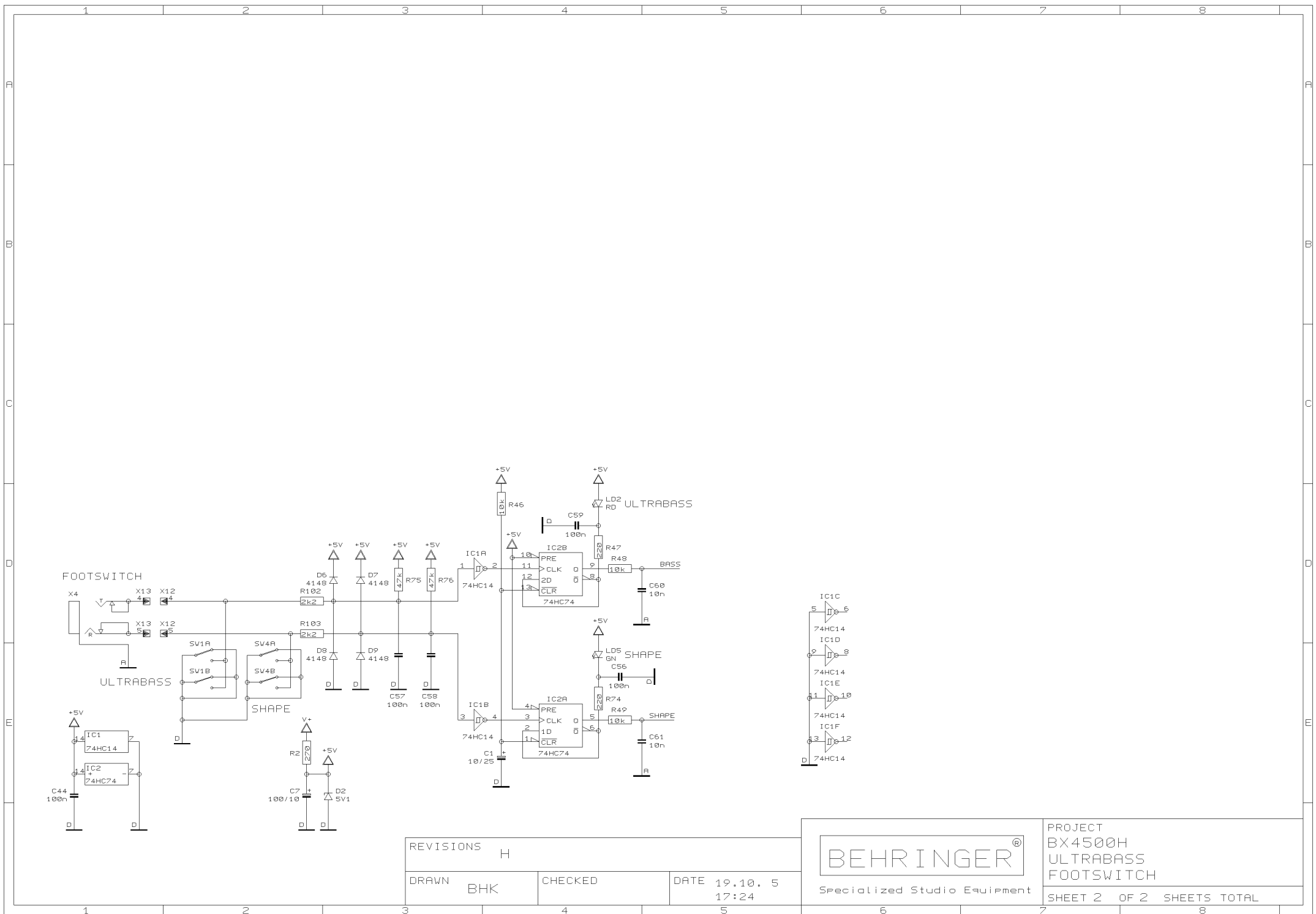


REVISIONS H (18/05/05)

DRAWN	BHK	CHECKED	DATE	19.10. 5
				17:24



PROJECT  
 BX4500H  
 ULTRABASS  
 INPUT SECTION  
 SHEET 1 OF 2 SHEETS TOTAL



REVISIONS H

DRAWN BHK

CHECKED

DATE 19.10. 5  
17:24

BEHRINGER®

Specialized Studio Equipment

PROJECT  
BX4500H  
ULTRABASS  
FOOTSWITCH

SHEET 2 OF 2 SHEETS TOTAL