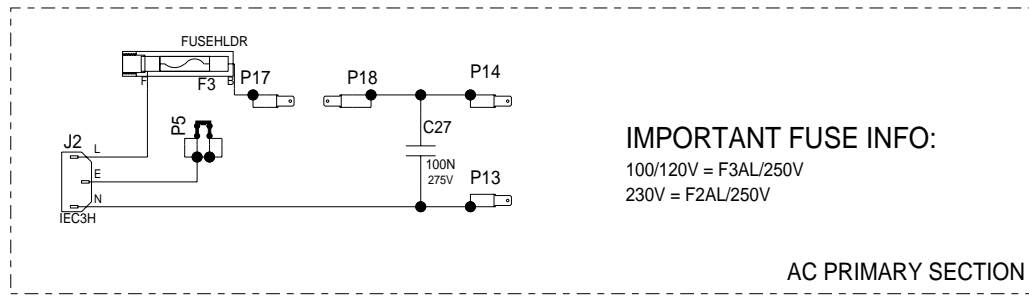


REV	Eng	Date:	Revision Description	ECN#
A				
B				
C				
D				
E				
F				

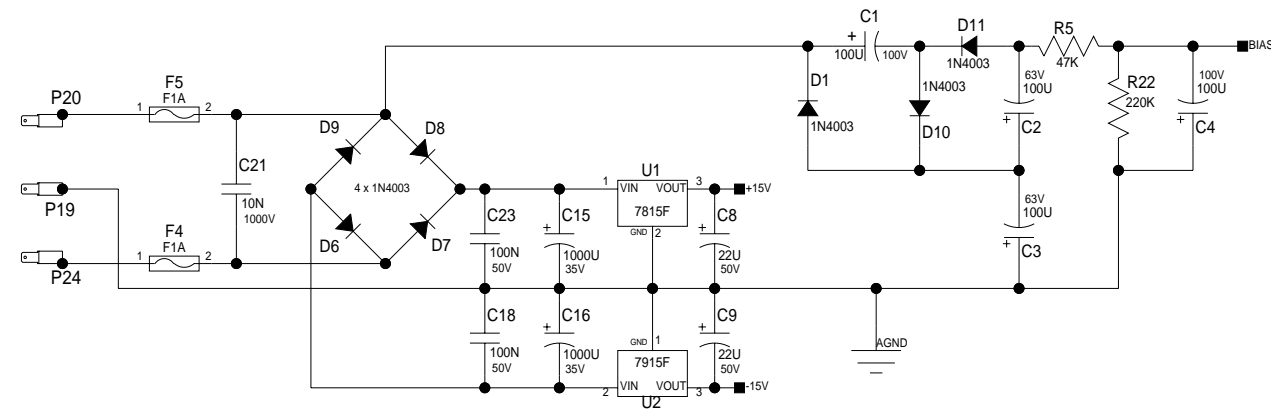
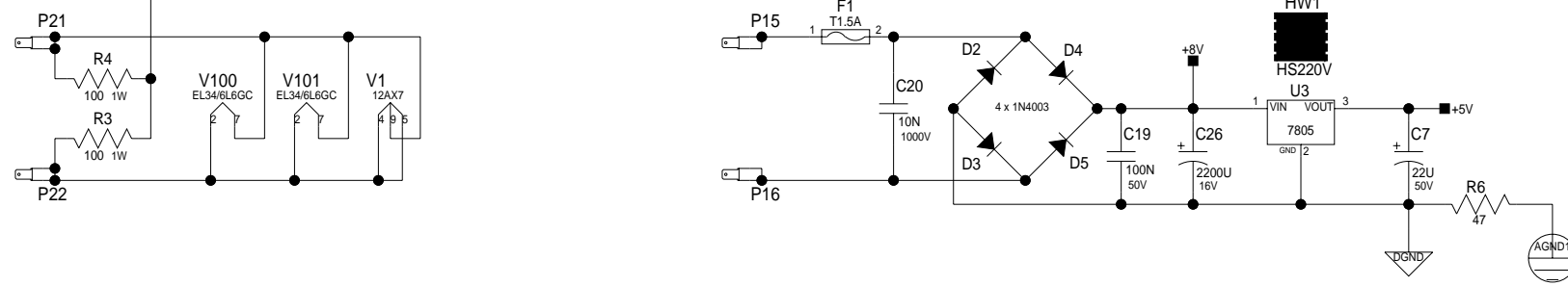
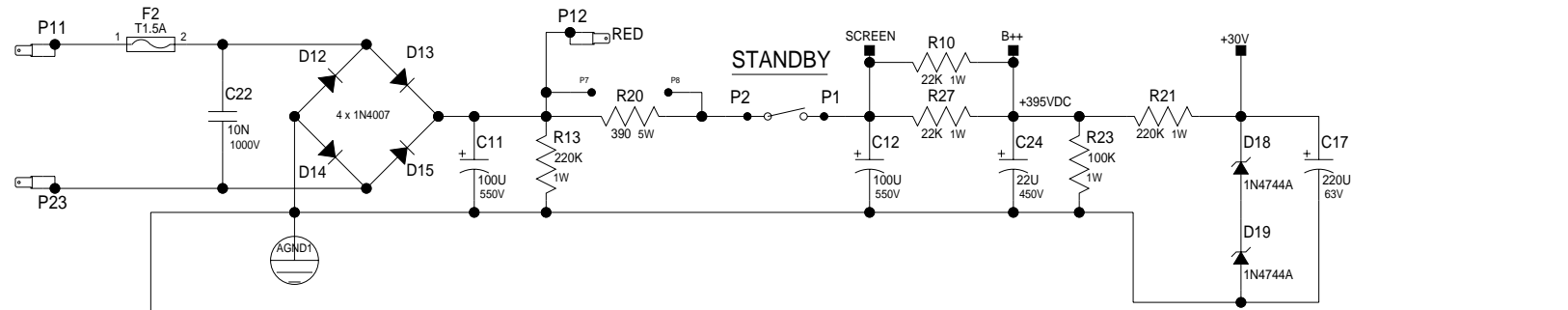
INDEX

SHEET	DESCRIPTION



IMPORTANT FUSE INFO:
 100/120V = F3AL/250V
 230V = F2AL/250V

AC PRIMARY SECTION



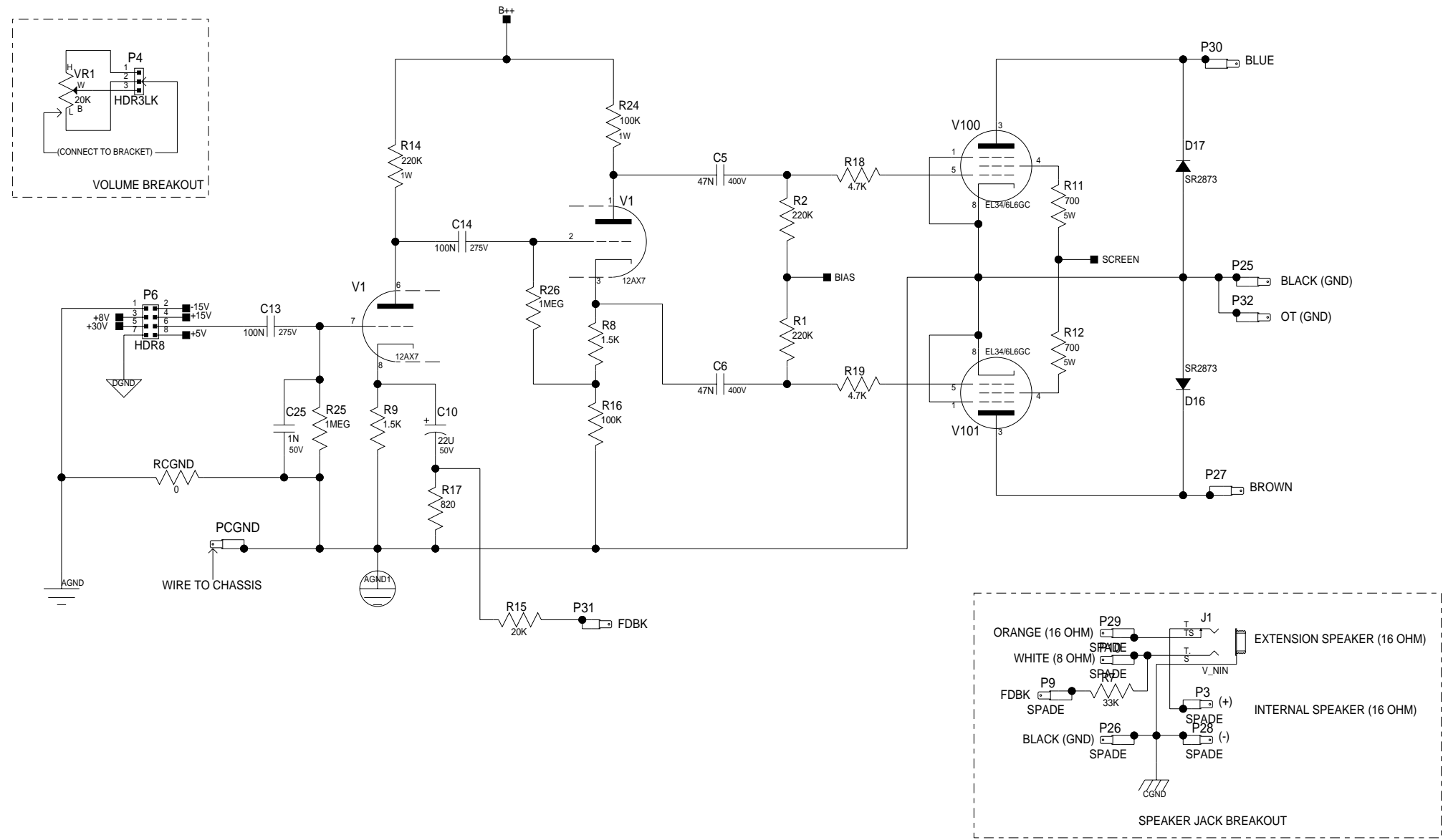
Note: All thru hole Resistors are 1/4 Watt unless otherwise indicated.
 All SMT 1206 Resistors are 1/4 Watt.
 All SMT 0805 Resistors are 1/10 Watt.
 Note Capacitor Values are indicated as Follows:
 val P = pF (picoFarads) val * 10 exp-12
 val N = nF (nanoFarads) val * 10 exp-9 (1N=1000pF, 100N=0.1uF)
 val U = uF (microFarads) val * 10 exp-6

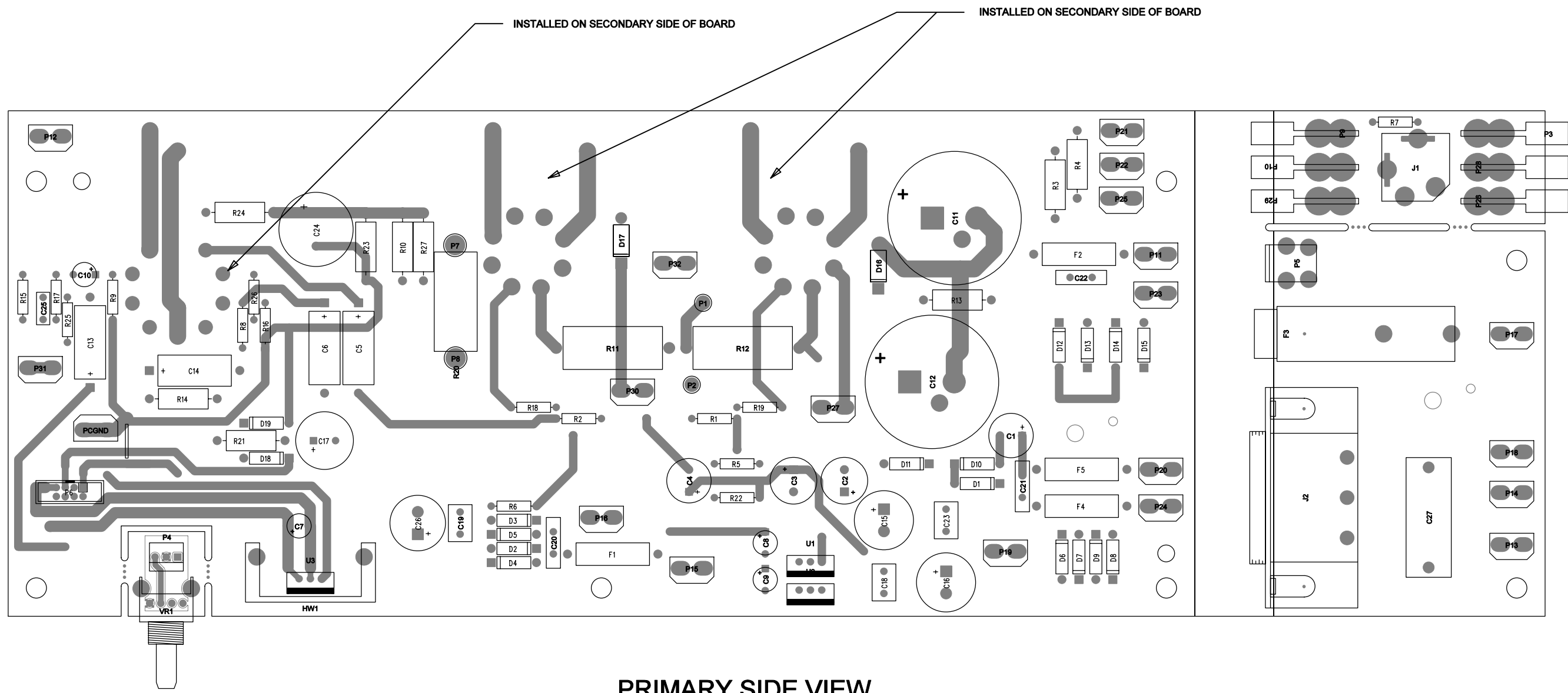
Patents:
 Copyright Peavey Electronics Corporation 2008.

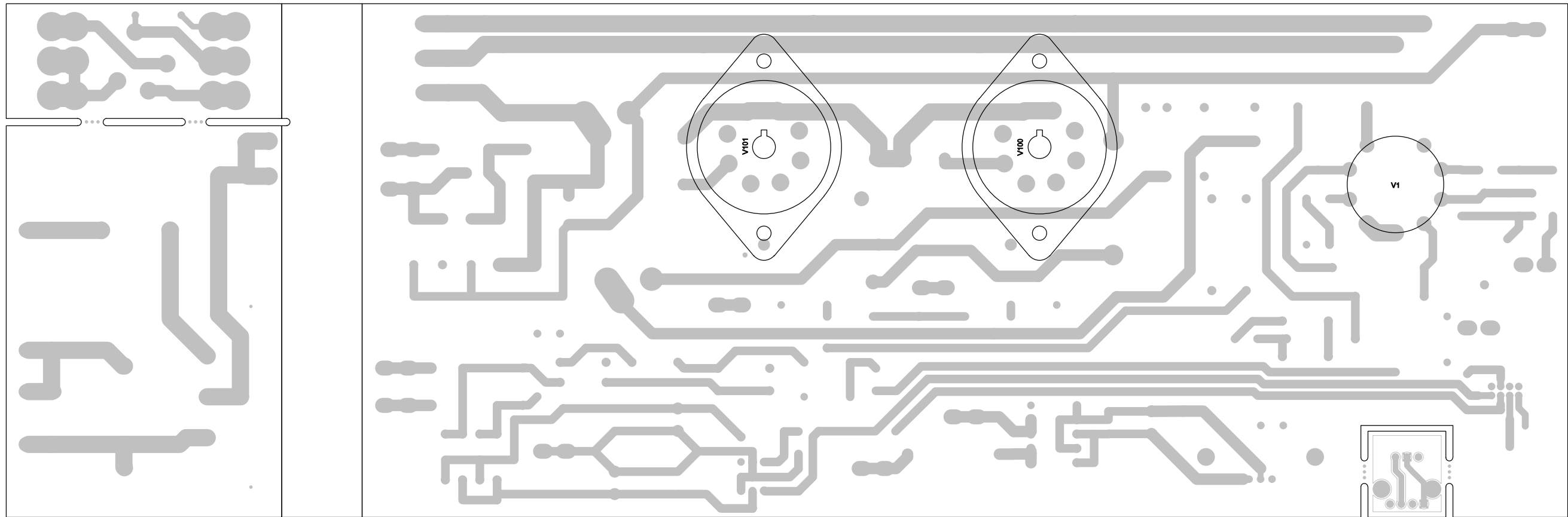
Company Proprietary Information



Product:	VYPYR 60
Title:	POWER AMP
Project Number:	
Eng:	
Release Date:	
C Sheet 1 of 2	Saved: 5-2-2008_13:27







BILL OF MATERIAL REPORT

REPORT DATE/TIME: 5/2/2008 3:49:43 PM

BOARD NAME: Vypyr 60 Power Amp ASSEMBLY LEVEL NUMBER: 29095690

PROJECT NUMBER: P0700034 DESIGNER: FJE

Qty.	Part #	Description	Reference Designators

--			
2	30210003	100 1W 5% MO AXL	R3 R4
2	30210005	22K 1W 5% MO AXL	R10 R27
3	30210008	220K 1W 5% MO AXL	R13 R14 R21
2	30210017	100K 1W 5% MO AXL	R23 R24
2	30240018	1500 1/4W 5% CF AXL	R8 R9
1	30240019	820 1/4W 5% CF AXL	R17
2	30240023	4700 1/4W 5% CF AXL	R18 R19
1	30240030	33K 1/4W 5% CF AXL	R7
1	30240031	47K 1/4W 5% CF AXL	R5
1	30240034	100K 1/4W 5% CF AXL	R16
3	30240036	220K 1/4W 5% CF AXL	R1 R2 R22
2	30240039	1M 1/4W 5% CF AXL	R25 R26
1	30240090	47 1/4W 5% FP AXL	R6
1	30241040	20K 1/4W 1% MF AXL	R15
1	30250020	390 5W 5% FP AXLH	R20
3	30320099	0.01UF 1000V 80-20% Z5U	C20 C21 C22
2	30320105	0.047UF 400V 10% PES AXL	C5 C6
4	30320181	22UF 50V 20% EL RAD	C7 C8 C9 C10
2	30320186	1000UF 35V 20% EL RAD	C15 C16
2	30320264	100UF 63V 20% EL RAD	C2 C3
1	30320298	0.1UF 275V 20% "X" RADH	C27

2	30320334	0.1UF	250V	10%	PE	AXL	C13 C14
1	30320339	22UF	450V	20%	EL	RADH	C24
1	30320566	220UF	63V	20%	EL	LOW ESR	C17
2	30320573	100UF	550V	20%	EL	SNPH	C11 C12
2	30320624	100UF	100V	20%	EL	RAD	C1 C4
1	30320674	2200UF	16V	20%	EL	RAD	C26
3	30330129	0.1UF	50V	5%	PE	RAD	C18 C19 C23
1	30330156	1000PF	50V	5%	PE	RAD	C25
1	30400318	7815F	+15V	INS	TO-220F	HOR	U1
1	30400319	7915	-15V	INS	TO-220F	HOR	U2
2	30402873	SR2873	2KV,	250MA	DIODE		D16 D17
1	30427805	7805	+5V	VREG	TO-220		U3
11	30464003	1N4003	200V	1A	SI	DIODE	D1 D2 D3 D4 D5 D6 D7 D8 D9 D10 D11
4	30464007	1N4007	1KV,	1A,	SI	DIODE	D12 D13 D14 D15
2	30464744	1N4744A	15V	1W	5%	ZENER	D18 D19
1	30600136	0	OHM	22GA	JMPR	AXL	RCGND
1	30806631	TUBE SKT	9PIN	CERAMIC			V1
2	30806632	TUBE SKT	OCTAL	6L6GC			V100 V101
1	30900629	AAVID VER	TO220	HEATSINK			HW1
2	30901244	1A FUSE	5X15MM	PIG TAIL	T&R		F4 F5
1	30901428	PWR INLET,	RA	SCREW	MT	PC RA GND	J2
1	30901429	EXT. FUSEHOLDER,	PC	MT			F3
2	30901446	FUSE,	1.5A--2AG--S/B--T&R				F1 F2
1	30901785	SCREW TERM,	6-32	-PCB	MT		P5
1	31190903	20KB	SNGL	12MM		HOR	VR1
1	31466214	2 TIP HID JACK	NINS	W/SPD			J1
2	31600266	700	5W	10%	WW	AXLH SL	R11 R12

2	33711812	PIN-M .093 MOLEX PC-MNT	P7 P8
2	33713813	WR-TO-BD CRIMP TERM 18GA	P1 P2
20	33716194	SPADE .250 PC MNT .093	P11 P12 P13 P14 P15 P16 P17 P18 P19 P20 P21 P22 P23 P24 P25 P27 P30 P31 P32 PCGND
6	33716927	.250 PC MNT R/A SPADE	P3 P9 P10 P26 P28 P29
1	33717013	3 HDR V SR .100" TIN LK	P4
1	33717359	8 HDR V DR 2MM GOLD	P6

 END OF BILL OF MATERIAL REPORT
