

客戶

Customer 中山弘裕電子有限公司

機種

Model REBEL PT-20

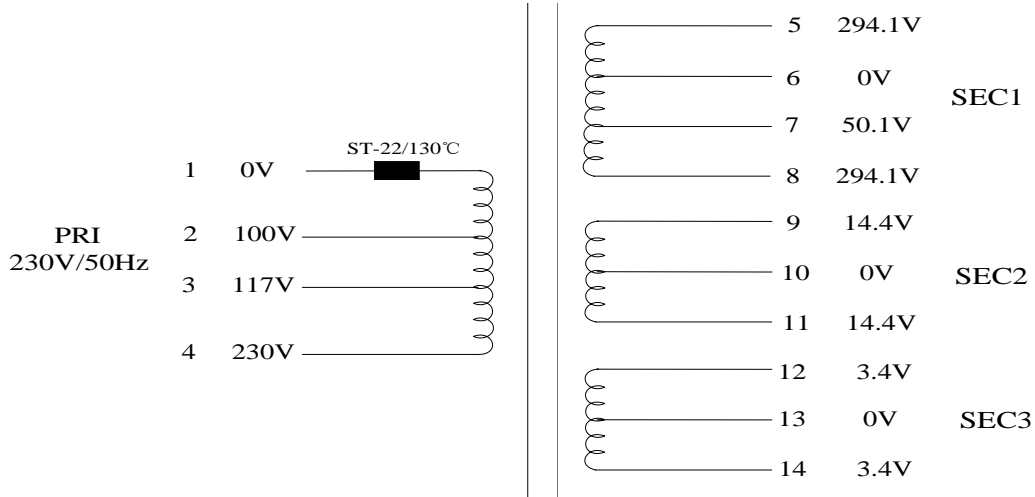
日期

Date Jan. 5th,2013

CUSTOMER 客 户：中山弘裕电子有限公司

PART NO. 型 号：REBEL PT-20

A. LINE DIAGRAM 线路图:



B. VOLTAGE TABLE 电压

| | | | |
|------------------|---|------------------------------------|---|
| PRIMARY 初级侧 | VOLTAGE(电压) | 1 - 4 | 230V/50Hz |
| | EXCITING CURRENT LESS THAN 150mA At 230VAC/50Hz 在230V/50Hz时,空载电流小于150mA. | | |
| SECONDARY 次级侧 | NO LOAD VOLTAGE $\pm 3\%$ (空载电压) | FULL LOAD VOLTAGE $\pm 3\%$ (满载电压) | |
| | SEC1: | 294.1V - 0 - 50.1V - 294.1V | 276.5V-0-48.8V-276.5V 0.18A-0-0.02A-0.18A |
| | SEC2: | 14.4V - 0 - 14.4V | 13.75V - 0 - 13.75V 0.3A |
| | SEC3: | 3.4V - 0 - 3.4V | 3.15V - 0 - 3.15V 3.5A |

C. LEAD TABLE 引线

| NO.(编号) | COLOR(颜色) | TYPE(规格) | LENGTH(长度) | TERMINAL(端子) |
|---------|-----------|-----------|----------------|-----------------------|
| 1 | WHITE(白) | UL1617#20 | 240 \pm 10mm | 250 Pin and Protector |
| 2 | BLUE(蓝) | UL1617#20 | 180 \pm 10mm | 6mm Strip & Tin |
| 3 | BLACK(黑) | UL1617#20 | 180 \pm 10mm | |
| 4 | BROWN(棕) | UL1617#20 | 180 \pm 10mm | |
| 5 | RED(红) | UL1015#20 | 170 \pm 10mm | |
| 6 | BLACK(黑) | UL1015#20 | 170 \pm 10mm | 205 Pin and Protector |
| 7 | WHITE(白) | UL1015#20 | 170 \pm 10mm | |
| 8 | RED(红) | UL1015#20 | 170 \pm 10mm | |
| 9 | BLUE(蓝) | UL1015#20 | 270 \pm 10mm | |
| 10 | BROWN(棕) | UL1015#20 | 270 \pm 10mm | 205 Pin and Protector |
| 11 | BLUE(蓝) | UL1015#20 | 270 \pm 10mm | |
| 12 | GREEN(绿) | UL1015#18 | 180 \pm 10mm | |
| 13 | GREY(灰) | UL1015#18 | 150 \pm 10mm | 205 Pin and Protector |
| 14 | GREEN(绿) | UL1015#18 | 180 \pm 10mm | |

| | | | | | |
|---|----------------------|--------------------|------------|----------------|----------|
| UNIT: mm | DATE: Jan. 5th, 2013 | ITEM : REBEL PT-20 | | FAMILY NO. :02 | |
| 廣州豐僑機電設備有限公司 Guang Zhou Feng Chiao Electric Co.,Ltd No.48, Ruixiang Road, Xinhua Industrial Zone, Huadu Area, Guang Zhou, P,R China(P,C) | | DRAWN BY | CHECKED BY | APPROVED BY | REVISION |
| | | 黃愛儀 | 黃義昌 | | |

PART NO. : REBEL PT-30

D. TURNS AND MATERIAL 匝数和线径

| POLARIY | TURNS(匝数) | MATERIAL(线径) |
|----------------|------------------|---------------------|
| 1-2 | 291 TURNS | UEW ϕ 0.65mm |
| 2-3 | 50 TURNS | UEW ϕ 0.65mm |
| 3-4 | 329 TURNS | UEW ϕ 0.45mm |
| 5-6 | 857 TURNS | UEW ϕ 0.25mm |
| 6-7 | 146 TURNS | UEW ϕ 0.25mm |
| 7-8 | 711 TURNS | UEW ϕ 0.25mm |
| 9-10 | 42 TURNS | UEW ϕ 0.5mm |
| 10-11 | 42 TURNS | UEW ϕ 0.5mm |
| 12-13 | 10 TURNS | UEW ϕ 1.2mm |
| 13-14 | 10 TURNS | UEW ϕ 1.2mm |

a. TEMPERATURE RISE : 75°C(max) AT RATED LOAD RISE @ 25°C AMBIENT TEMPERATURE.

温升测试 : 在环境温度25°C的情况下,满载功率使用最大温升75°C.

b. INDUCED VOLTAGE : PRIMARY INPUT 460VAC / 400Hz FOR 15 SECONDS.

层间绝缘测试 : 初级侧输入电压460V,频率400Hz,测试15秒无击穿.

c1. HI-POT TEST : 3750VAC / 3mA x 1 MINUTE PRIMARY & SECONDARY.

耐高压测试 : 初级与次级之间输入3750VAC测试60秒漏电流小于3mA.

c2. HI-POT TEST : 1000VAC / 3mA x 1 MINUTE PRIMARY、SECONDARY & CORE .


耐高压测试 : 初次级与铁心之间输入1000VAC测试60秒漏电流小于3mA.

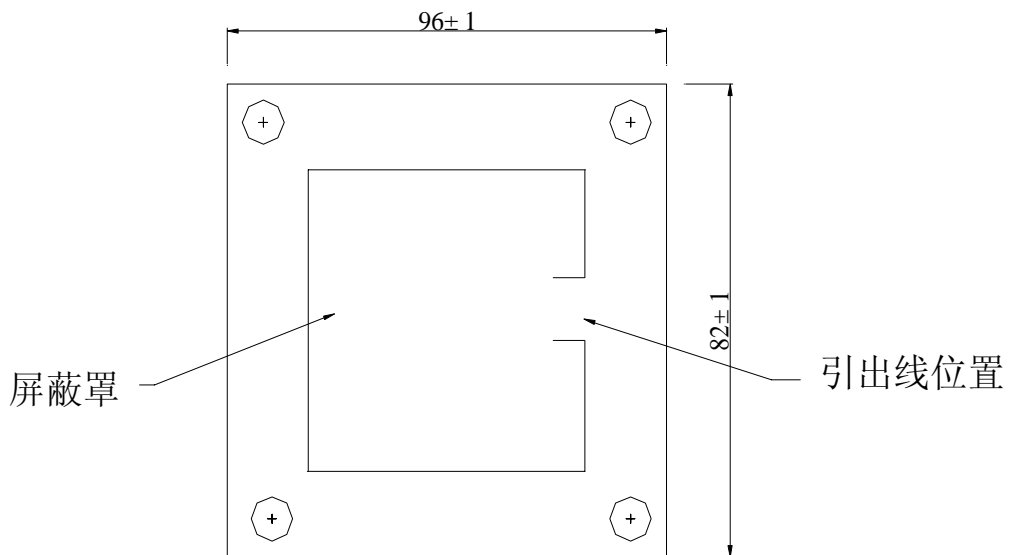
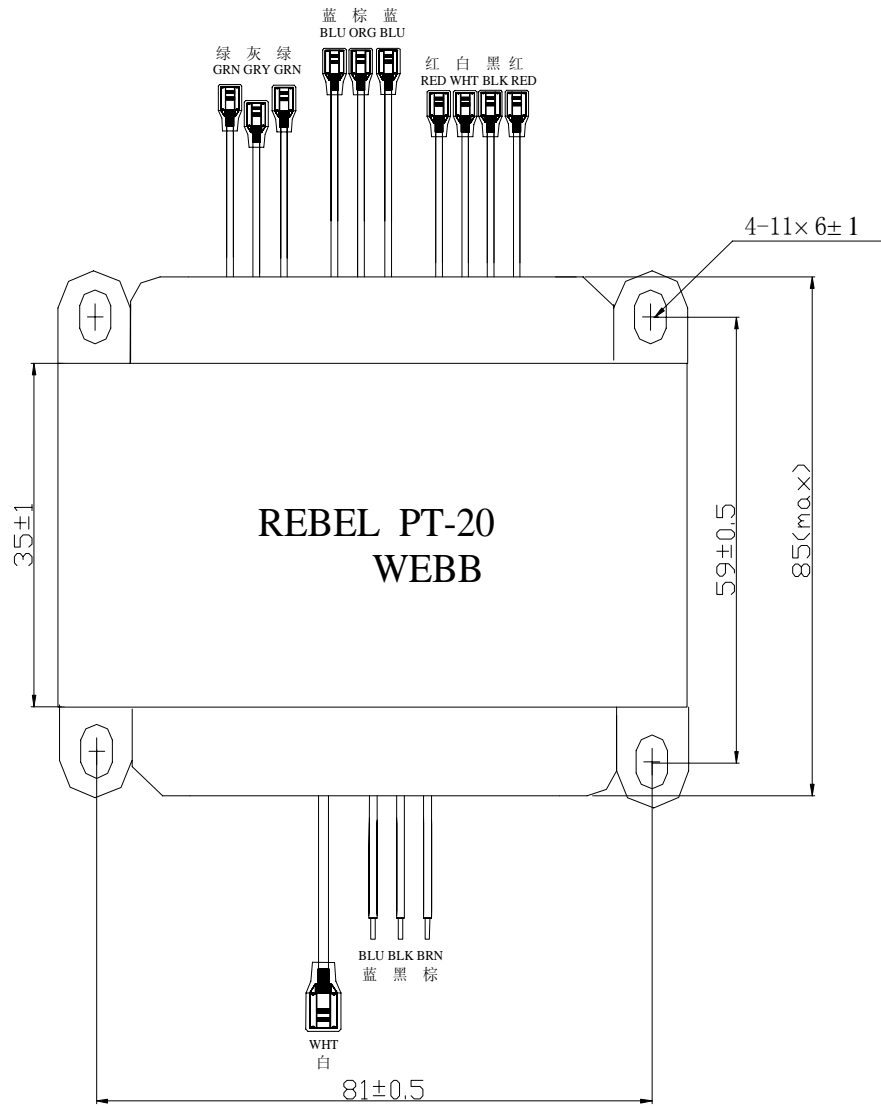
d. INSULATION RESISTANCE : 500VDC x 100M Ω x 1MINUTE PRIMARY & SECONDARY.

直流电阻测试 : 初级与次级之间输入500VDC测试60秒直流电阻大于50M Ω .

e. LEAD TENSILE TEST : LEADS MUST BE WITHSTAND A PULL OF 1.5KG FOR 15 SECONDS.

引线端子拉力测试 : 端子与电子线之间能承受15N的拉力15秒.

| | | | | | |
|---|--------------------|--------------------|------------|----------------|----------|
| UNIT: mm | DATE:Jan. 5th,2013 | ITEM : REBEL PT-20 | | FAMILY NO. :02 | |
|  廣州豐僑機電設備有限公司 Guang Zhou Feng Chiao Electric Co.,Ltd No.48, Ruixiang Road, Xinhua Industrial Zone, Huadu Area,Guang Zhou,P,R China(P,C) | | DRAWN BY | CHECKED BY | APPROVED BY | REVISION |
| | | 黃愛儀 | 黃義昌 | | |



UNIT:mm

DATE: Jan. 5th,2013

ITEM : REBEL PT-20

FAMILY NO.:02



廣州豐僑機電設備有限公司

GUANG ZHOU FENG CHIAO ELECTRIC CO.,LTD

DRAWN BY

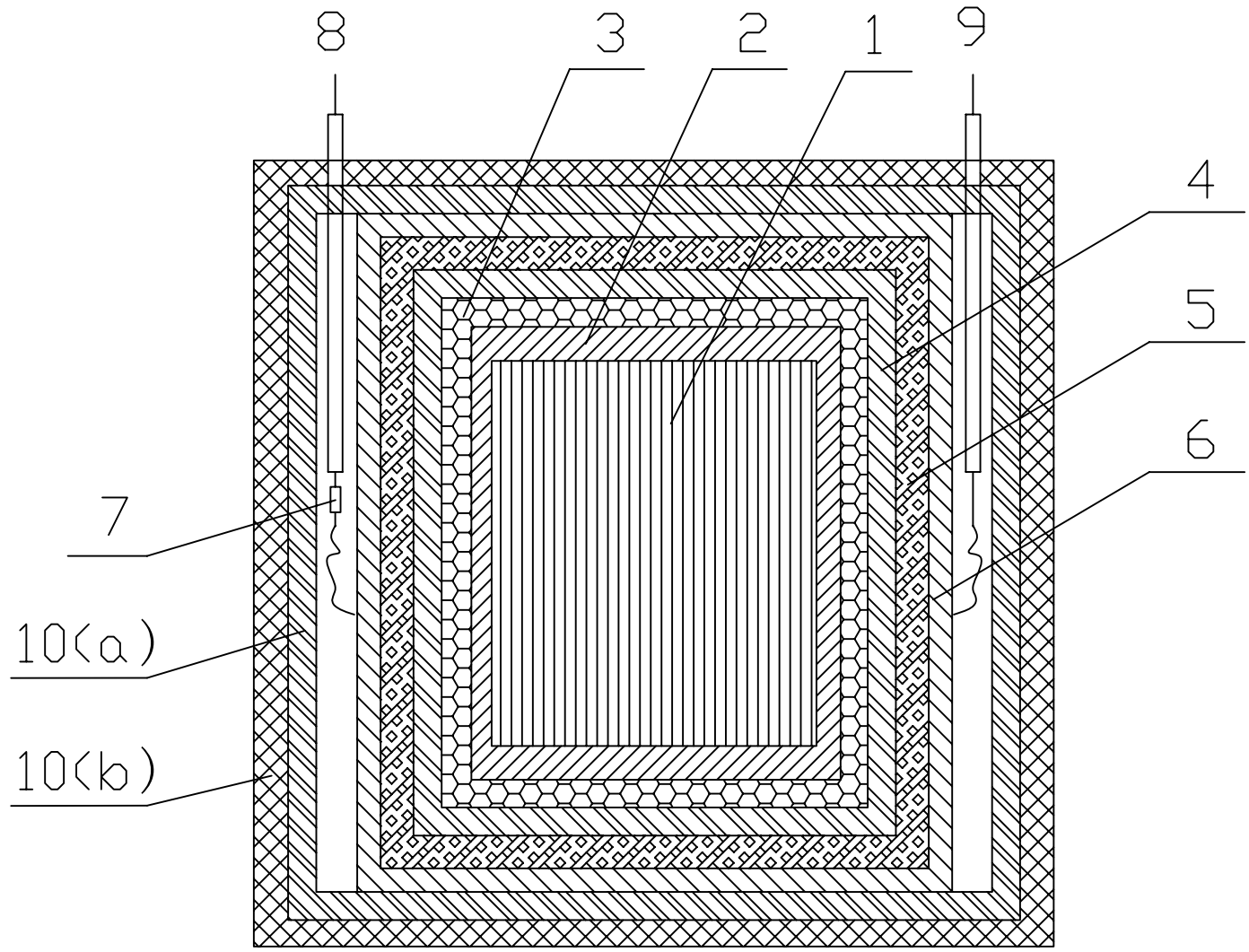
CHECKED BY

APPROVED BY

REVISION

黃愛儀

黃義昌



| | | | | | |
|--|---------------------|-------------------------|------------|----------------|----------|
| UNIT:mm | DATE: Jan. 5th,2013 | MODEL NO. : REBEL PT-20 | | FAMILY NO.: 02 | |
| 廣州豐橋機電設備有限公司 GUANG ZHOU FENG CHIAO ELECTRIC CO.,LTD | | DRAWN BY | CHECKED BY | APPROVED BY | REVISION |
| | | 黃愛儀 | 黃義昌 | | |

MATERIAL LIST

| NO. | ITEM | DESCRIPTION | UL NO. | SUPPLIER/MANUFACTURER |
|-----|---|---|--|--|
| 1 | Core鐵芯 | EI 96(H50A/0.5mm) | | DONG GUAN DONG JUN ELECTRICAL APPLIANCES CO.,LTD OR OTHER EQUALITY MAKER |
| 2 | Bobbin骨架 | Polyamide 66 (PA66) 工字型(96×35) | E41938 | E I DUPONT DE NEMOURS & CO INC OR OTHER EQUIVALENT MAKER |
| 3 | Primary Winding 初级绕组 | PEW UEW | E344055 E152187 E174837 E192838 | DONG GUAN YIDA INDUSTRIAL CO LTD TA WIN INDUSTRIES (M) SDN BHD JUNG SHING WIRE CO LTD JIANGMEN CITY JIANG CI ELECTRICAL APPLIANCES ENTERPRISE CO.,LTD OR OTHER EQUALITY MAKER |
| 4 | Primary To Secondary Insulation 初次级侧间绝缘 | Polyester Insulation Tape:35660 with acry- lic adhesive (thickness:0.06mm) Polyethylene terephthalate film tape,Cat. No: CT with suffixes (thickness:0.05mm) | E50292 E165111 | SYMBIO INC JINGJIANG YAHUA PRESSURE SENSITIVE GLUE CO., LTD OR OTHER EQUALITY MAKER |
| 5 | Secondary Winding 次级绕组 | PEW UEW | E344055 E152187 E174837 E192838 | DONG GUAN YIDA INDUSTRIAL CO LTD TA WIN INDUSTRIES (M) SDN BHD JUNG SHING WIRE CO LTD JIANGMEN CITY JIANG CI ELECTRICAL APPLIANCES ENTERPRISE CO.,LTD OR OTHER EQUALITY MAKER |
| 6 | Secondary InsulationTape 次级侧绝缘 | Polyester Insulation Tape:35660 with acry- lic adhesive (thickness:0.06mm) Polyethylene terephthalate film tape,Cat. No: CT with suffixes (thickness:0.05mm) | E50292 E165111 | SYMBIO INC JINGJIANG YAHUA PRESSURE SENSITIVE GLUE CO., LTD OR OTHER EQUALITY MAKER |
| 7 | Thermal Breaker 温度开关 | ST-22 130℃ | E162183 | SEKI CONTROLS CO LTD OR OTHER EQUALITY MAKER |
| 8 | Primary Lead Wire 初级引出线 | UL1617AWG#20 | E250866 E251491 E332522 E148000 | KELIN WIRE (DONG GUAN) CO., LTD DONGGUAN XIEHE WIRE CO LTD DONGGUAN DANYANG ELECTRONIC WIRE COLTD LTK WIRING CO LTD OR OTHER EQUALITY MAKER |
| 9 | Secondary Lead Wire 次级引出线 | UL1015AWG#18 UL1015AWG#20 | E250866 E251491 E332522 E148000 | KELIN WIRE (DONG GUAN) CO., LTD DONGGUAN XIEHE WIRE CO LTD DONGGUAN DANYANG ELECTRONIC WIRE COLTD LTK WIRING CO LTD OR OTHER EQUALITY MAKER |
| 10 | Outer Insulation 外层绝缘 | a) Mylar PET Film: ERE 0.125mm b)Polyester Insulation Tape:35660 with acry- lic adhesive (thickness:0.06mm) Polyethylene terephthalate film tape,Cat. No: CT with suffixes (thickness:0.05mm) | E110983 E93687 E50292 E165111 | GARWARE POLYESTER LTD DUPONT TEIJIN FILMS U S L P SYMBIO INC JINGJIANG YAHUA PRESSURE SENSITIVE GLUE CO., LTD OR OTHER EQUALITY MAKER |
| ☆ | Connector 连接端子 | 205 Pin and 250 Pin 205 Protector and 250 Protector | E207921 E233894 | JIAN HUI METAL PLASTIC PART FACTORY YUEQING TIANDA ELECTRICAL JACKET CO.,LTD OR OTHER EQUALITY MAKER |
| | Insulation Varnish 绝缘漆 | Better 116C4 Better 101 | E230067 | GUANG ZHOU BETTER NEW MATERIALS CO LTD OR OTHER EQUALITY MAKER |

UNIT: mm

DATE: Jan. 5th,2013

ITEM :REBEL PT-20

FAMILY NO. :02



廣州豐僑機電設備有限公司

Guang Zhou Feng Chiao Electric Co.,Ltd

No.48, Ruixiang Road, Xinhua Industrial Zone ,

Huadu Area,Guang Zhou,P,R China(P,C)

DRAWN BY

CHECKED BY

APPROVED BY

REVISION

黃愛儀

黃義昌