

SHR SOUND CORPORATION
 9130 GLENOAKS BLVD.
 SUN VALLEY, CA 91352
 TEL: (818) 253-4797 FAX: (818) 253-4799
<http://www.shr99.com>

Title: **BASS 700** PREAMP
 Size: Document Number 700050
 Date: May 10, 1999 Sheet 1 of 1

BIAS PROCEDURE SM-400/SM-900/ST-800

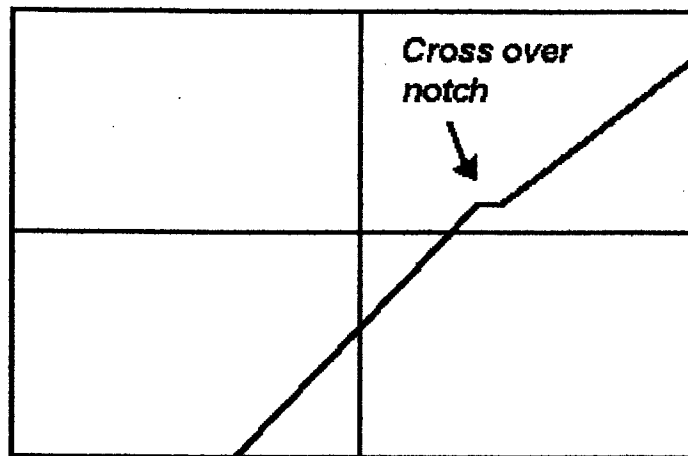
Equipment required:

**Sinewave generator
2 ohm, 250 watt load
AC millivolt meter
Oscilloscope**

- 1. Lower signal generator output to minimum, set frequency to 1KHz and insert into "mono" effects return jack (unbalanced line in for Stereo 800).**
- 2. Set Power Amp Assign Switch on back panel to "Stereo" position (up). Plug 2 ohm dummy load in channel to be tested.**
- 3. Raise Master Volumes on SM-900 and ST-800 to full clockwise. Set Effects Blend control on SM-900 to "wet" (full clockwise). Set Balance control on SM-400 to mid-position.**
- 4. Adjust bias trim pots to full counter-clockwise position.**
- 5. Turn on/off switch to "on" position. Connect unit to autotransformer (variac) and raise AC line level to 115 volts.**
- 6. Position ground reference on oscilloscope just above center line of screen.**
- 7. Raise signal generator level so that 2 volts RMS appears at the speaker output.**
- 8. Monitor signal on scope with the following settings:
Load: 2 ohms
Scope: Sweep Time: 50us Volts/Div: 0.2V
Signal Generator: Freq. 1KHz**

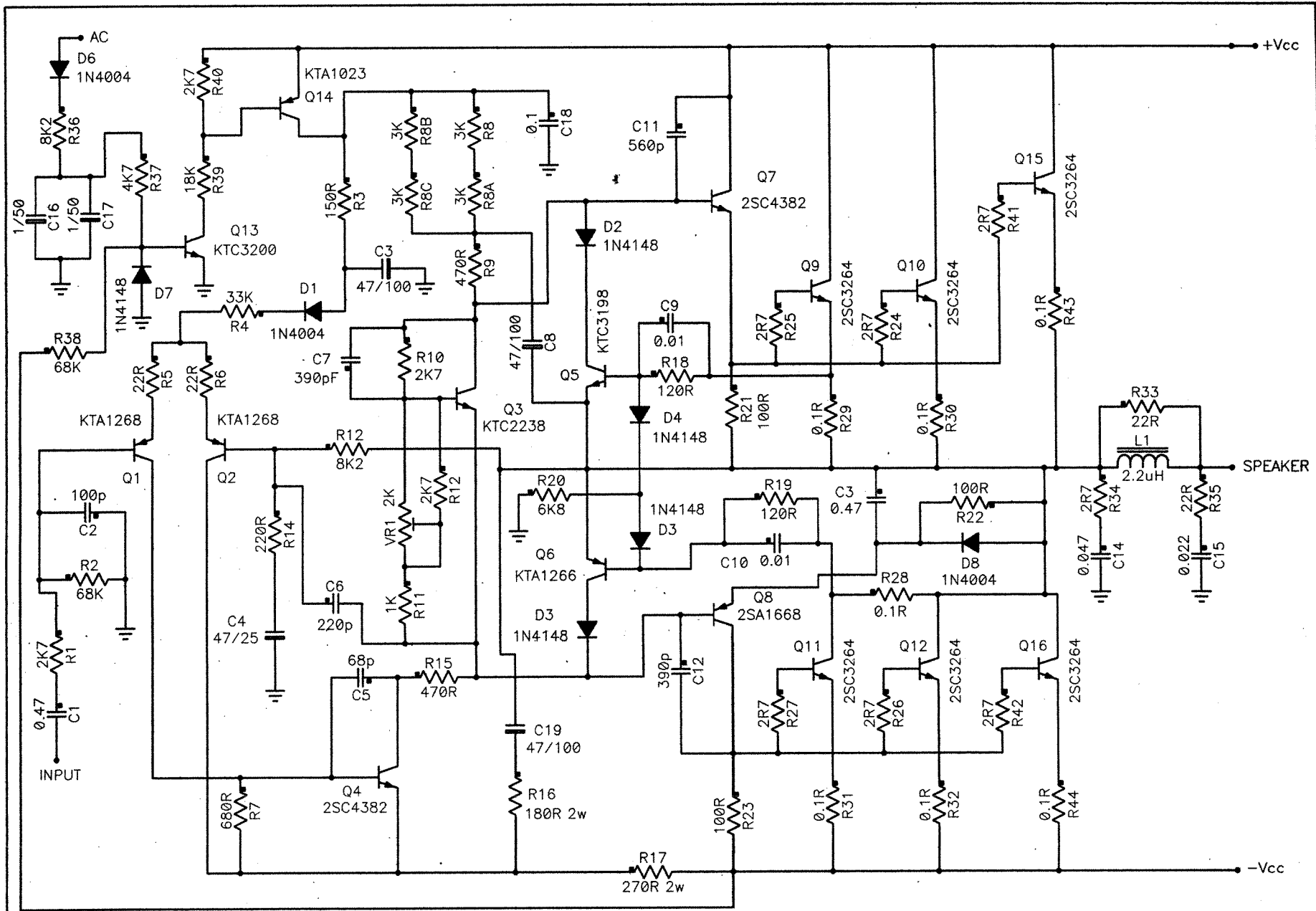
9. The signal should have a prominent crossover notch at about zero crossing. Refer to diagram below.

Figure 1.



10. Adjust bias trimpot of amp being tested just past the point the crossover notch disappears. DO NOT OVER ADJUST as this will set the idle current too high and the power amp will overheat

11. Repeat procedure for other side.



USED FOR PART # 700051

Power Amp Module

TITLE	700001-RH	FILENAME	SWR1-2.S01
DRAWN BY	S.MANTZ	DATE	9/16/99 →
		REV	B/C

Bass 750

Blue Boards only!

700051

Quan	Type	Value	Ref Designators
2	C	0.47	C1,C3
2	C	0.01	C10,C9
1	C	560p	C11
1	C	390p	C12
1	C	0.047	C14
1	C	0.022	C15
1	C	0.1	C18
1	C	100p	C2
1	C	68p	C5
1	C	220p	C6
1	C	390pF	C7
1	COIL	2.2uH	L1
3	D	1N4004	D1,D6,D8
4	D	1N4148	D2,D3,D4,D7
2	EC	1/50	C16,C17
3	EC	47/100	C19,C3,C8
1	EC	47/25	C4

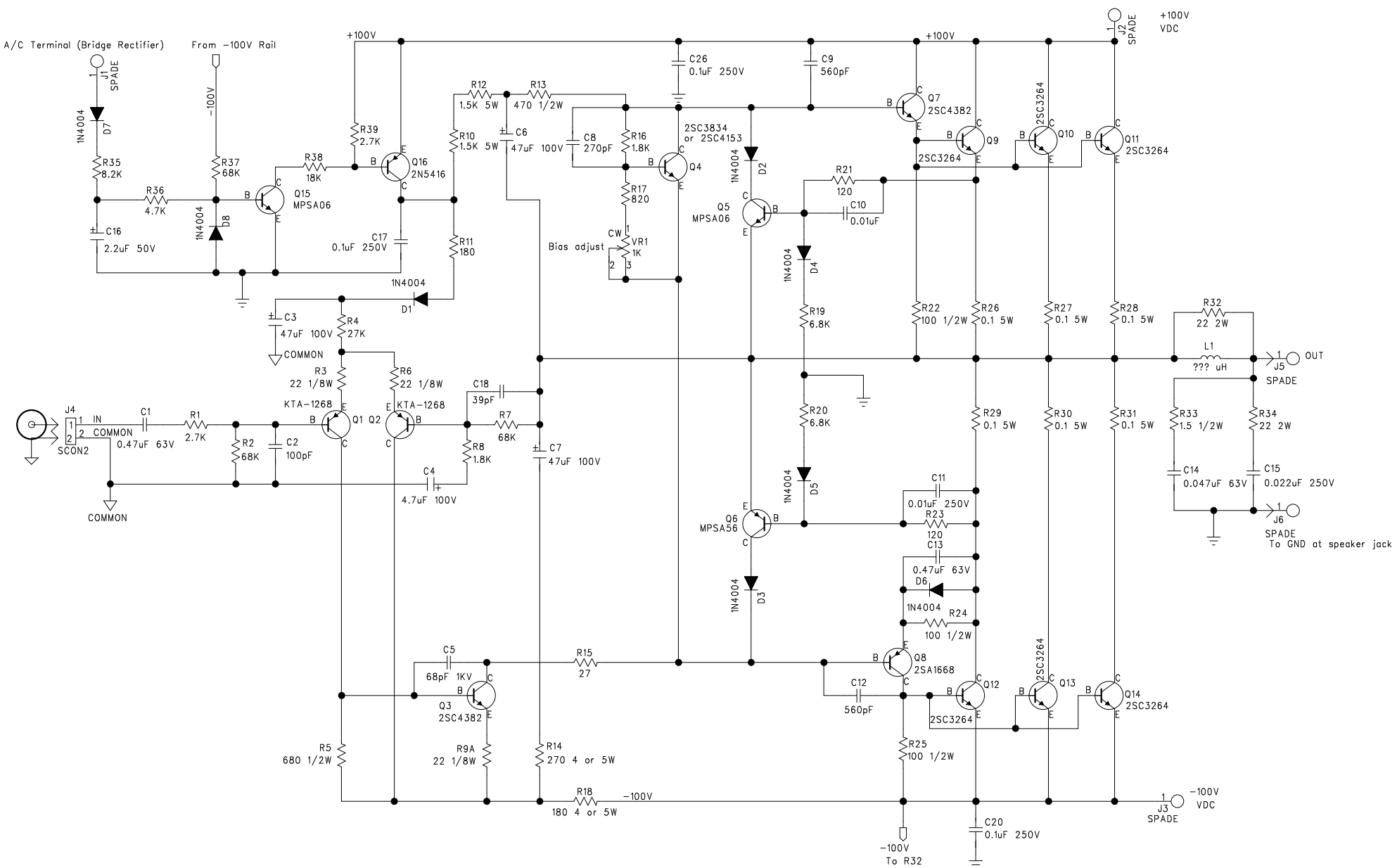
700051

Quan	Type	Value	Ref Designators
6	NPN	2SC3264	Q10,Q11,Q12,Q15,Q16,Q9
1	NPN	KTC3200	Q13
1	NPN	KTC2238	Q3
2	NPN	2SC4382	Q4,Q7
1	NPN	KTC3198	Q5
2	PNP	KTA1268	Q1,Q2
1	PNP	KTA1023	Q14
1	PNP	KTA1266	Q6
1	PNP	2SA1668	Q8
3	R	2K7	R1,R10,R40
1	R	1K	R11
1	R	2K7	R12
1	R	220R	R14
2	R	470R	R15,R9
1	R	180R	R16
1	R	270R	R17
2	R	120R	R18,R19

700051

Quan	Type	Value	Ref Designators
2	R	68K	R2,R38
1	R	6K8	R20
3	R	100R	R21,R22,R23
7	R	2R7	R24,R25,R26,R27,R34,R41,R42
7	R	0.1R	R28,R29,R30,R31,R32,R43,R44
1	R	150R	R3
4	R	22R	R33,R35,R5,R6
1	R	8K2	R36
1	R	4K7	R37
1	R	18K	R39
1	R	33K	R4
1	R	680R	R7
4	R	3K	R8,R8A,R8B,R8C
1	TRIM	2K	VR1

Total Parts: 90



Q14 2N5416	Q3&Q7 2SC4382	Q6 MPSA56
	Q4 2SC3834	Q5&Q13 MPSA06
	Q8 2SA1668	
Bottom View	Q9-Q12 2SC3264	
	Q1&Q2 KTA-1268	
		All Others Front View

NOTES (Unless otherwise specified):
 1. All resistor in ohms, 1/4 watt, 5%
 2. PCB part # for all units is 170033B
 Module is 700051

SWR Sound Corp.

SWR750 - Power Amp Module

June 2002 Revision E Page 1 of 1