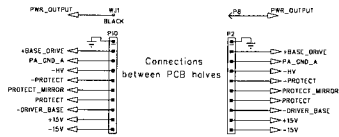
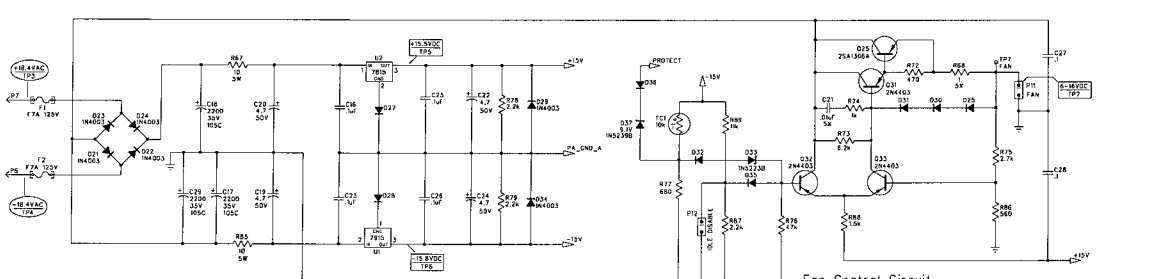
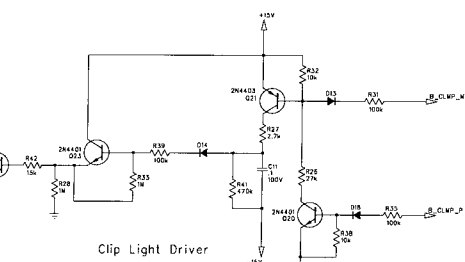
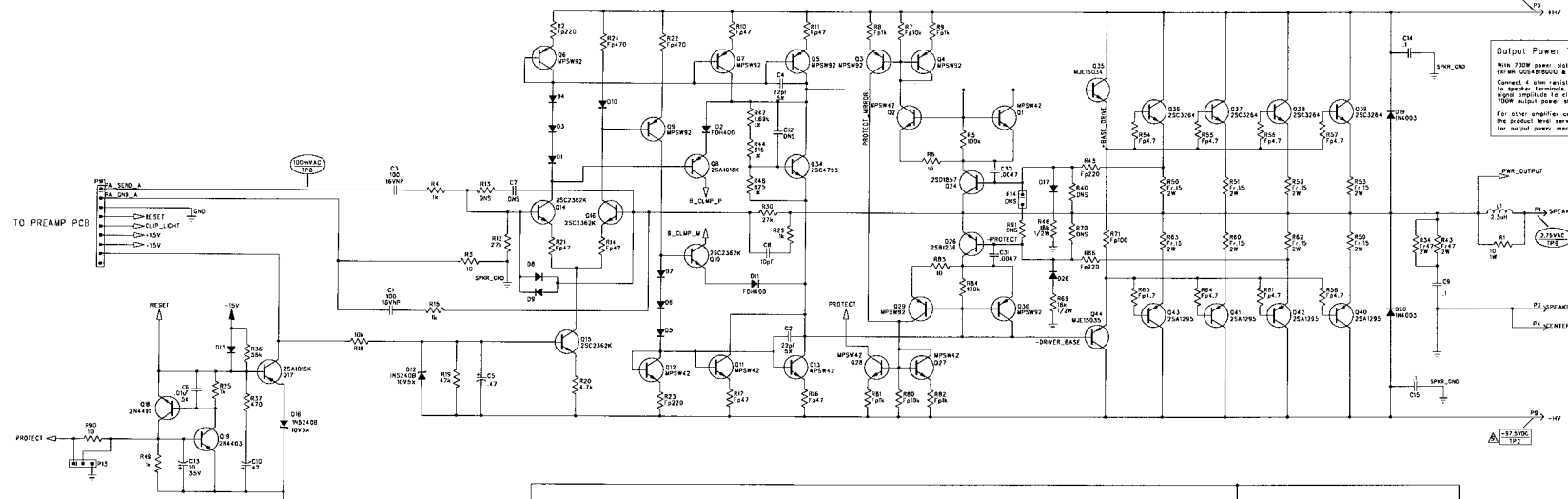


REVISIONS			
REV.	DESCRIPTION	DATE	APPROVED
A	PR632	30-JUL-04	B.H.
B	EC3147	30-SEP-04	S.M.B.
C	EC3174	07-JAN-05	S.M.B.
D	EC3213	14-APR-05	S.M.B.
E	EC3279	11-OCT-05	S.M.B.



Output Power Test:

With 700W game platform connected (HW 004818000 & PS 00480833000). Connect a new oscilloscope to speaker terminals. Increase input signal amplitude to 100% of 1000 Hz. 700W output power should be observed. For other amplifier configurations, refer to the product level service diagram and test plan for output power measurements.



1. THIS SCHEMATIC SHEET IS FOR PCB FABRICATION P/N 004818000 AND PCB ASSEMBLY P/N 004818000.
2. DO NOT REUSE: C1, C2, R1, R2, R3, R4, R5, R6, R7, R8, R9, R10, R11, R12, R13, R14, R15, R16, R17, R18, R19, R20, R21, R22, R23, R24, R25, R26, R27, R28, R29, R30, R31, R32, R33, R34, R35, R36, R37, R38, R39, R40, R41, R42, R43, R44, R45, R46, R47, R48, R49, R50, R51, R52, R53, R54, R55, R56, R57, R58, R59, R60, R61, R62, R63, R64, R65, R66, R67, R68, R69, R70, R71, R72, R73, R74, R75, R76, R77, R78, R79, R80, R81, R82, R83, R84, R85, R86, R87, R88, R89, R90, R91, R92, R93, R94, R95, R96, R97, R98, R99, R100.
3. ALL DIMENSIONS IN MILLIMETERS UNLESS OTHERWISE NOTED.
4. ALL DIMENSIONS IN INCHES UNLESS OTHERWISE NOTED.
5. ALL DIMENSIONS IN MILLIMETERS UNLESS OTHERWISE NOTED.
6. ALL DIMENSIONS IN INCHES UNLESS OTHERWISE NOTED.
7. ALL DIMENSIONS IN MILLIMETERS UNLESS OTHERWISE NOTED.
8. ALL DIMENSIONS IN INCHES UNLESS OTHERWISE NOTED.
9. ALL DIMENSIONS IN MILLIMETERS UNLESS OTHERWISE NOTED.
10. ALL DIMENSIONS IN INCHES UNLESS OTHERWISE NOTED.

THIS DOCUMENT CONTAINS INFORMATION OF A PROPRIETARY NATURE TO FEDERAL MILITARY INSTRUMENTS AND IS SUBMITTED TO YOU IN CONFIDENCE AND SHALL NOT BE DISCLOSED OR TRANSMITTED TO OTHERS WITHOUT APPROVAL FROM FENDER MUSIC INSTRUMENTS.

SWR
Corona, CA U.S.A.

TITLE: SERVICE DIAGRAM, COMBINED (Electronic)
SWR 500/1000 POWER AMP

CHECKED BY: *[Signature]*
DATE: 11/07/05

APPROVED BY: *[Signature]*

DATE: 11/07/05

DRAWN: W. HUGHES/LEOR W. HUGHES
DATABASE FILE: 663265.SCH

SIZE: DRAWING NUMBER
D 0064549000

RELEASE DATE: 29-JUL-04 SHEET: 1 OF 2