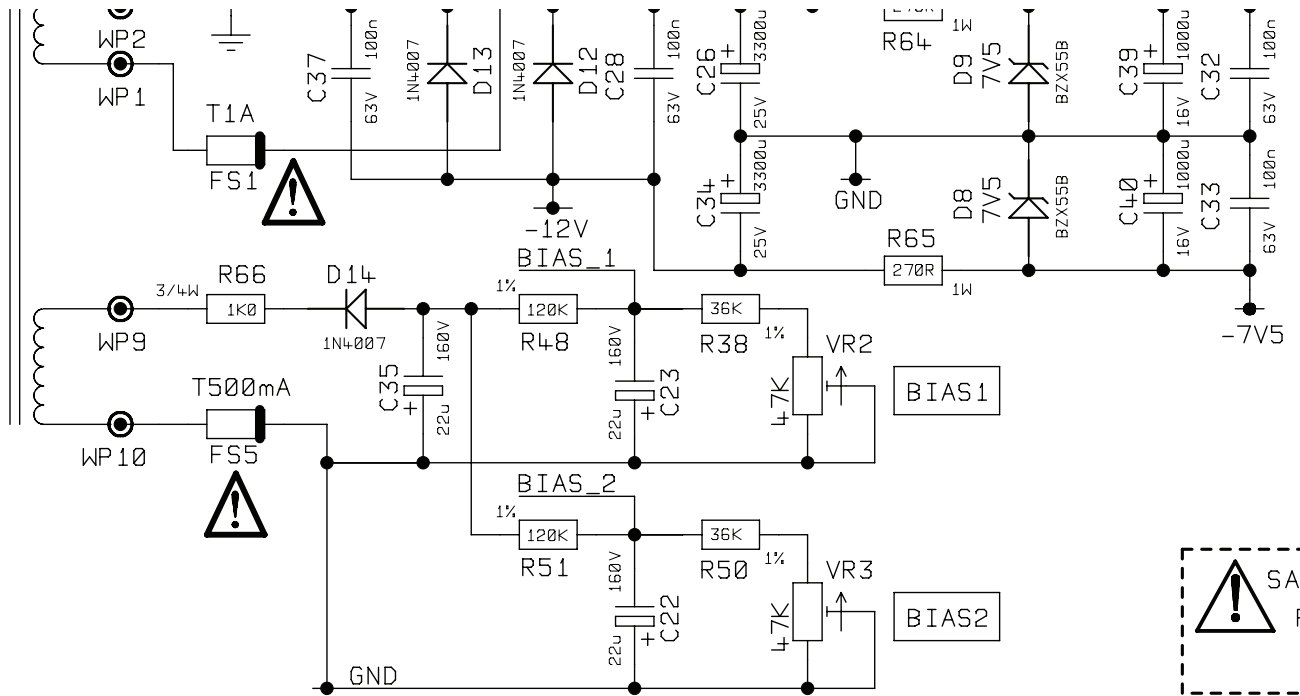


U

6



SAFETY CRITICAL
REPLACE WITH
TYPE /

A

B

C