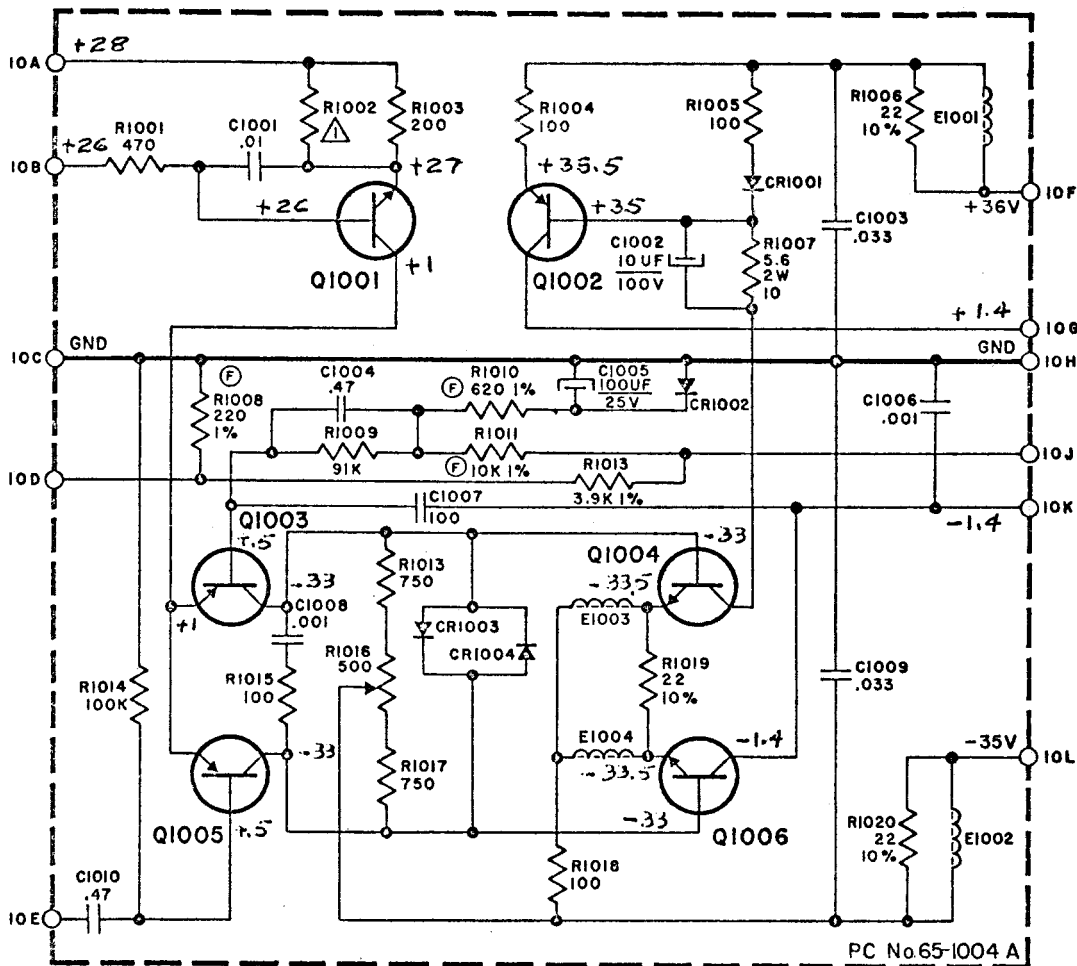


# DRIVER BOARD II-1002



SYMBOL	PART NO.
Q1001	34-1007
Q1002	34-1005
Q1003	34-1007
Q1004	34-1004
Q1005	34-1007
Q1006	34-1004

SYMBOL	PART NO.
CR1001	35-1000
CR1002	35-1014
CR1003	
CR1004	
R1016	33-1011

UNLESS OTHERWISE NOTED:

ALL RESISTORS ARE IN OHMS 1/4 W 5%

ALL CAPACITORS IN DECIMALS ARE UF

ALL OTHERS ARE PF

Ⓢ DENOTES PRECISION FILM RESISTORS

⚠ SELECTED FOR OPTIMUM VALUE

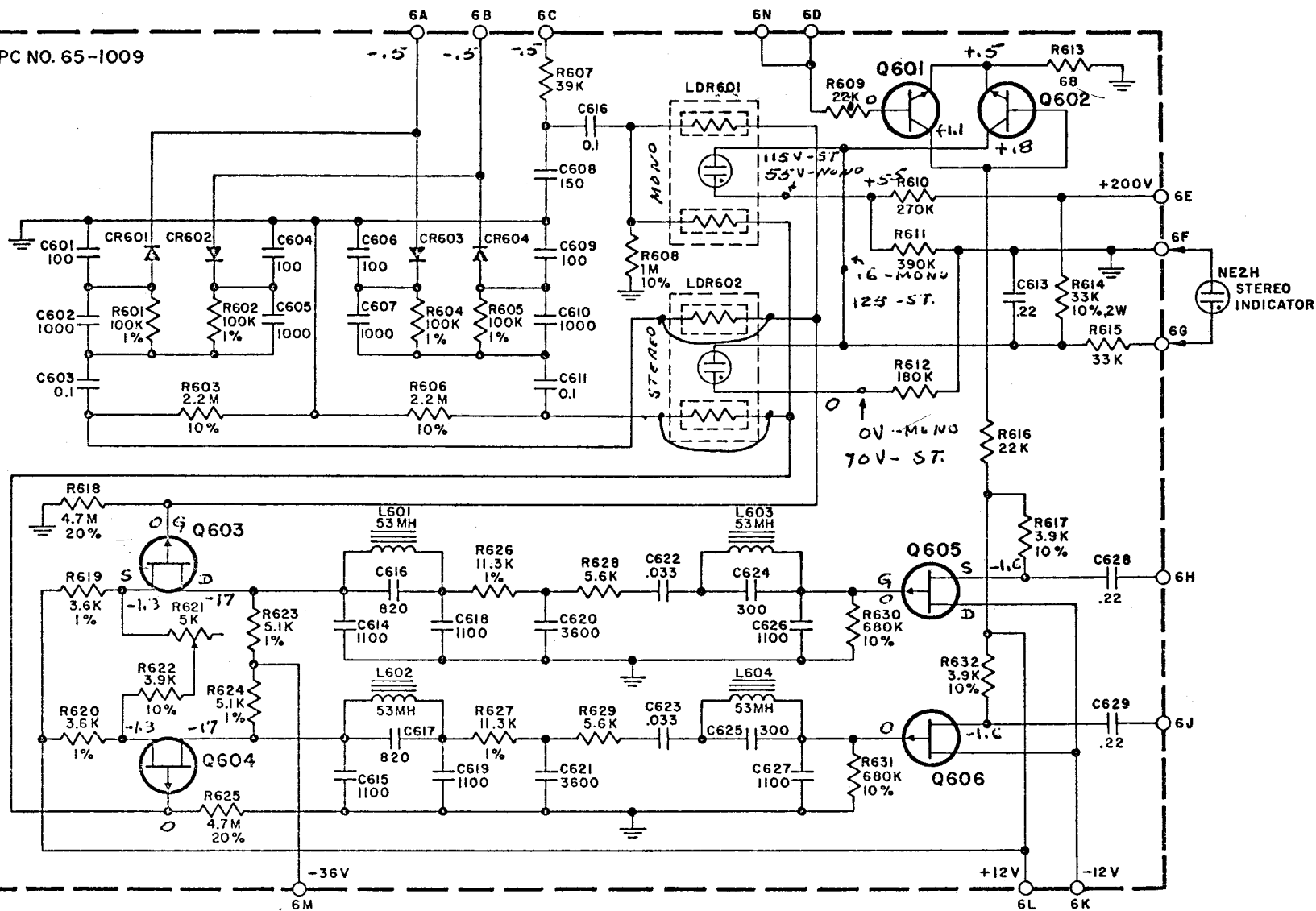
ISS	REVISION	DATE
<b>MARANTZ</b>		
<b>DRIVER</b>		
DWN		
APP		
<b>99-1056</b>		

C1010  
R1020

DC VOLTAGES MEASURED WITH NO SIGNAL INPUT

MPX MATRIX BOARD II-1003

PC NO. 65-1009



SYMBOL	PART NO.
R621	33-1009
CR601	35-1016
CR602	
CR603	
CR604	
L601	11-1017
L602	
L603	
L604	

SYMBOL	PART NO.
Q603	34-1012
Q604	
Q605	
Q606	
Q601	34-1009
Q602	34-1017
LDR601	11-1011
LDR602	

UNLESS OTHERWISE NOTED:

ALL RESISTORS ARE IN OHMS 1/4 W 5%

ALL CAPACITORS IN DECIMALS ARE UF

ALL OTHERS ARE PF

ALL 1% RESISTORS PRECISION FILM

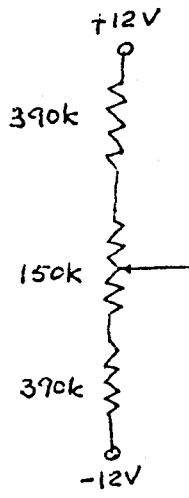
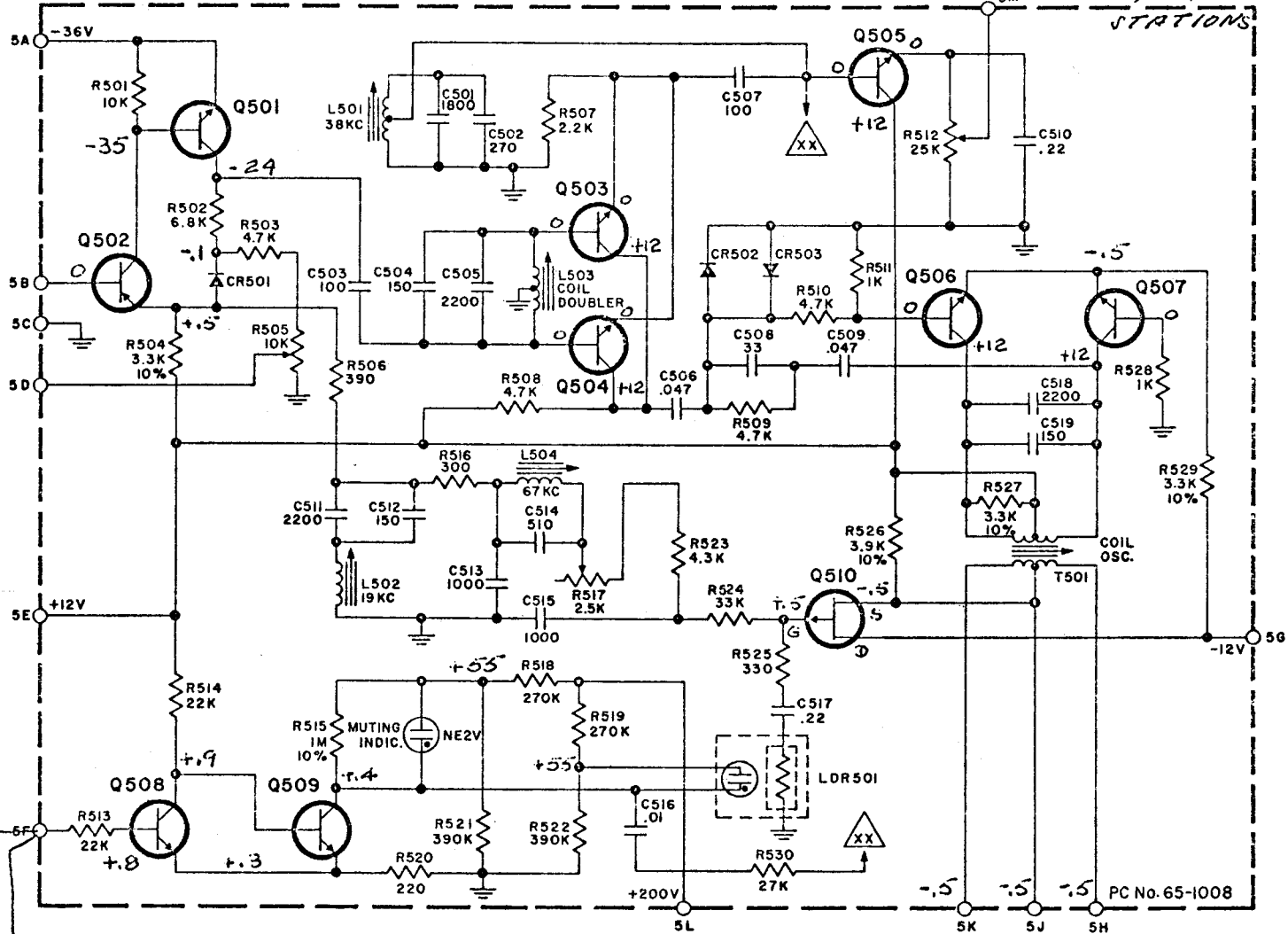
DC VOLTAGES MEASURED WITH  
NO SIGNAL INPUT

ISS	REVISION	DATE
MARANTZ		
MPX MATRIX		
DWN		
APP		
99-1052		

C629  
R632

MPX OSC. BOARD 11-1004

1.5 TO 4VDC ON STRONG STEREO STATIONS



FROM LIMITER

SYMBOL	PART NO.
R505	33-1005
R512	33-1006
R517	33-1010

SYMBOL	PART NO.
Q503	34-1009
Q504	
Q505	
Q508	
Q501	34-1010
Q506	
Q507	
Q502	34-1008
Q509	34-1017
Q510	34-1012

SYMBOL	PART NO.
CR502	35-1016
CR503	
CR501	35-1000
LDR501	11-1010
L501	11-1014
L502	11-1015
L503	11-1013
L504	11-1016
T501	11-1012

UNLESS OTHERWISE NOTED:  
ALL RESISTORS ARE IN OHMS 1/4 W 5%  
ALL CAPACITORS IN DECIMALS ARE UF  
ALL OTHERS ARE PF

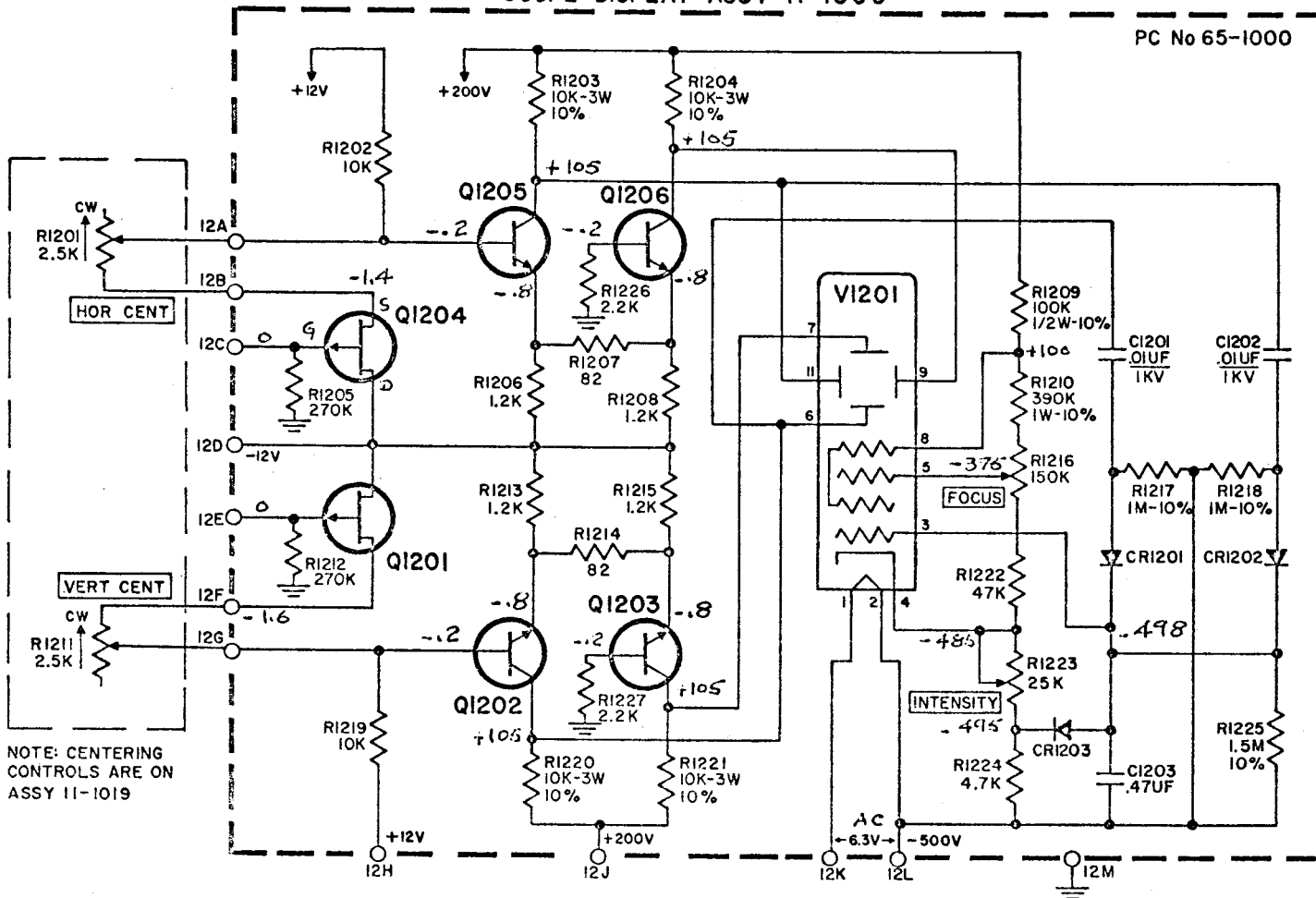
DC VOLTAGES MEASURED  
WITH TERMINAL 5B  
SHORTED TO GROUND  
NO SIGNAL, MUTING ON

ISS	REVISION	DATE
	MARANTZ	
	MPX OSC.	
DWN		
APP		
	99-1051	

12 V. REGULATED

# SCOPE DISPLAY ASSY 11-1005

PC No 65-1000



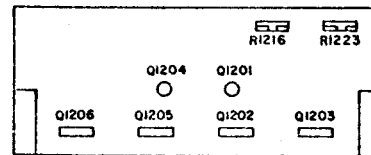
NOTE: CENTERING CONTROLS ARE ON ASSY 11-1019

UNLESS OTHERWISE NOTED:  
ALL RESISTORS ARE IN OHMS 1/4W 5%

SYMBOL	PART NO.
Q1201,1204	34-1030
Q1202,1203	34-1006
CR1201,1202	35-1004
CR1203	35-1014
V1201	37-1000
R1216	33-1008
R1223	33-1006
R1201,1211	33-1004

OR 34-1012

FOCUS  
INTENSITY  
H & V CENT



COMPONENT SIDE

ISS	REVISION	DATE

MARANTZ

SCOPE DISPLAY

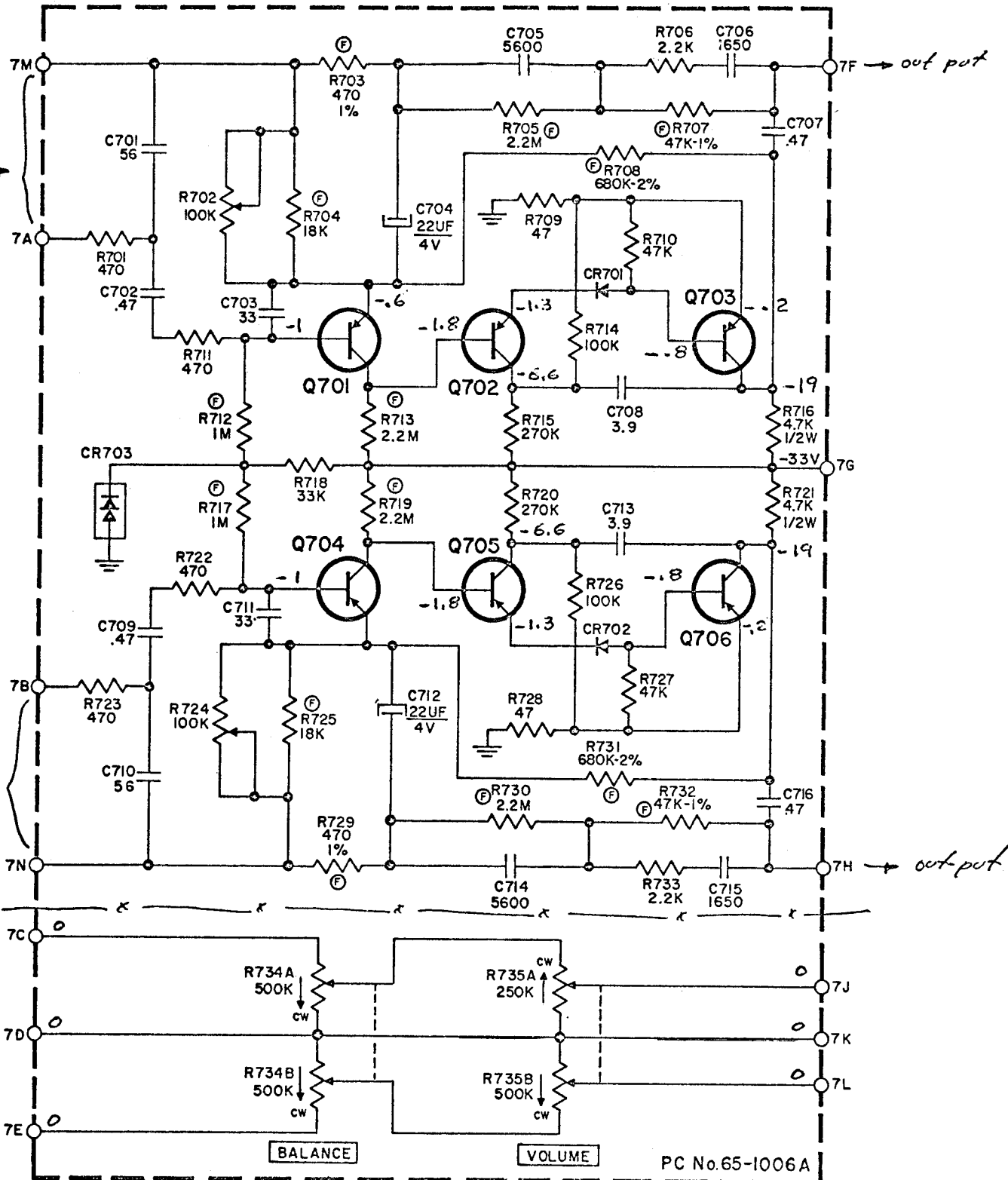
DWN: FA  
APP

R1227  
C1203

99-1057

DC VOLTAGES MEASURED WITH SCOPE  
TRACE CENTERED, NO SIGNAL INPUT

PHONO AMPLIFIER BOARD ASSY 11-1006



UNLESS OTHERWISE NOTED:  
 ALL RESISTORS ARE IN OHMS 1/4W 5%  
 ALL CAPACITORS IN DECIMALS ARE UF  
 ALL OTHERS ARE PF  
 © DENOTES PRECISION FILM RESISTOR

DC VOLTAGES MEASURED WITH  
 NO SIGNAL INPUT

SYMBOL	PART NO
Q701,702	34-1008
704,705	34-1011
Q703,706	34-1011
CR701,702	35-1014
CR703	35-1001
R702,724	33-1007
R734A,B	33-1001
R735A,B	33-1000

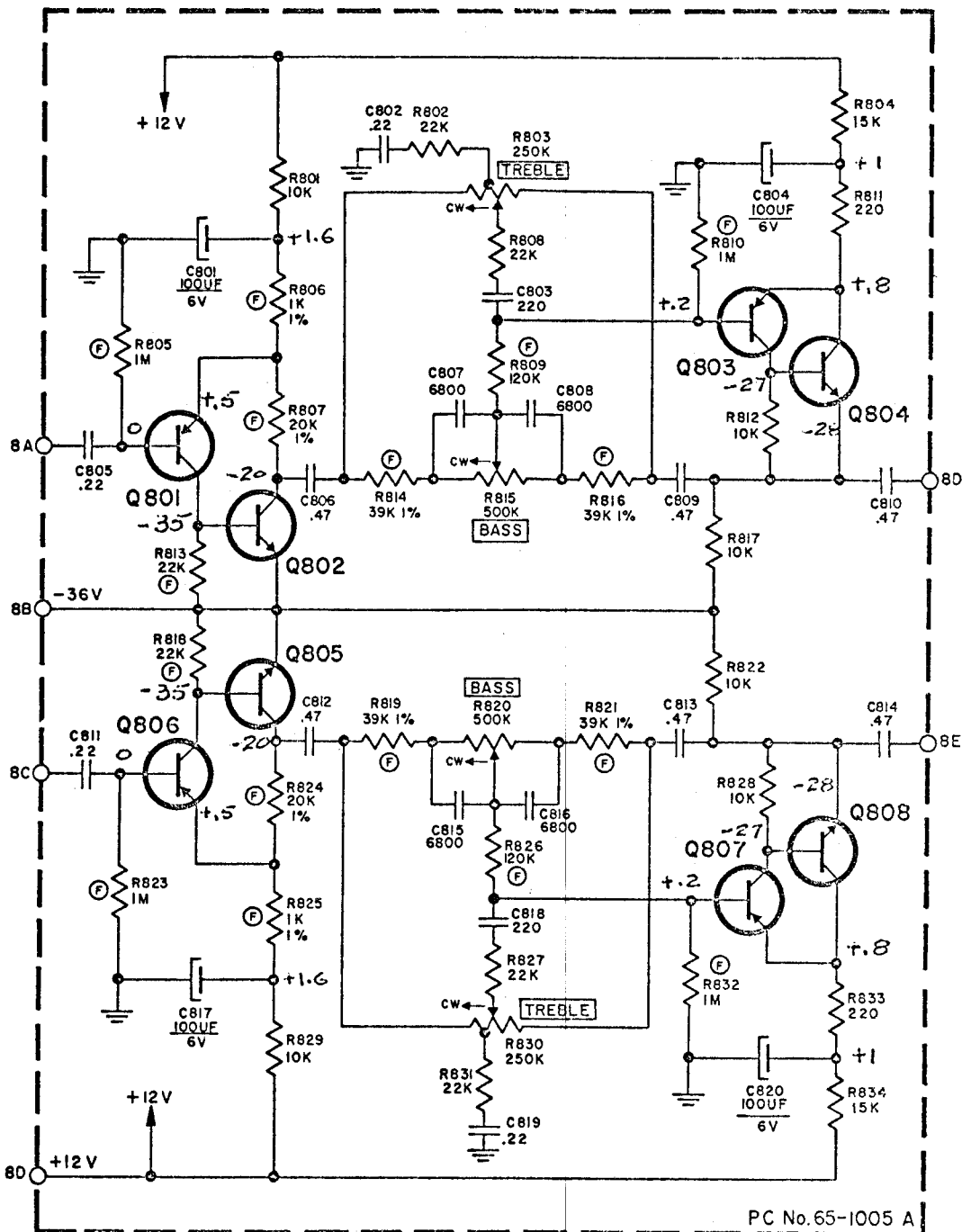
VOLUME  
 BALANCE

ISS	REVISION	DATE
MARANTZ		
PHONO AMPLIFIER		
DWN		
APP		
99-1053		

R735  
 C716

PC No.65-1006A

# TONE AMPLIFIER BOARD II-1007



PC No. 65-1005 A

UNLESS OTHERWISE NOTED:

ALL RESISTORS ARE IN OHMS 1/4W 5%  
ALL CAPACITORS IN DECIMALS ARE UF  
ALL OTHERS ARE PF

(F) DENOTES PRECISION FILM RESISTORS

SYMBOL	PART NO.	
R830,803	33-1003	TREBLE
R820,815	33-1002	BASS
Q801,806 803,807	34-1008	
Q802,805 804,808	34-1010	

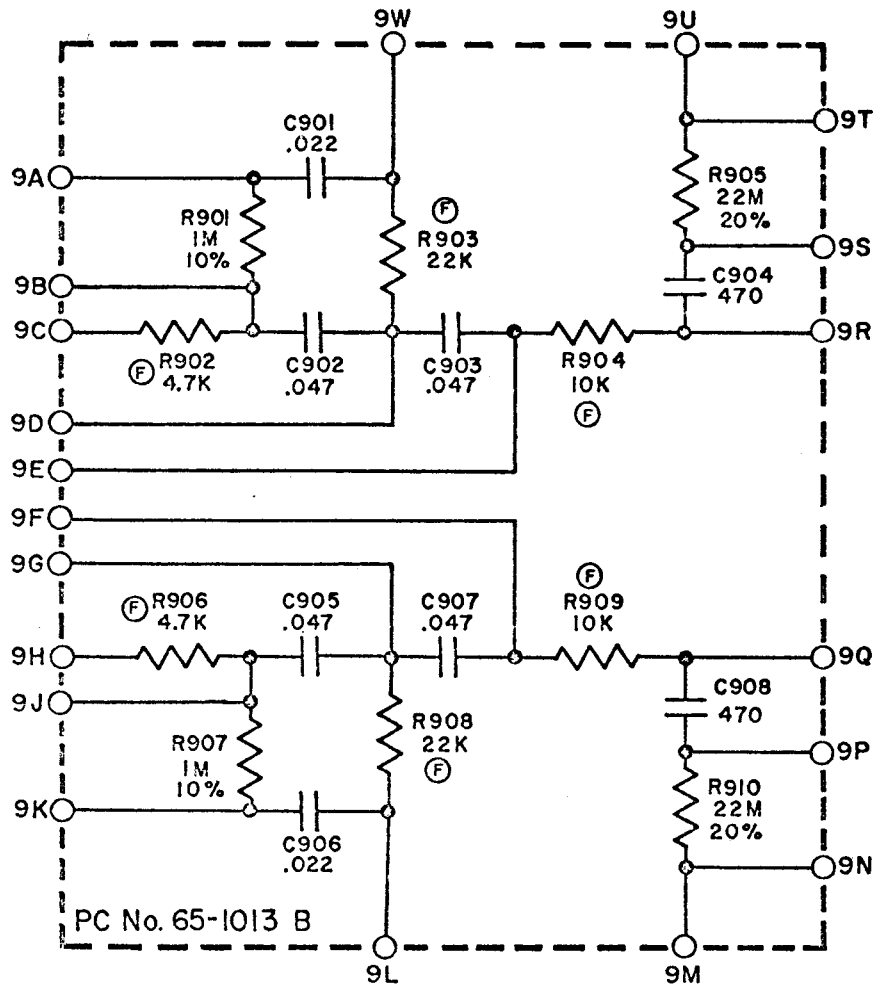
ISS	REVISION	DATE
MARANTZ		
TONE AMPLIFIER		
DWN		
APP		
99-1054		

DC VOLTAGES MEASURED WITH BASS & TREBLE  
CONTROLS FLAT, NO SIGNAL INPUT

R834  
C820



# HI-LO FILTER BOARD



UNLESS OTHERWISE NOTED:

ALL RESISTORS ARE IN OHMS 1/4 W 1%

ALL CAPACITORS IN DECIMALS ARE UF

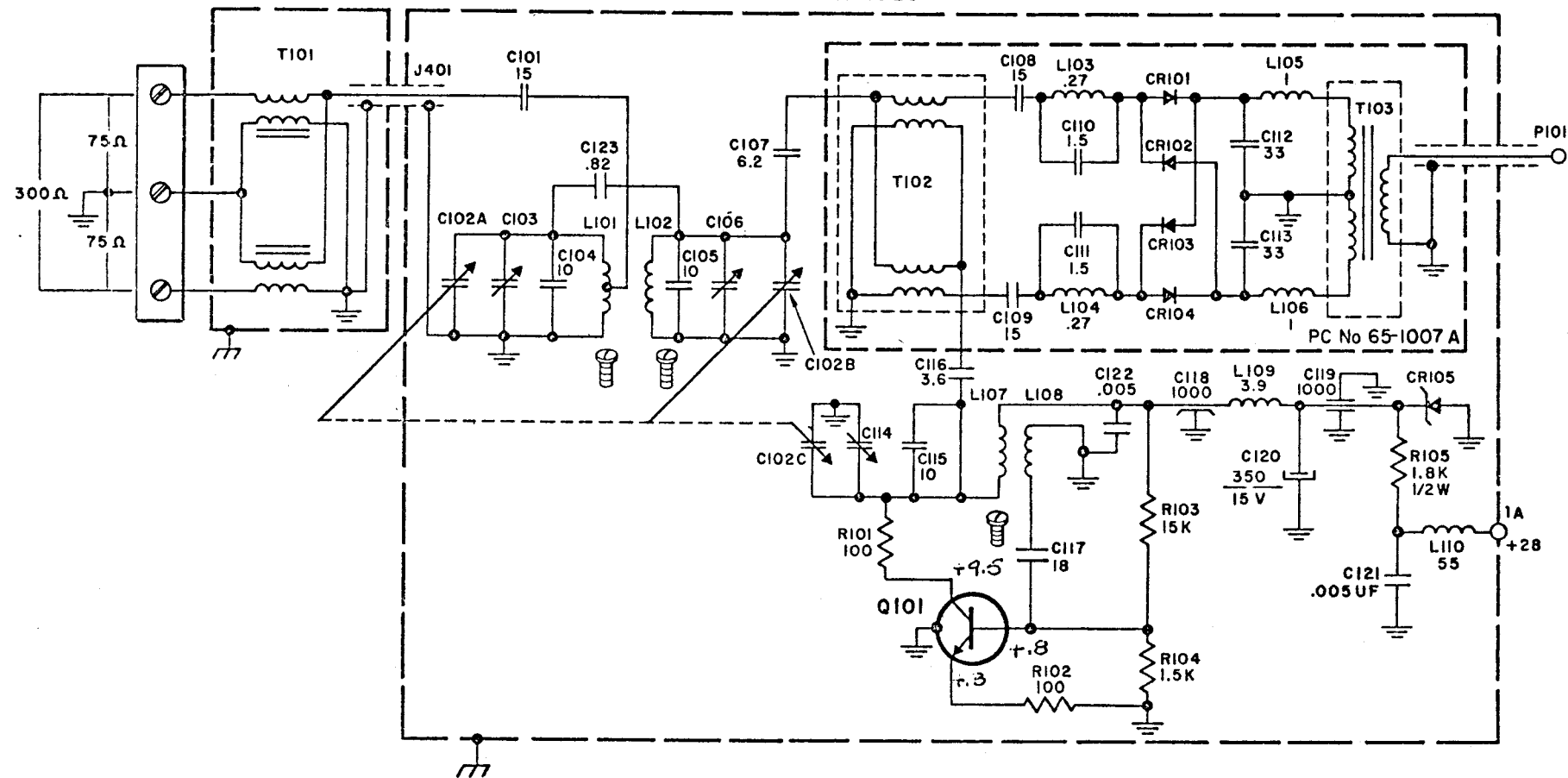
ALL OTHERS ARE PF

Ⓢ DENOTES PRECISION FILM RESISTOR

ISS	DATE
MARANTZ	
HI-LO FILTER	
DWN	
APP	
99-1055	

R910  
C908

## BALUN ASS'Y

FM FRONT END ASS'Y  
11-1020

UNLESS OTHERWISE NOTED:

ALL RESISTORS ARE IN OHMS 1/4W 5%

ALL CAPACITORS IN DECIMALS ARE UF  
ALL OTHERS ARE PF

ALL INDUCTORS ARE UH

SYMBOL	PART NO
C102A	
C102B	24-1000
C102C	
C103	21-1003
C106	21-1003
C114	21-1003
L101	55-1013
L102	55-1012
L107	55-1010
L108	55-1011

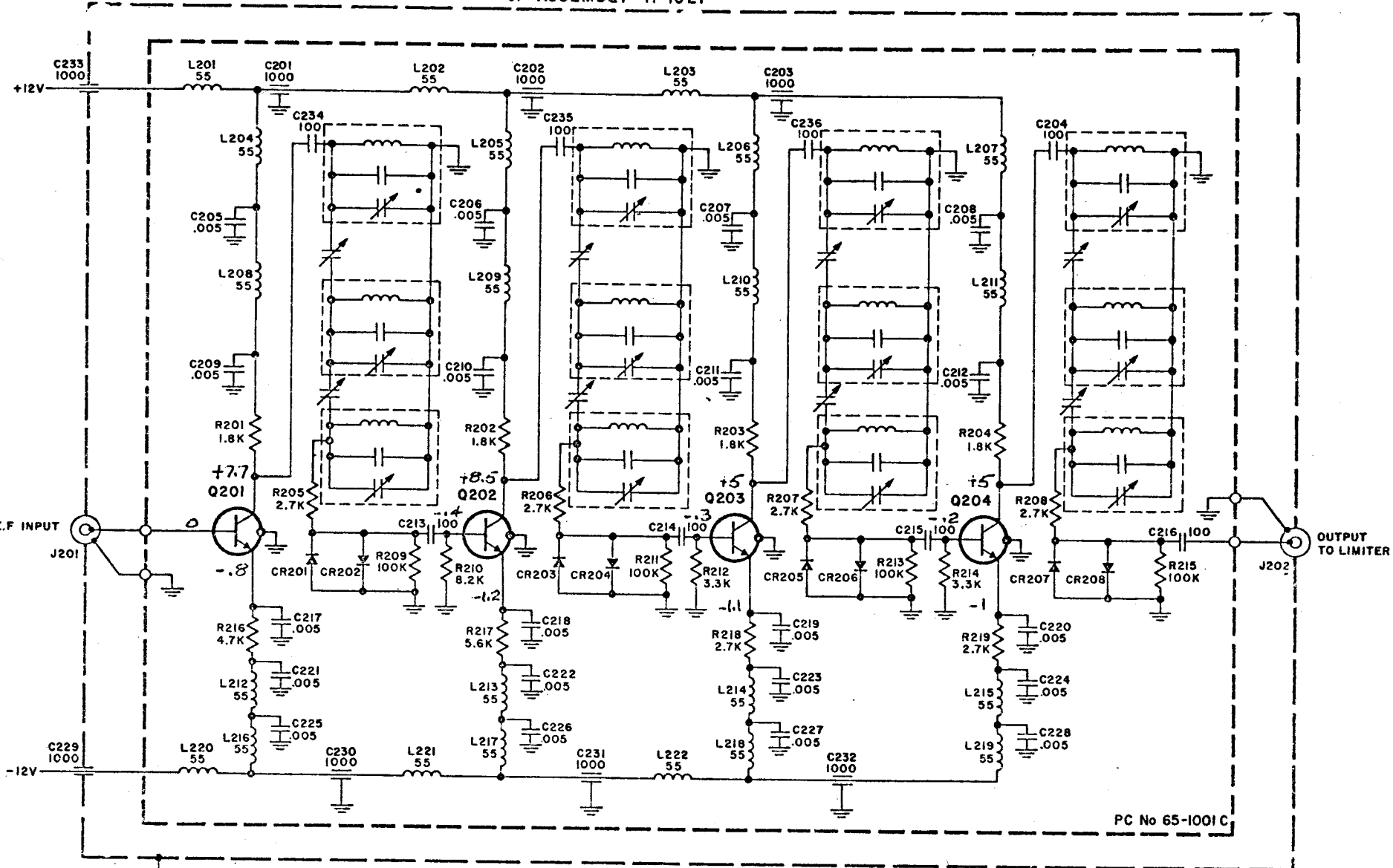
SYMBOL	PART NO
CR101	
CR102	35-1032
CR103	MATCHED
CR104	QUAD
CR105	35-1011
T101	55-1020
T102	55-1014
T103	55-1016
Q101	34-1016

C123  
L110  
R105  
CR105

ISS	REVISION	DATE
MARANTZ		
FM FRONT END		
DWN		
APP		
99-1047		

DC VOLTAGES MEASURED WITH NO  
INPUT SIGNAL "NOISE ONLY"

IF ASSEMBLY 11-1021



PC No 65-1001C

UNLESS OTHERWISE NOTED:  
 ALL RESISTORS ARE IN OHMS 1/4W 5%  
 ALL CAPACITORS IN DECIMALS ARE UF  
 ALL OTHERS ARE PF  
 ALL INDUCTORS ARE UH

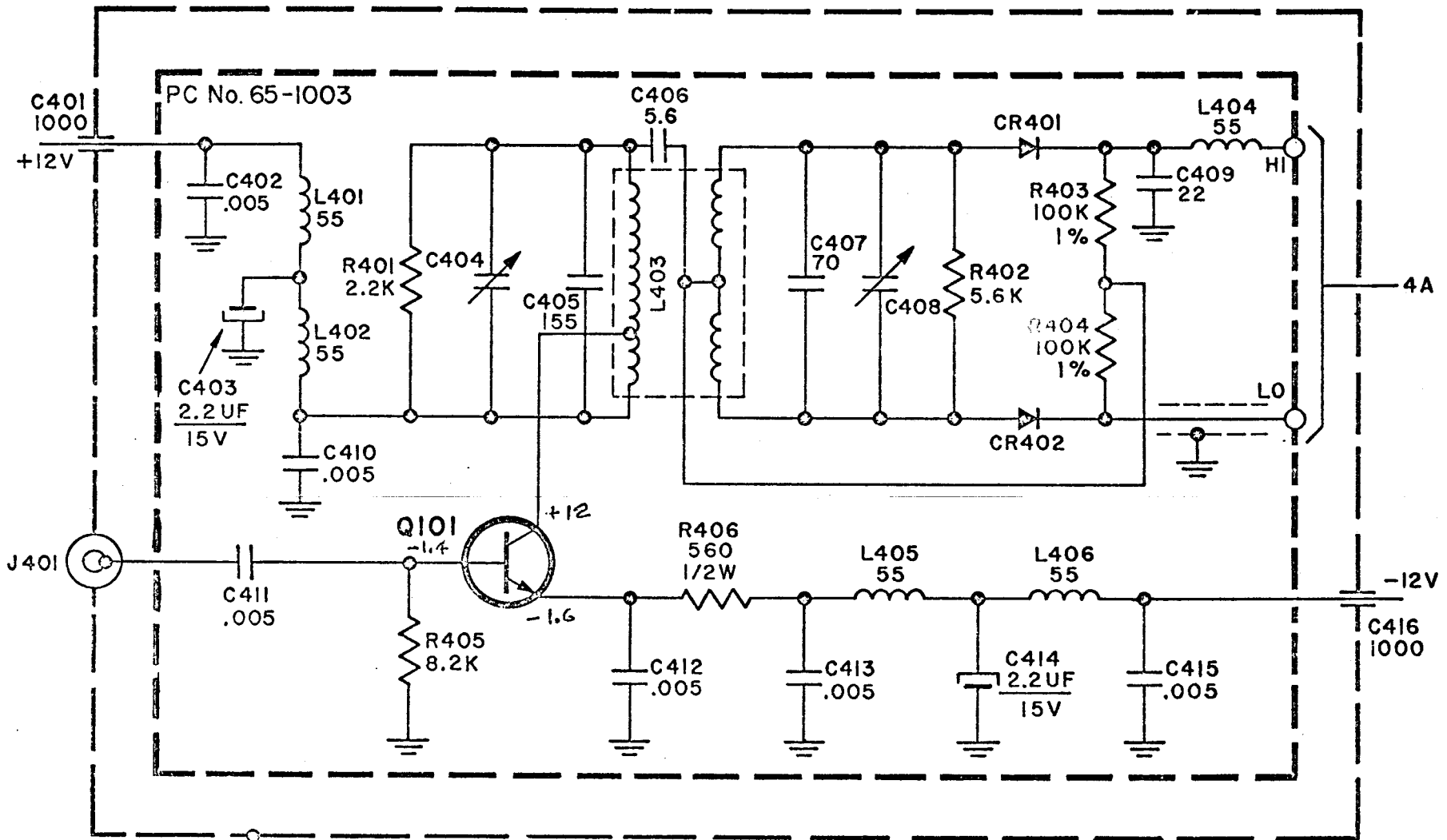
SYMBOL	PART NO
CR201-208	35-1019
Q201-204	34-1018

DC VOLTAGES MEASURED WITH NO SIGNAL INPUT (NOISE ONLY)

ISS	REVISION	DATE
	MARANTZ	
	IF ASSEMBLY	
DWN		
APP		
	99-1048	

L222  
 C236  
 R219  
 CR208

# DETECTOR ASS'Y II-1023



SYMBOL	PART NO.
Q101	34-1004
L403	55-1001
CR401	35-1017
CR402	35-1017
C404	21-1000
C408	21-1000

UNLESS OTHERWISE NOTED:  
 ALL RESISTORS ARE IN OHMS 1/4 W 5%  
 ALL CAPACITORS IN DECIMALS ARE UF  
 ALL OTHERS ARE PF  
 ALL INDUCTORS ARE UH

ISS	REVISION	DATE
	MARANTZ	
<b>DETECTOR</b>		
DWN		
APP		
<b>99-1050</b>		

DC VOLTAGES MEASURED  
 WITH NO SIGNAL INPUT  
 (NOISE ONLY)

R406 C416  
 CR402 L406