



N-Channel Depletion-Mode DMOS FET

Features

- ▶ Free from secondary breakdown
- ▶ Low power drive requirement
- ▶ Ease of paralleling
- ▶ Excellent thermal stability
- ▶ Integral source-drain diode
- ▶ High input impedance and low C_{ISS}
- ▶ ESD gate protection

General Description

The LND150 is a high voltage N-channel depletion mode (normally-on) transistor utilizing Supertex's lateral DMOS technology. The gate is ESD protected.

The LND150 is ideal for high voltage applications in the areas of normally-on switches, precision constant current sources, voltage ramp generation and amplification.

Applications

- ▶ Solid state relays
- ▶ Normally-on switches
- ▶ Converters
- ▶ Power supply circuits
- ▶ Constant current sources
- ▶ Input protection circuits

Ordering Information

| Device | Package Options | | | BV_{DSX}/BV_{DGX} (V) | $R_{DS(ON)}$ (max) (K Ω) | I_{DSS} (min) (mA) |
|--------|-------------------|------------|-------------------|----------------------------|--|----------------------------|
| | TO-236AB (SOT-23) | TO-92 | TO-243AA (SOT-89) | | | |
| LND150 | LND150K1-G | LND150N3-G | LND150N8-G | 500 | 1.0 | 1.0 |

-G indicates package is RoHS compliant ('Green')



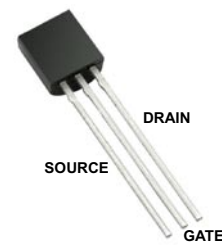
Absolute Maximum Ratings

| Parameter | Value |
|-----------------------------------|-----------------------------------|
| Drain-to-source | BV_{DSX} |
| Drain-to-gate | BV_{DGX} |
| Gate-to-source | $\pm 20V$ |
| Operating and storage temperature | $-55^{\circ}C$ to $+150^{\circ}C$ |
| Soldering temperature* | $300^{\circ}C$ |

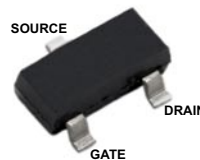
Absolute Maximum Ratings are those values beyond which damage to the device may occur. Functional operation under these conditions is not implied. Continuous operation of the device at the absolute rating level may affect device reliability. All voltages are referenced to device ground.

* Distance of 1.6mm from case for 10 seconds.

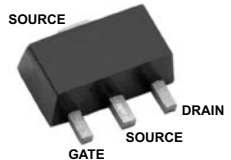
Pin Configurations



TO-92 (N3)



TO-236AB (SOT-23) (K1)



TO-243AA (SOT-89) (N8)

Product Marking

NDEW W = Code for Week Sealed
_____ = "Green" Packaging

TO-236AB (SOT-23) (K1)

D150YYWW YY = Year Sealed
WW = Week Sealed
_____ = "Green" Packaging

TO-92 (N3)

LN1EW W = Code for Week Sealed
_____ = "Green" Packaging

TO-243AA (SOT-89) (N8)

Packages may or may not include the following marks: Si or

Thermal Characteristics

| Package | I _D (continuous) [†] (mA) | I _D (pulsed) (mA) | Power Dissipation @T _A = 25°C (W) | θ _{jc} (°C/W) | θ _{ja} (°C/W) | I _{DR} (mA) | I _{DRM} [†] (mA) |
|-------------------|---|------------------------------------|--|---------------------------|---------------------------|-------------------------|---------------------------------------|
| TO-236AB (SOT-23) | 13 | 30 | 0.36 | 200 | 350 | 13 | 30 |
| TO-92 | 30 | 30 | 0.74 | 125 | 170 | 30 | 30 |
| TO-243AA (SOT-89) | 30 | 30 | 1.6 [‡] | 15 | 78 | 30 | 30 |

Notes:

- [†] I_D (continuous) is limited by max rated T_J.
- [‡] Mounted on FR4 board, 25mm x 25mm x 1.57mm

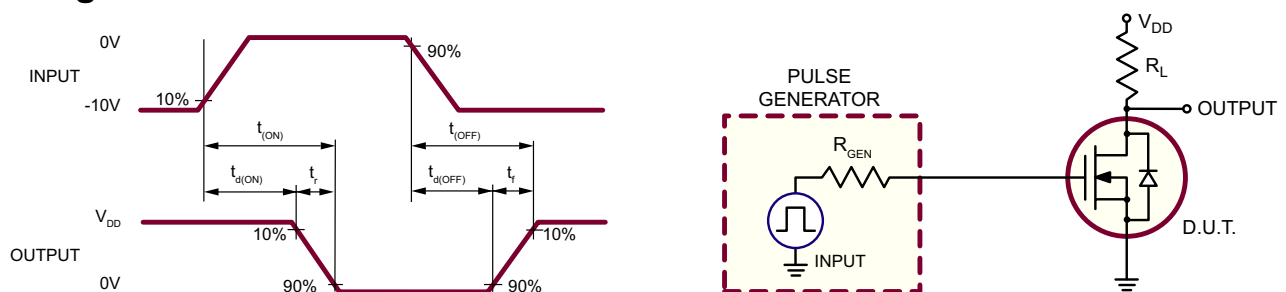
Electrical Characteristics (T_A = 25°C unless otherwise specified)

| Sym | Parameter | Min | Typ | Max | Units | Conditions |
|-----------------------|---|------|------|------|-------|---|
| BV _{DSX} | Drain-to-source breakdown voltage | 500 | - | - | V | V _{GS} = -10V, I _D = 1.0mA |
| V _{GS(OFF)} | Gate-to-source off voltage | -1.0 | - | -3.0 | V | V _{GS} = 25V, I _D = 100nA |
| ΔV _{GS(OFF)} | Change in V _{GS(OFF)} with temperature | - | - | 5.0 | mV/°C | V _{GS} = 25V, I _D = 100nA |
| I _{GSS} | Gate body leakage current | - | - | 100 | nA | V _{GS} = ± 20V, V _{DS} = 0V |
| I _{D(OFF)} | Drain-to-source leakage current | - | - | 100 | nA | V _{GS} = -10V, V _{DS} = 450V |
| | | - | - | 100 | μA | V _{DS} = 0.8V Max Rating, V _{GS} = -10V, T _A = 125°C |
| I _{DSS} | Saturated drain-to-source current | 1.0 | - | 3.0 | mA | V _{GS} = 0V, V _{DS} = 25V |
| R _{DS(ON)} | Static drain-to-source on-state resistance | - | 850 | 1000 | Ω | V _{GS} = 0V, I _D = 0.5mA |
| ΔR _{DS(ON)} | Change in R _{DS(ON)} with temperature | - | - | 1.2 | %/°C | V _{GS} = 0V, I _D = 0.5mA |
| G _{FS} | Forward transconductance | 1.0 | 2.0 | - | mΩ | V _{DS} = 0V, I _D = 1.0mA |
| C _{ISS} | Input capacitance | - | 7.5 | 10 | pF | V _{GS} = -10V, V _{DS} = 25V, f = 1.0MHz |
| C _{OSS} | Common source output capacitance | - | 2.0 | 3.5 | | |
| C _{RSS} | Reverse transfer capacitance | - | 0.5 | 1.0 | | |
| t _{d(ON)} | Turn-on delay time | - | 0.09 | - | μs | V _{DD} = 25V, I _D = 1.0mA, R _{GEN} = 25Ω |
| t _r | Rise time | - | 0.45 | - | | |
| t _{d(OFF)} | Turn-off delay time | - | 0.1 | - | | |
| t _f | Fall time | - | 1.3 | - | | |
| V _{SD} | Diode forward voltage drop | - | - | 0.9 | V | V _{GS} = -10V, I _{SD} = 1.0mA |
| t _{rr} | Reverse recovery time | - | 200 | - | ns | V _{GS} = -10V, I _{SD} = 1.0mA |

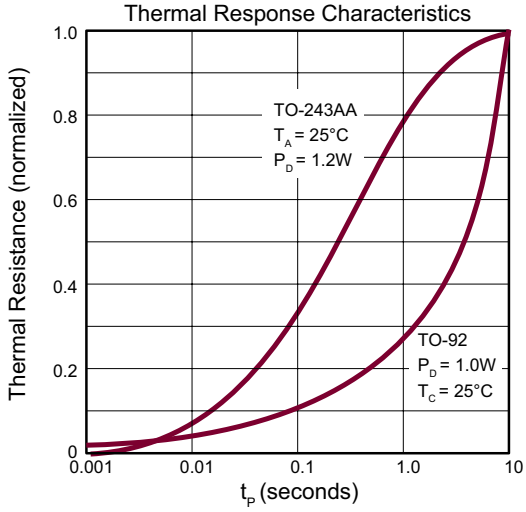
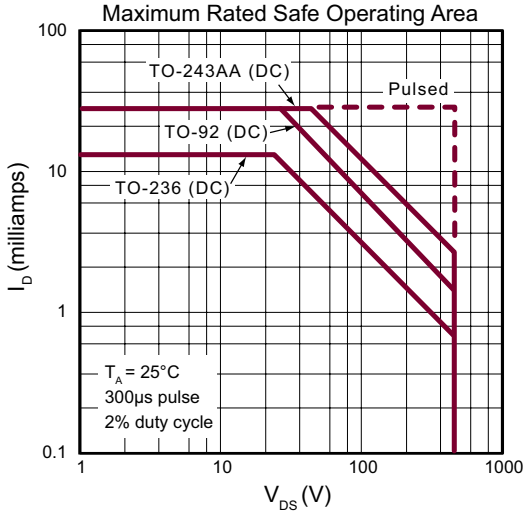
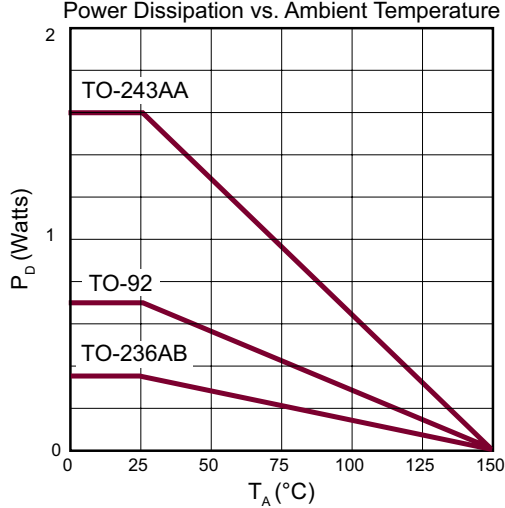
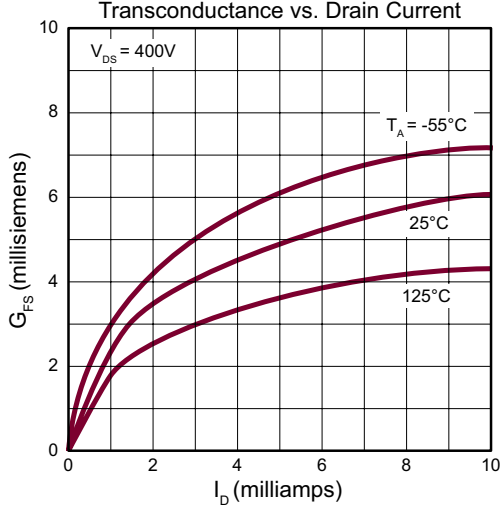
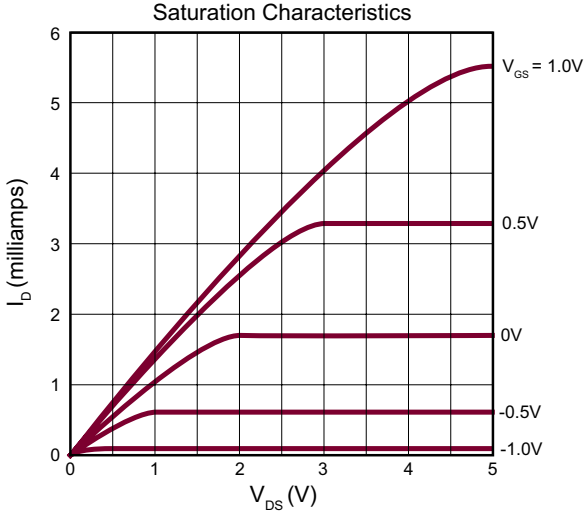
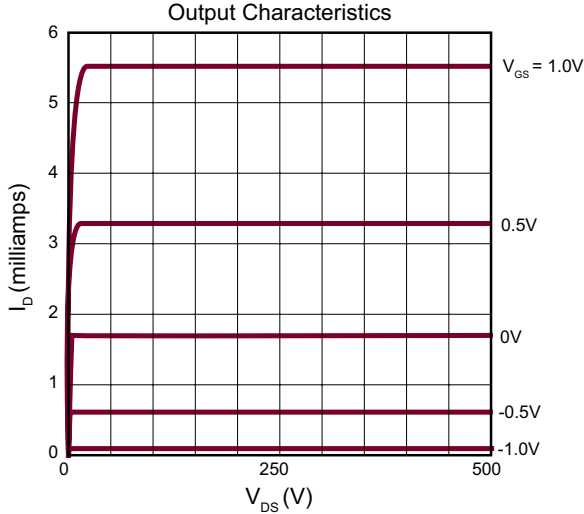
Notes:

1. All D.C. parameters 100% tested at 25°C unless otherwise stated. (Pulse test: 300μs pulse, 2% duty cycle.)
2. All A.C. parameters sample tested.

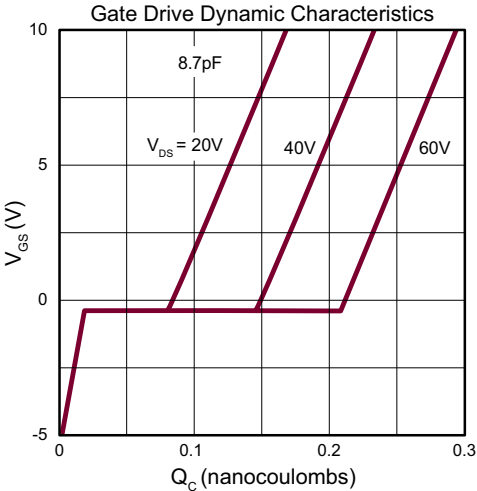
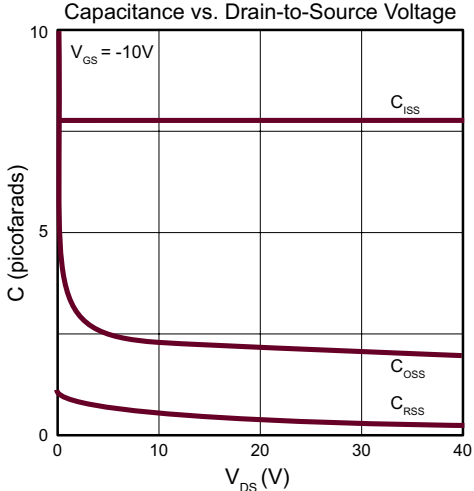
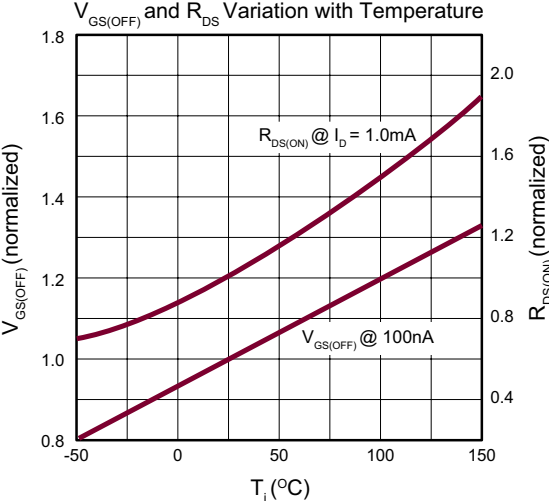
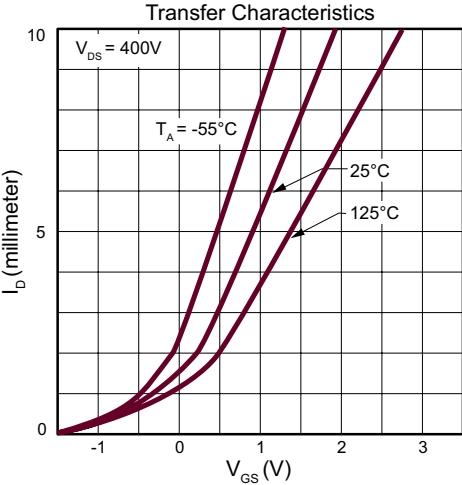
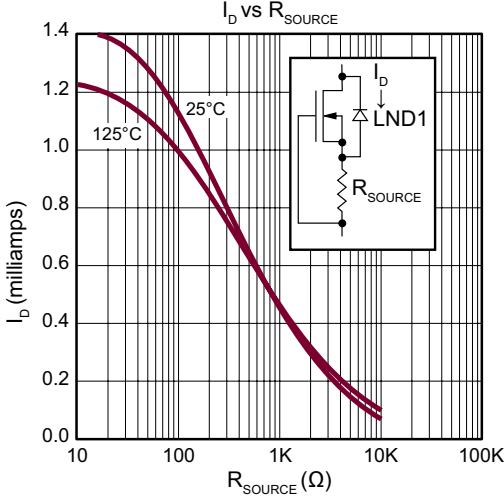
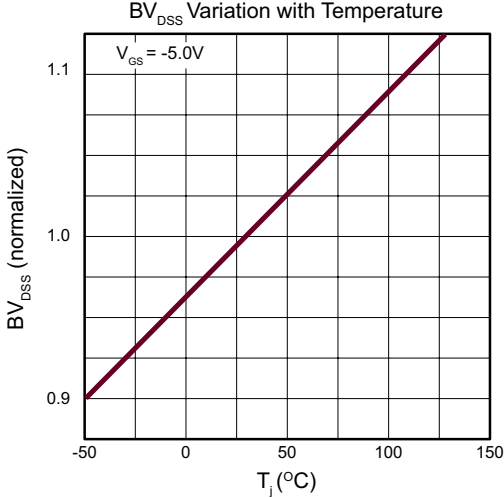
Switching Waveforms and Test Circuit



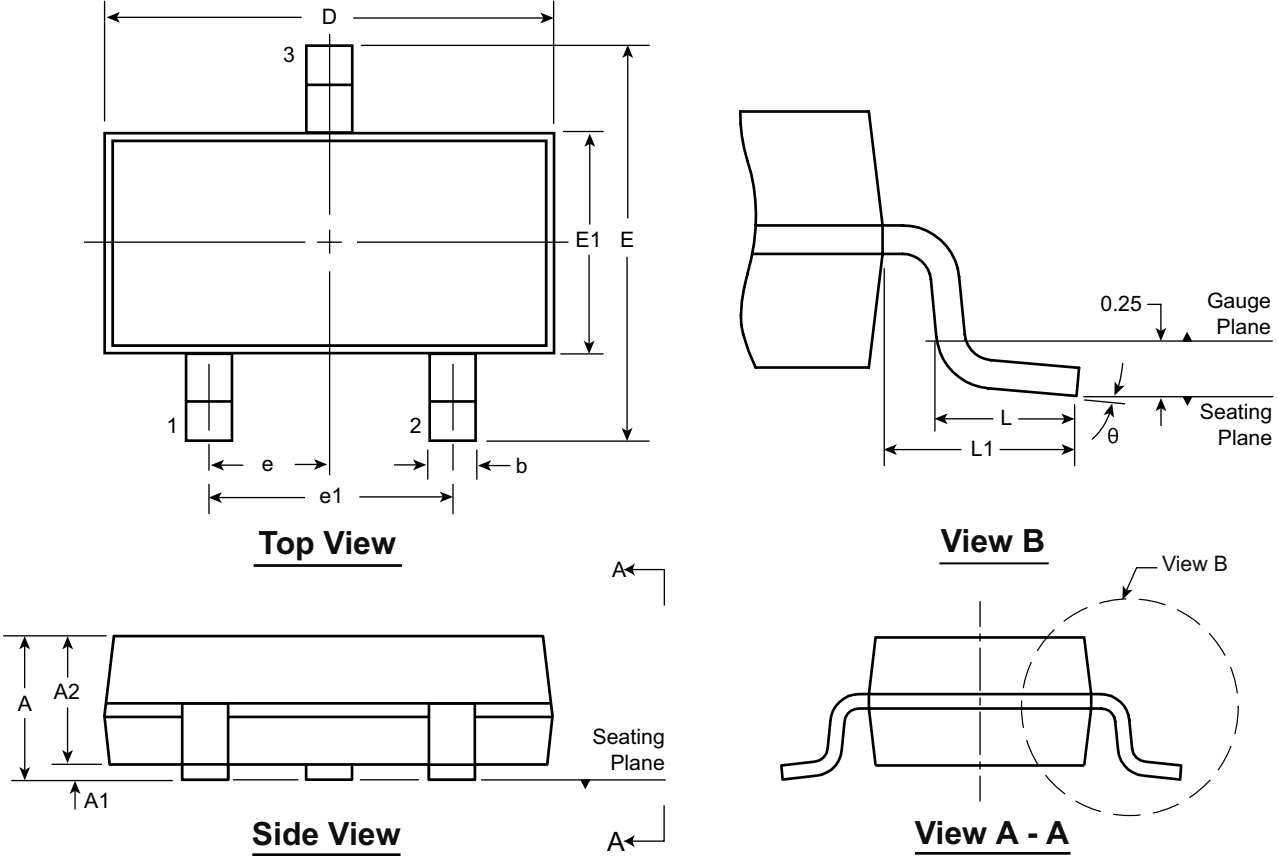
Typical Performance Curves



Typical Performance Curves (cont.)



3-Lead TO-236AB (SOT-23) Package Outline (K1) 2.90x1.30mm body, 1.12mm height (max), 1.90mm pitch



| Symbol | | A | A1 | A2 | b | D | E | E1 | e | e1 | L | L1 | θ |
|----------------|-----|------|------|------|------|------|------|------|----------|----------|-------------------|----------|----------|
| Dimension (mm) | MIN | 0.89 | 0.01 | 0.88 | 0.30 | 2.80 | 2.10 | 1.20 | 0.95 BSC | 1.90 BSC | 0.20 [†] | 0.54 REF | 0° |
| | NOM | - | - | 0.95 | - | 2.90 | - | 1.30 | | | 0.50 | | - |
| | MAX | 1.12 | 0.10 | 1.02 | 0.50 | 3.04 | 2.64 | 1.40 | | | 0.60 | | 8° |

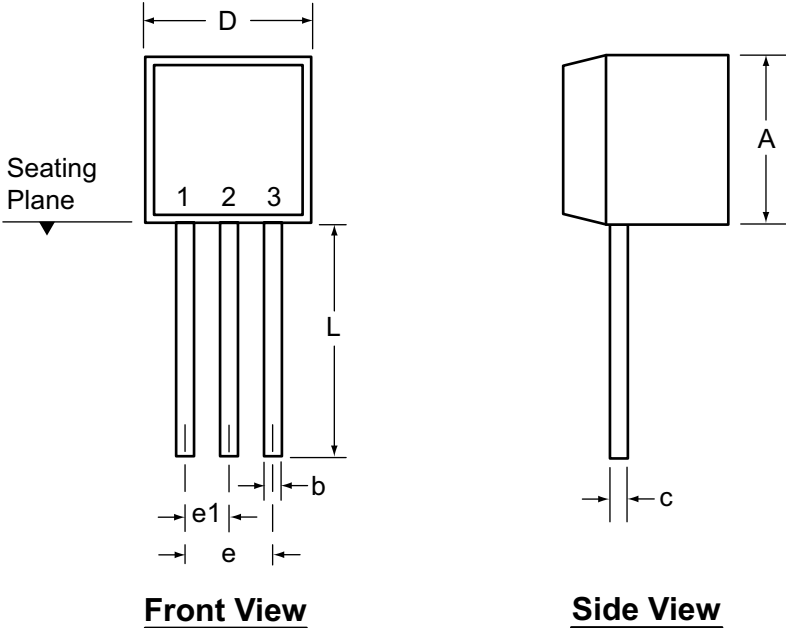
JEDEC Registration TO-236, Variation AB, Issue H, Jan. 1999.

[†] This dimension differs from the JEDEC drawing.

Drawings not to scale.

Supertex Doc.#: DSPD-3TO236ABK1, Version C041309.

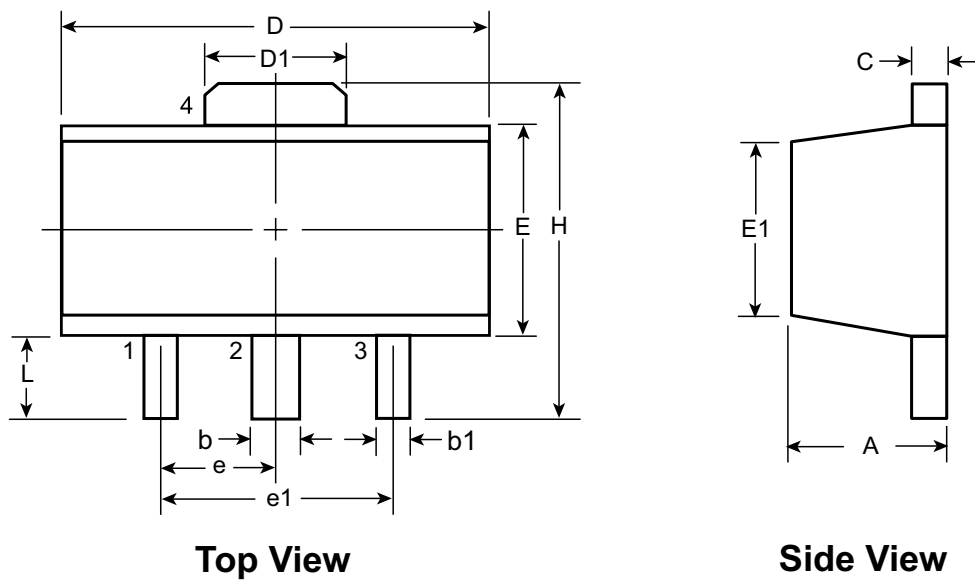
3-Lead TO-92 Package Outline (N3)



| Symbol | A | b | c | D | E | E1 | e | e1 | L | |
|---------------------|-----|------|-------------------|-------------------|------|------|------|------|------|-------|
| Dimensions (inches) | MIN | .170 | .014 [†] | .014 [†] | .175 | .125 | .080 | .095 | .045 | .500 |
| | NOM | - | - | - | - | - | - | - | - | - |
| | MAX | .210 | .022 [†] | .022 [†] | .205 | .165 | .105 | .105 | .055 | .610* |

JEDEC Registration TO-92.
 * This dimension is not specified in the JEDEC drawing.
 † This dimension differs from the JEDEC drawing.
Drawings not to scale.
 Supertex Doc.#: DSPD-3TO92N3, Version E041009.

3-Lead TO-243AA (SOT-89) Package Outline (N8)



| Symbol | A | b | b1 | C | D | D1 | E | E1 | e | e1 | H | L | | |
|--------------------|-----|------|------|------|------|------|------|------|-------------------|-------------|-------------|------|------|---|
| Dimensions (mm) | MIN | 1.40 | 0.44 | 0.36 | 0.35 | 4.40 | 1.62 | 2.29 | 2.00 [†] | 1.50 BSC | 3.00 BSC | 3.94 | 0.89 | |
| | NOM | - | - | - | - | - | - | - | - | | | - | - | - |
| | MAX | 1.60 | 0.56 | 0.48 | 0.44 | 4.60 | 1.83 | 2.60 | 2.29 | | | 4.25 | 1.20 | |

JEDEC Registration TO-243, Variation AA, Issue C, July 1986.

[†] This dimension differs from the JEDEC drawing

Drawings not to scale.

Supertex Doc. #: DSPD-3TO243AAN8, Version E051509.

(The package drawing(s) in this data sheet may not reflect the most current specifications. For the latest package outline information go to <http://www.supertex.com/packaging.html>.)

Supertex inc. does not recommend the use of its products in life support applications, and will not knowingly sell them for use in such applications unless it receives an adequate "product liability indemnification insurance agreement." **Supertex inc.** does not assume responsibility for use of devices described, and limits its liability to the replacement of the devices determined defective due to workmanship. No responsibility is assumed for possible omissions and inaccuracies. Circuitry and specifications are subject to change without notice. For the latest product specifications refer to the **Supertex inc.** (website: <http://www.supertex.com>)

Mouser Electronics

Authorized Distributor

Click to View Pricing, Inventory, Delivery & Lifecycle Information:

Microchip:

[LND150N3-P014-G](#) [LND150N3-P002-G](#) [LND150N3-P003-G](#) [LND150N3-P002](#) [LND150N3-P003](#) [LND150N3-P013](#)
[LND150N3-P014](#) [LND150N8-G](#) [LND150N3-G](#) [LND150N3-P013-G](#) [LND150N3](#) [LND150N8](#) [LND150N3-G P005](#)
[LND150N3-G P003](#) [LND150N3-G P013](#) [LND150N3-G P002](#) [LND150N3-G P014](#) [LND150N3-G-P013](#) [LND150N3-G-](#)
[P002](#) [LND150N3-G-P003](#) [LND150N3-G-P014](#)