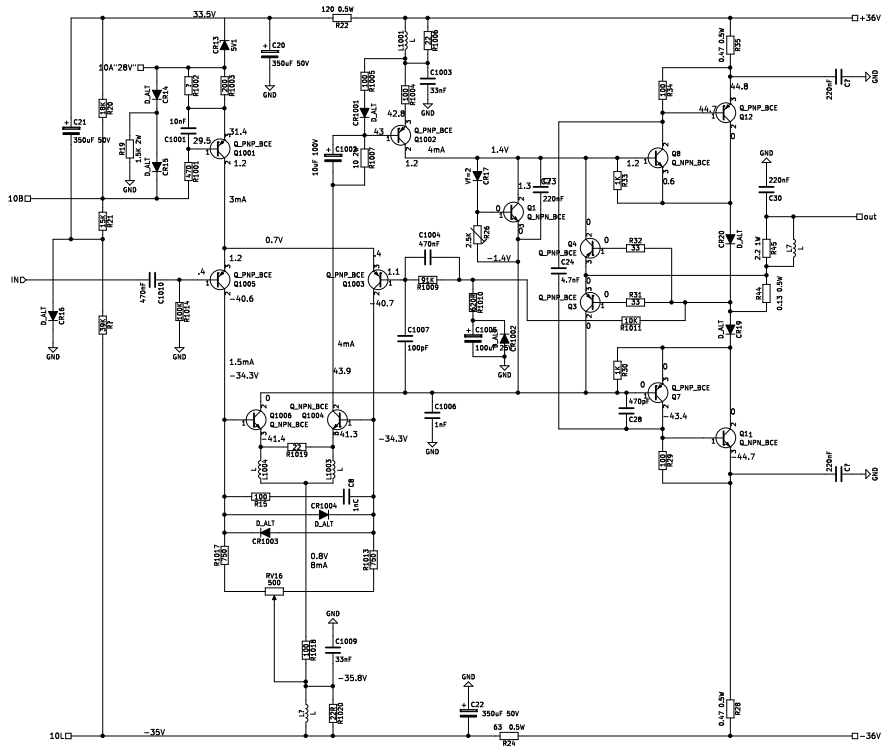
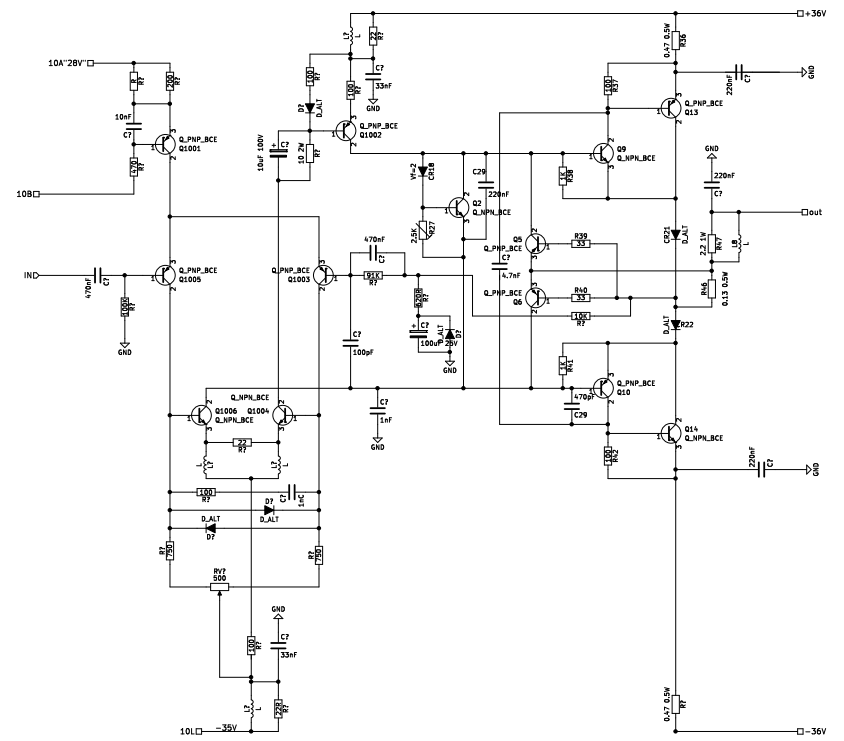


LEFT CHANNEL



RIGHT CHANNEL



NOTE: ACTUAL MEASURED VOLTAGES ARE WITHOUT A "V"