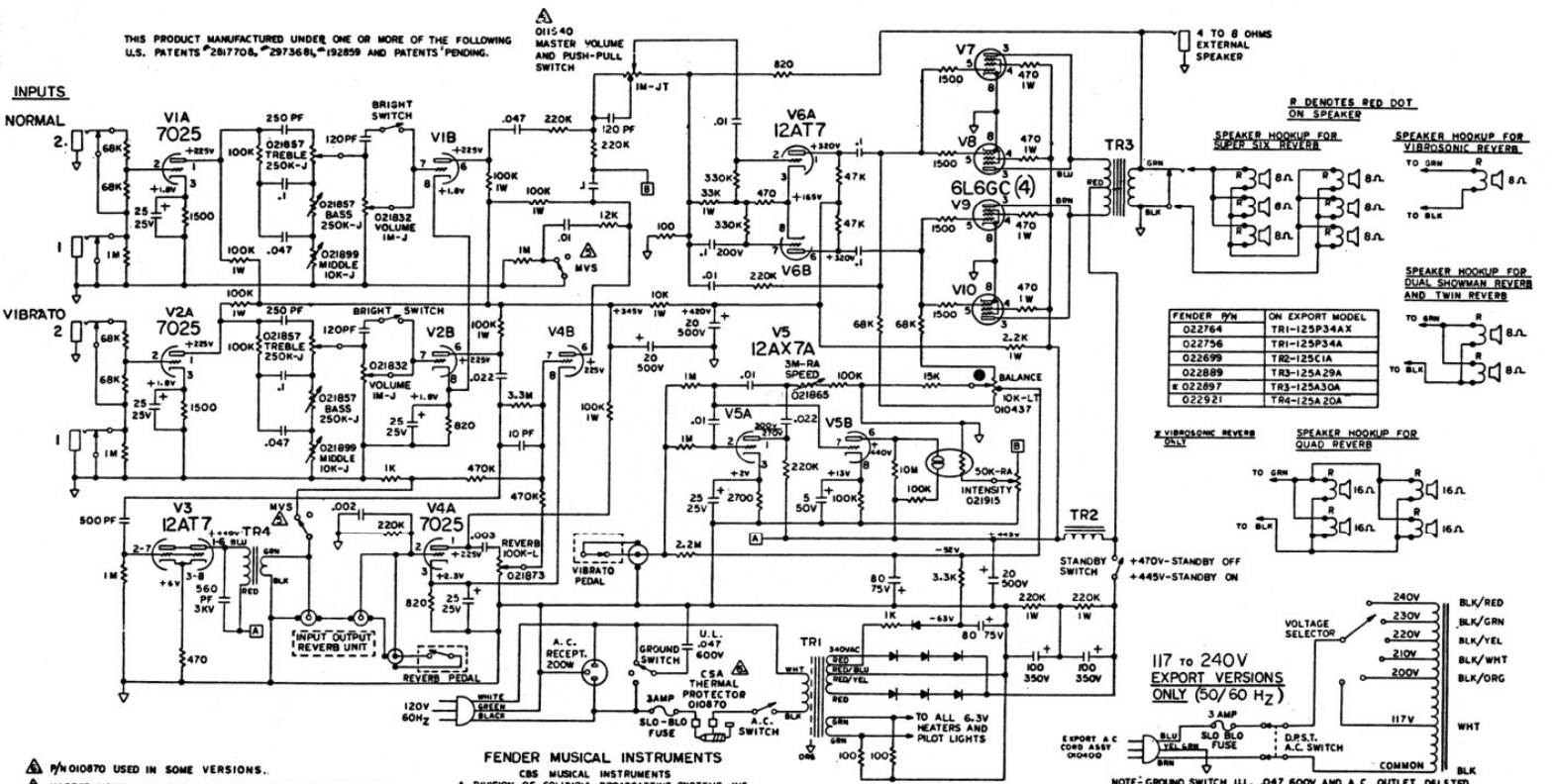


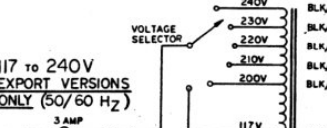
THIS PRODUCT MANUFACTURED UNDER ONE OR MORE OF THE FOLLOWING U.S. PATENTS 2817708, 2973681, 192859 AND PATENTS PENDING.



- 1. VOLTAGES READ TO GROUND WITH V.T.V.M. WITH VIBRATO GROUND (EXCEPT V5) - NO INPUT SIGNAL.
- 2. ALL RESISTORS 1/2 WATT ± 10%.
- 3. ALL CAPACITORS AT LEAST 600V, W.V.D.C.
- 4. FENDER #N FOR CONTROLS INDICATED.
- 5. MASTER VOLUME PUSH-PULL SWITCH DESIGNATED MVS SHOWN IN 'OUT' POSITION, PUSH IN FOR PURE SOUND. USED IN SOME VERSIONS.
- 6. FENDER #N FOR CONTROLS INDICATED.

FENDER MUSICAL INSTRUMENTS
 CBS MUSICAL INSTRUMENTS
 A DIVISION OF COLUMBIA BROADCASTING SYSTEMS INC.
 FULLERTON, CALIFORNIA
 U.S.A.

FENDER #N	ON EXPORT MODEL
022764	TR1-125P34AX
022756	TR1-125P34A
022699	TR2-125C1A
022889	TR3-125A29A
022897	TR3-125A30A
022921	TR4-125A20A



MODEL NO.	USED ON	UNLESS OTHERWISE SPECIFIED	DWN	ROSALES	DATE
VIBROSONIC REV. EXP.					
VIBROSONIC REVERB 1					
SUPER SIX REVERB EAR					
QUAD REVERB EXPORT					
TWIN REVERB EXPORT					
SUPRE SIX REVERB					
QUAD REVERB					
TWIN SHOWMAN REVERB					
QUAD REVERB					
TWIN REVERB					

CBS MUSICAL INSTRUMENTS
 FULLERTON, CALIFORNIA

— SCHEMATIC —

**100 WATTS RMS AMP
 W/ REVERB AND VIBRATO**

REL. NO. **D** 010182

SCALE: SEVERAL SHEET 1 OF 1