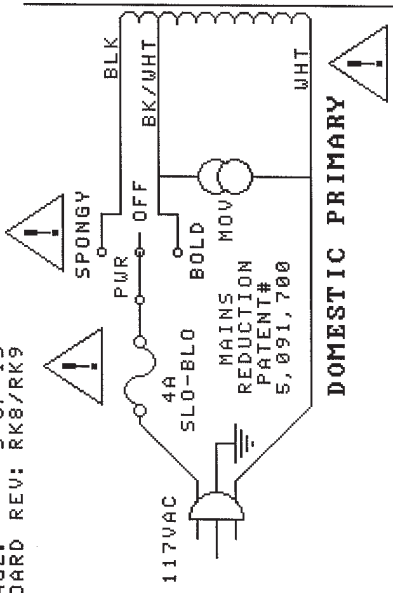


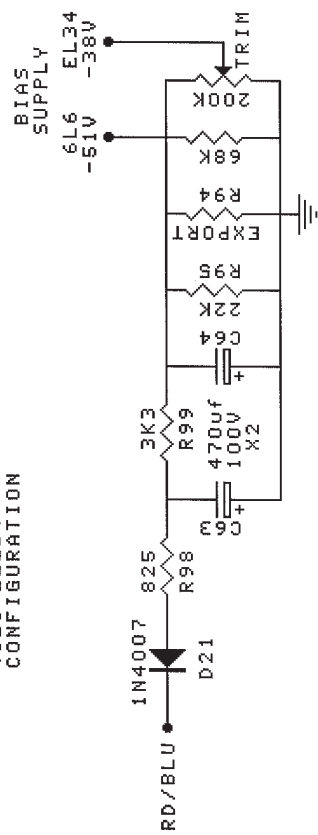
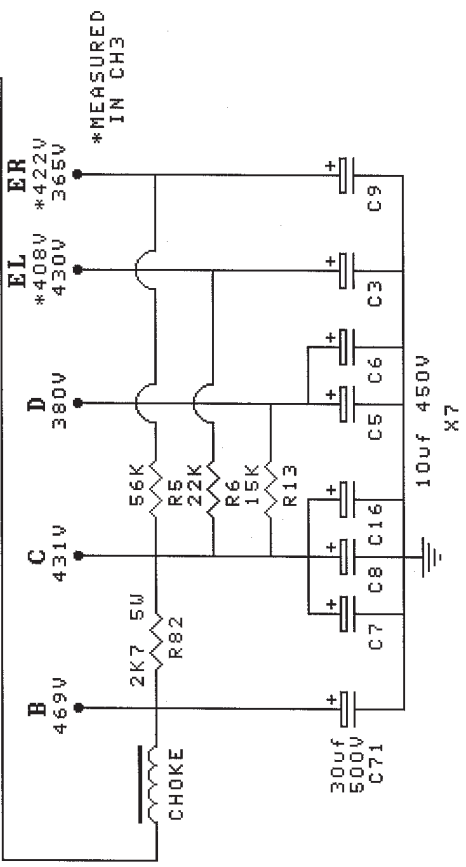
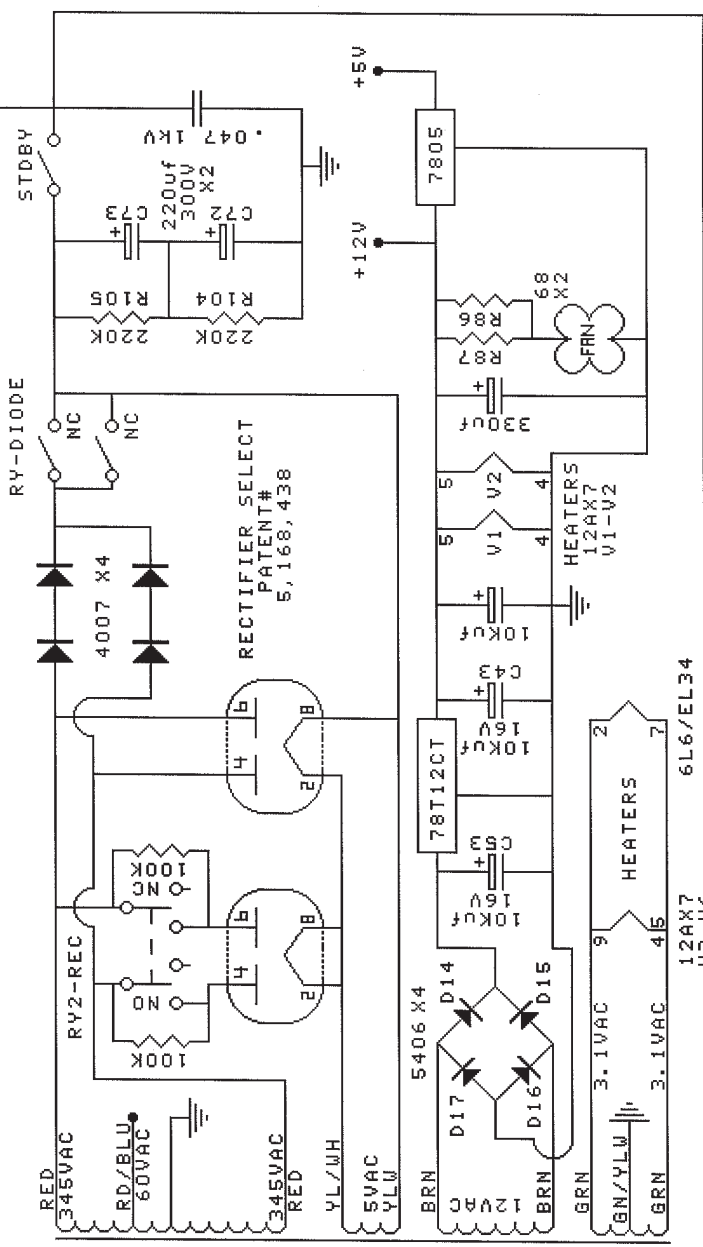
MESA/BOOGIE ROAD KING SERIES II POWER SUPPLY

FILE: RKIISUP.S01
DATE: 9/5/2006
DRAWN BY: JOHN M
PAGE: 3 OF 13
BOARD REV: RK8/RK9



COVERED UNDER ONE
OR MORE OF THE
FOLLOWING PATENTS:
4,211,893; 4,532,476;
4,593,251; 4,701,957;
4,713,624; 5,091,700;
5,168,438; 5,208,548;
5,559,469; 6,522,752;
6,621,907; 6,724,897
AND OTHERS PENDING

VOLTAGES MEASURED
IN CH1, BOLD, DIODE,
46L6+2EL34
CONFIGURATION



X7