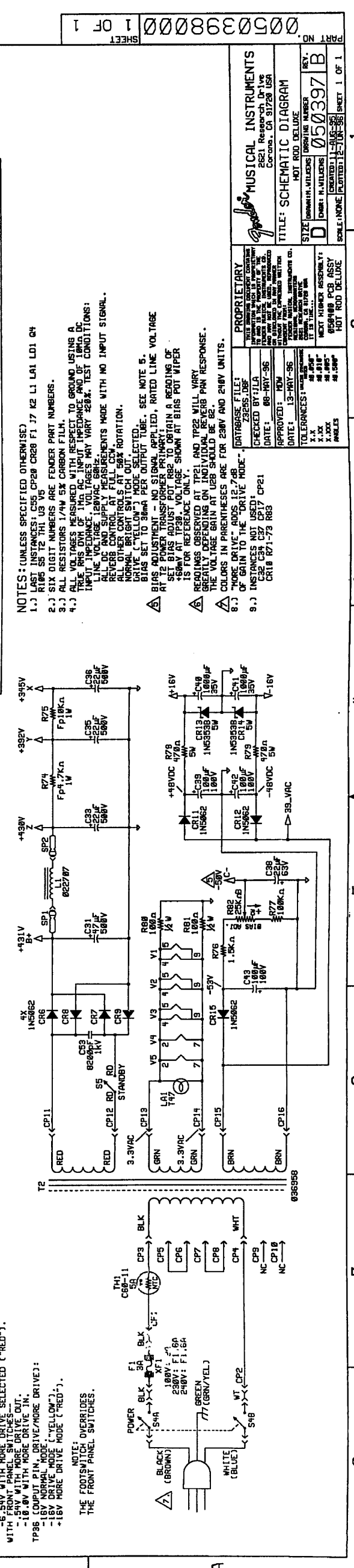
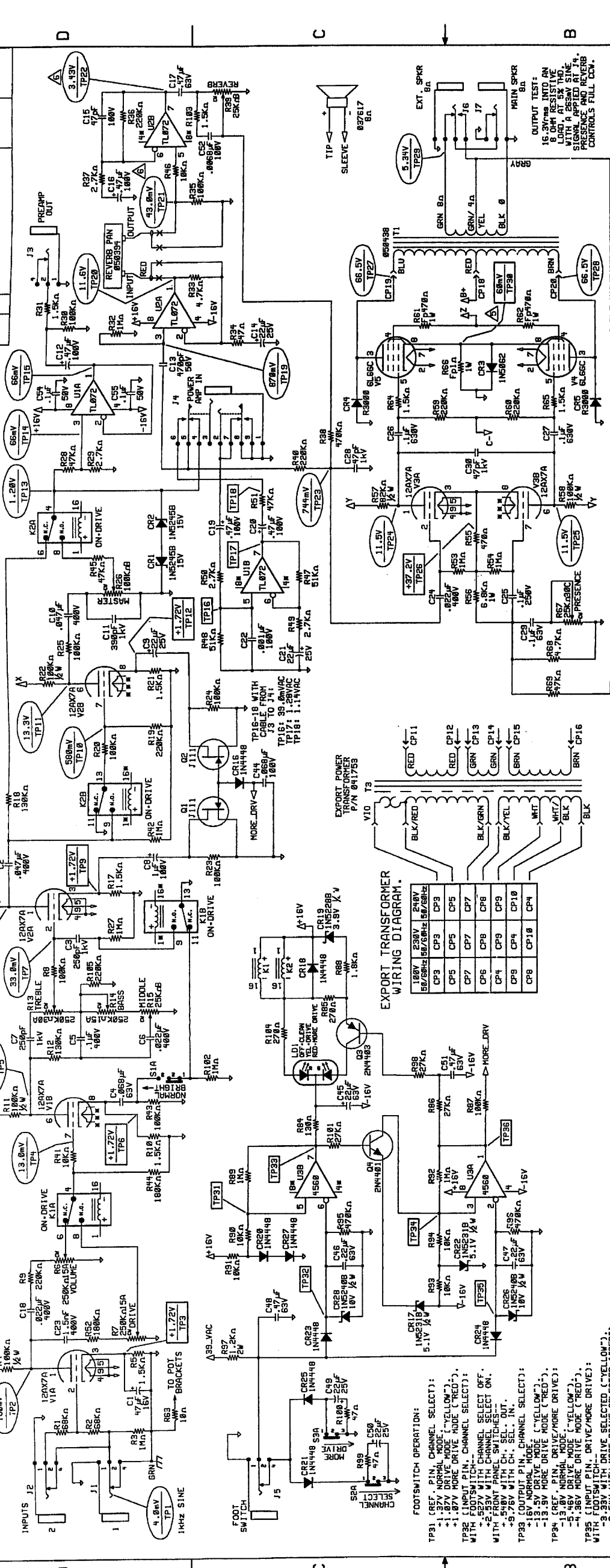


ZONE	REV.	DESCRIPTION	DATE	APPROVED
	A	RELEASED PR325	13-MAY-96	MDW
	B	EC 1701	24-MAY-96	MDW



**MUSICAL INSTRUMENTS**  
 2621 Research Dr. Ives  
 Corona, CA 91720 USA

**PROPRIETARY**  
 THIS INSTRUMENT IS THE PROPERTY OF MUSICAL INSTRUMENTS. IT IS NOT TO BE REPRODUCED, COPIED, OR TRANSMITTED IN ANY FORM OR BY ANY MEANS, ELECTRONIC OR MECHANICAL, INCLUDING PHOTOCOPYING, RECORDING, OR BY ANY INFORMATION STORAGE AND RETRIEVAL SYSTEM.

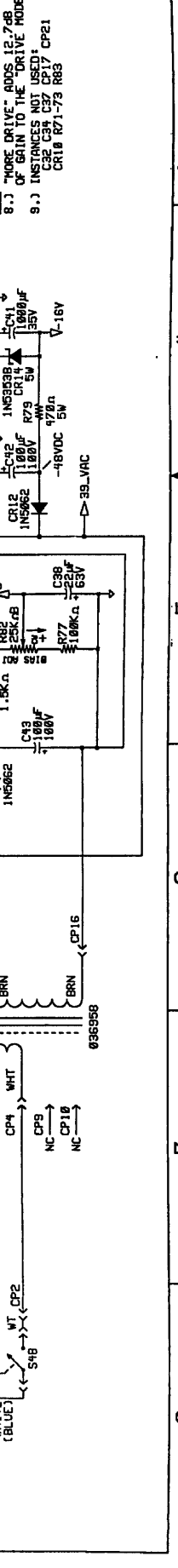
DATE: 08-MAY-96  
 APPROVED: MDW  
 DATE: 13-MAY-96

TOLERANCES: UNLESS OTHERWISE SPECIFIED:  
 R: ±0.1%  
 C: ±1%  
 X: ±0.1%  
 Y: ±0.5%  
 Z: ±0.5%  
 ANGLES: AS SHOWN

SIZE: DRAWING: UTILIZATION: DRAWING NUMBER: REV. NO.  
 D: 050397 B

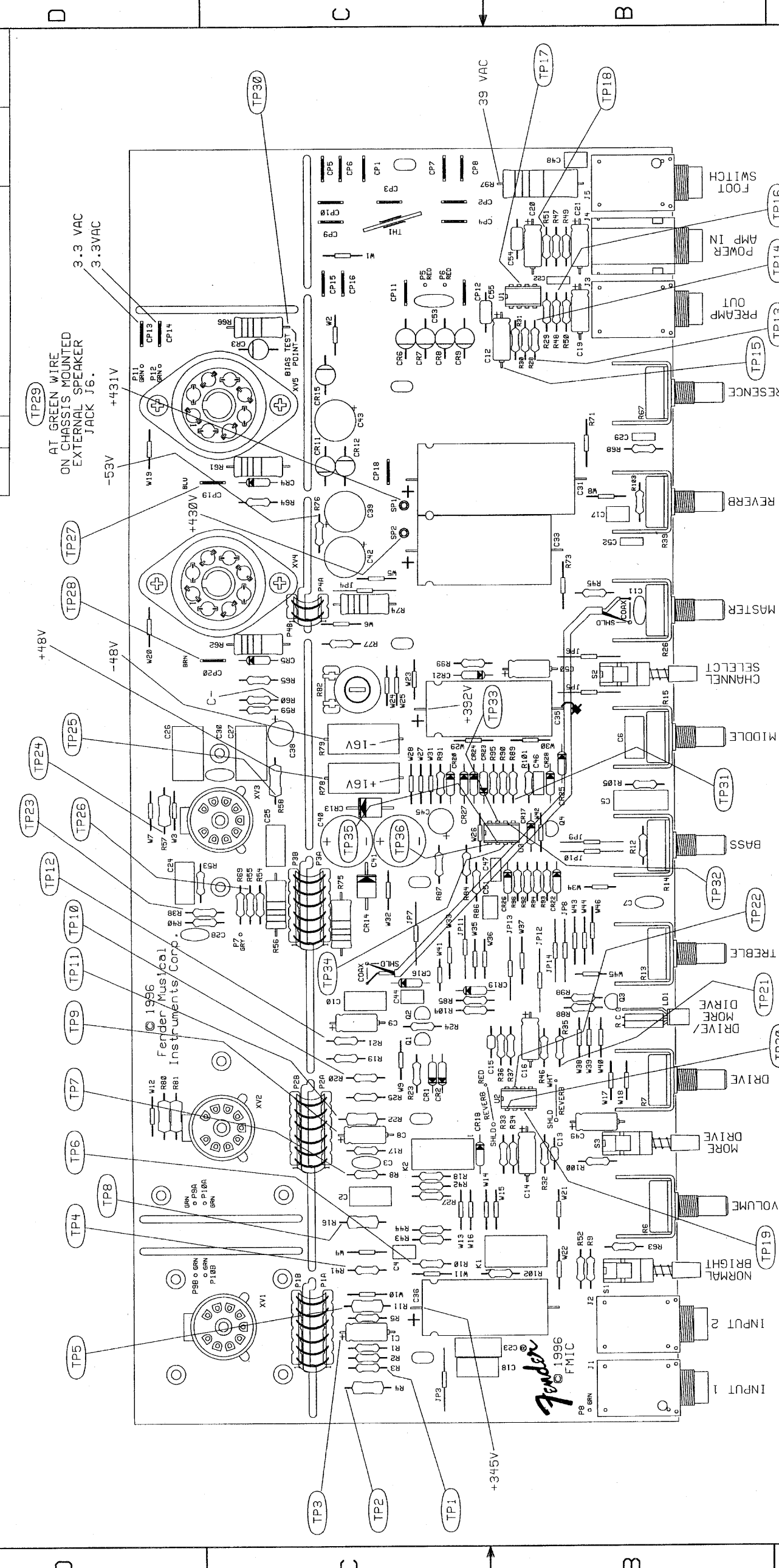
SCALE: NONE (UNLESS OTHERWISE SPECIFIED) SHEET 1 OF 1

TITLE: SCHEMATIC DIAGRAM



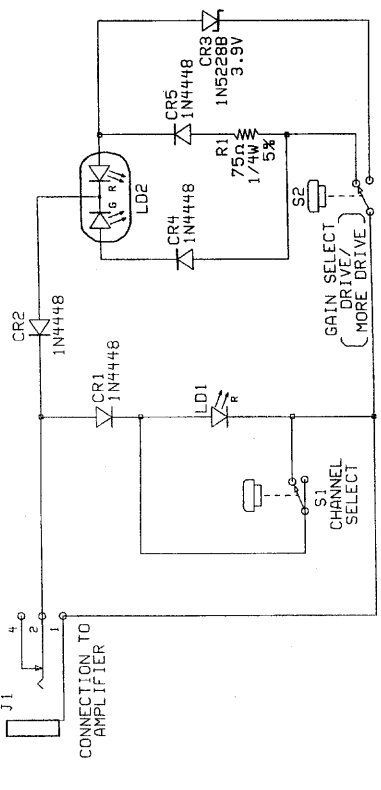
8 7 6 5 4 3 2 1

REVISIONS		DATE	APPROVED
ZONE	REV. DESCRIPTION	13-MAY-96	MDW
	A RELEASED PR325		



FILM/DWG: SERVICE DIAGRAM  
 DATABASE: Z325PA.DBF DATE: 12-JUN-96  
 LAYERS PLOTTED: 1 2 3 4 10  
 18

SCHEMATIC FOR FOOTSWITCH ASSEMBLY 050419.



NOTES:  
 1.) WIRES NOT SHOWN FOR CLARITY.

**Fender** MUSICAL INSTRUMENTS  
 2621 Research Drive  
 Corona, CA 91720 USA

TITLE: SERVICE DIAGRAM  
 HOT ROD DELUXE.

SIZE: C DRAWN: M. WILKENS DRAWING NUMBER: 050399 REV. A  
 ENGR: M. WILKENS  
 SCALE: NONE PLOTTED: 12-JUN-96 SHEET 1 OF 1

PROPRIETARY  
 THIS DRAWING DOCUMENT CONTAINS INFORMATION WHICH IS PROPRIETARY TO AND IS THE PROPERTY OF FENDER. IT IS TO BE USED, REPRODUCED OR DISCLOSED IN ANY MANNER WITHOUT THE EXPRESSED WRITTEN CONSENT FROM:  
 FENDER MUSICAL INSTRUMENTS CO.  
 2621 RESEARCH DRIVE  
 CORONA, CA 91720 USA  
 IT IS TIME...

DATABASE FILE: Z325PA.DBF  
 CHECKED BY: JLA  
 DATE: 08-MAY-96  
 APPROVED: MDW  
 DATE: 13-MAY-96  
 TOLERANCES: UNLESS OTHERWISE NOTED  
 X.X ±0.050"  
 X.XX ±0.010"  
 X.XXX ±0.005"  
 ANGLES ±0.500°

D

C

B

A

D C B A