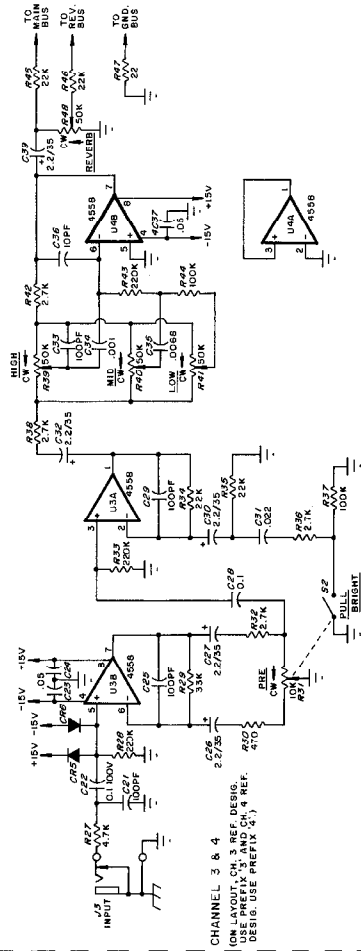
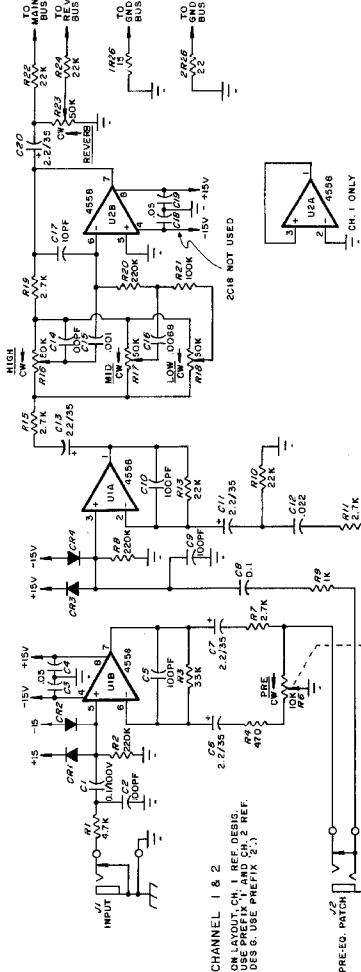


RHYTHM MASTER 400

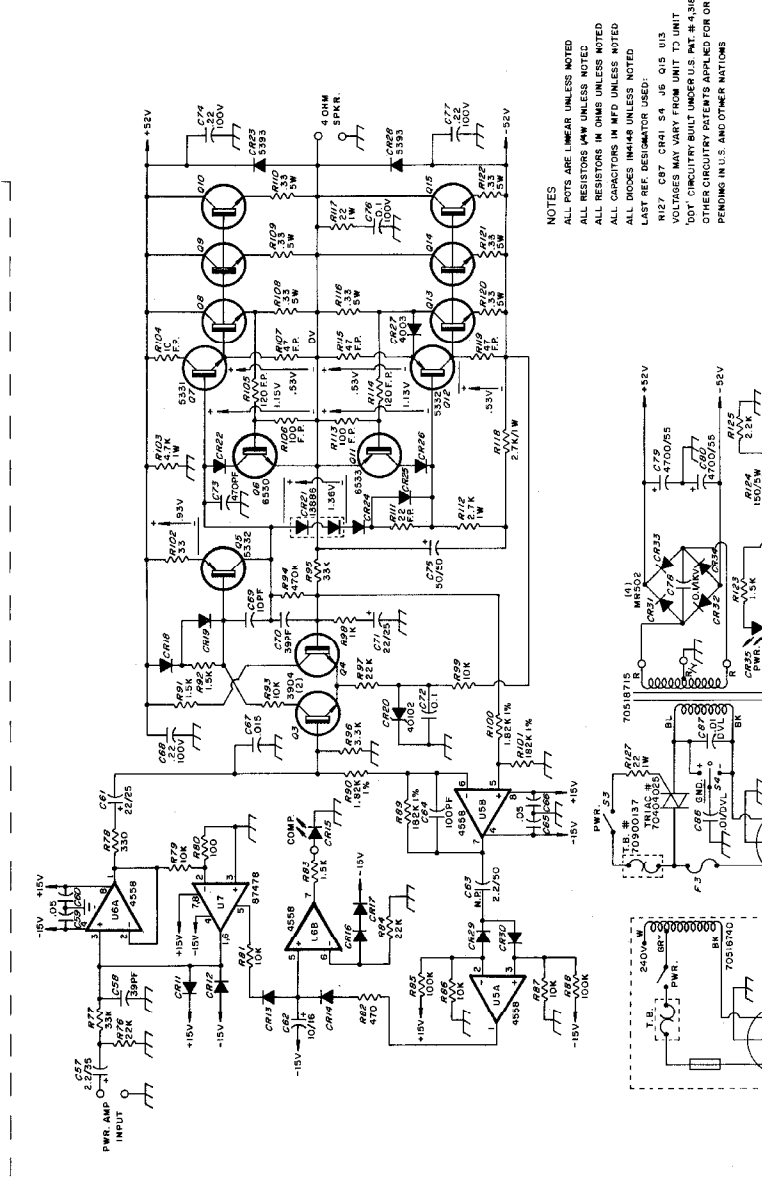
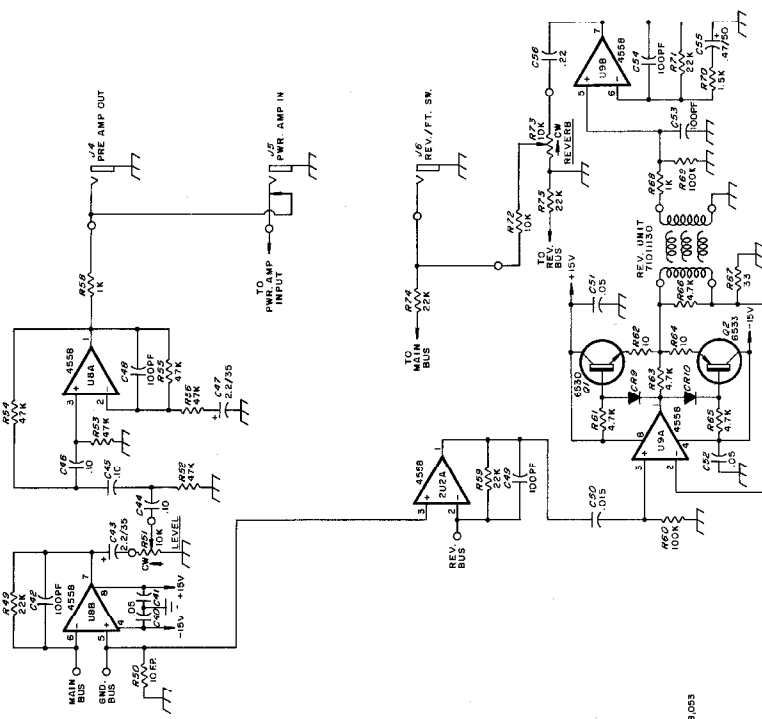
REV. # 9855010012/5/82



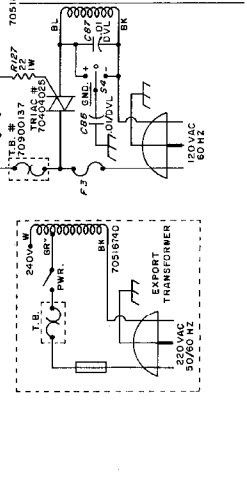
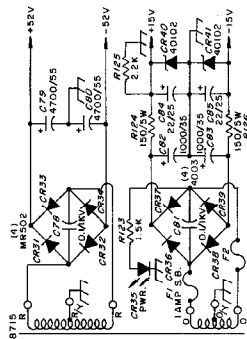
CHANNEL 3 & 4
 USE PREFIX '3' FOR DESIG.
 USE PREFIX '4' FOR CH. 4 REF.
 DESIG. USE PREFIX '4'.

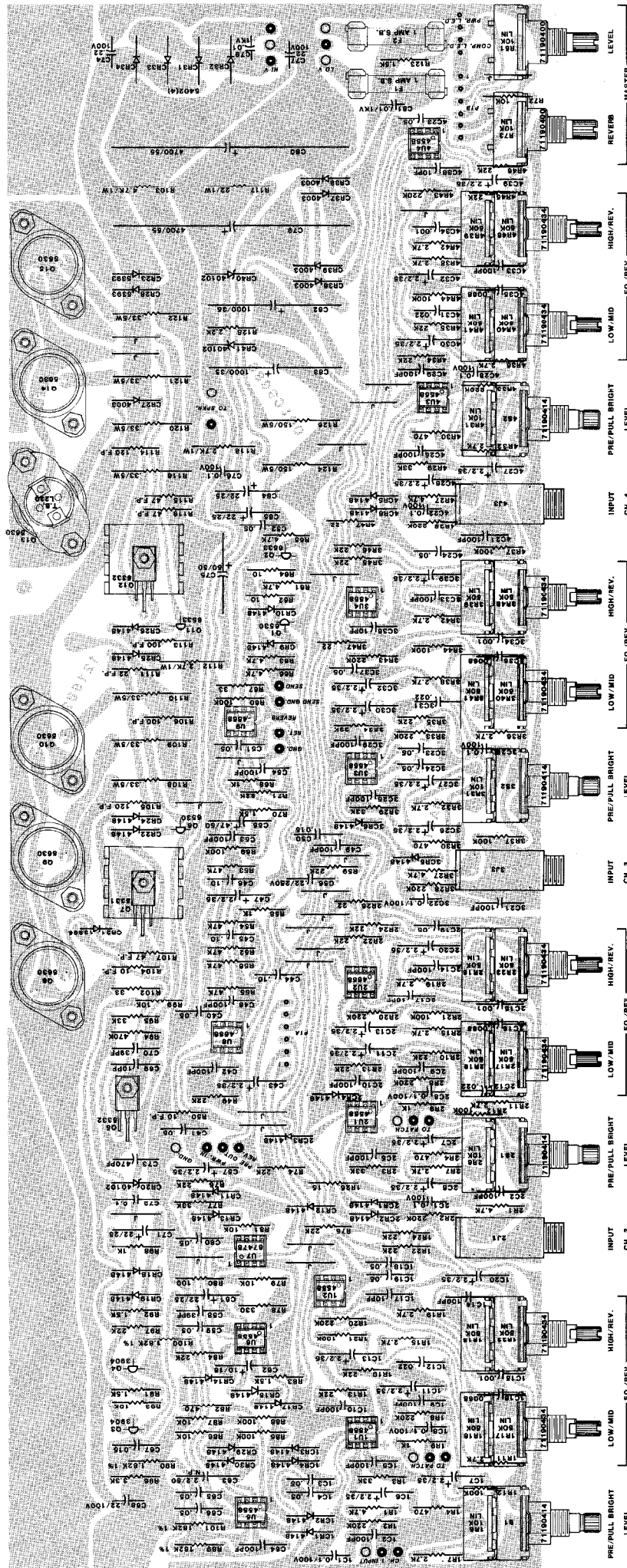


CHANNEL 1 & 2
 USE PREFIX '1' AND '2' FOR DESIG.
 USE PREFIX '1' AND '2' FOR CH. 1 REF.
 USE PREFIX '2' FOR CH. 2 REF.



- NOTES
- ALL POTS ARE LINEAR UNLESS NOTED
 - ALL RESISTORS 1/4W UNLESS NOTED
 - ALL RESISTORS IN OHMS UNLESS NOTED
 - ALL CAPACITORS IN MFD UNLESS NOTED
 - ALL DIODES 1N4148 UNLESS NOTED
 - LAST REF DESIGNATOR USED.
 - R127 C87 CR41 S4 J6 Q15 U15
 - VOLTAGES MAY VARY FROM UNIT TO UNIT
 - DO NOT CIRCUITRY BUILT UNDER U.S. PAT # 4,389,053
 - OTHER CIRCUITRY PATENTS APPLIED FOR OR PENDING IN U.S. AND OTHER NATIONS





RHYTHM MASTER

LEVEL MASTER REVERS HIGH/REV. LOW/MID PRE/PULL BRIGHT LEVEL INPUT CH. 4 HIGH/REV. LOW/MID PRE/PULL BRIGHT LEVEL INPUT CH. 3 HIGH/REV. LOW/MID PRE/PULL BRIGHT LEVEL INPUT CH. 2 HIGH/REV. LOW/MID PRE/PULL BRIGHT LEVEL