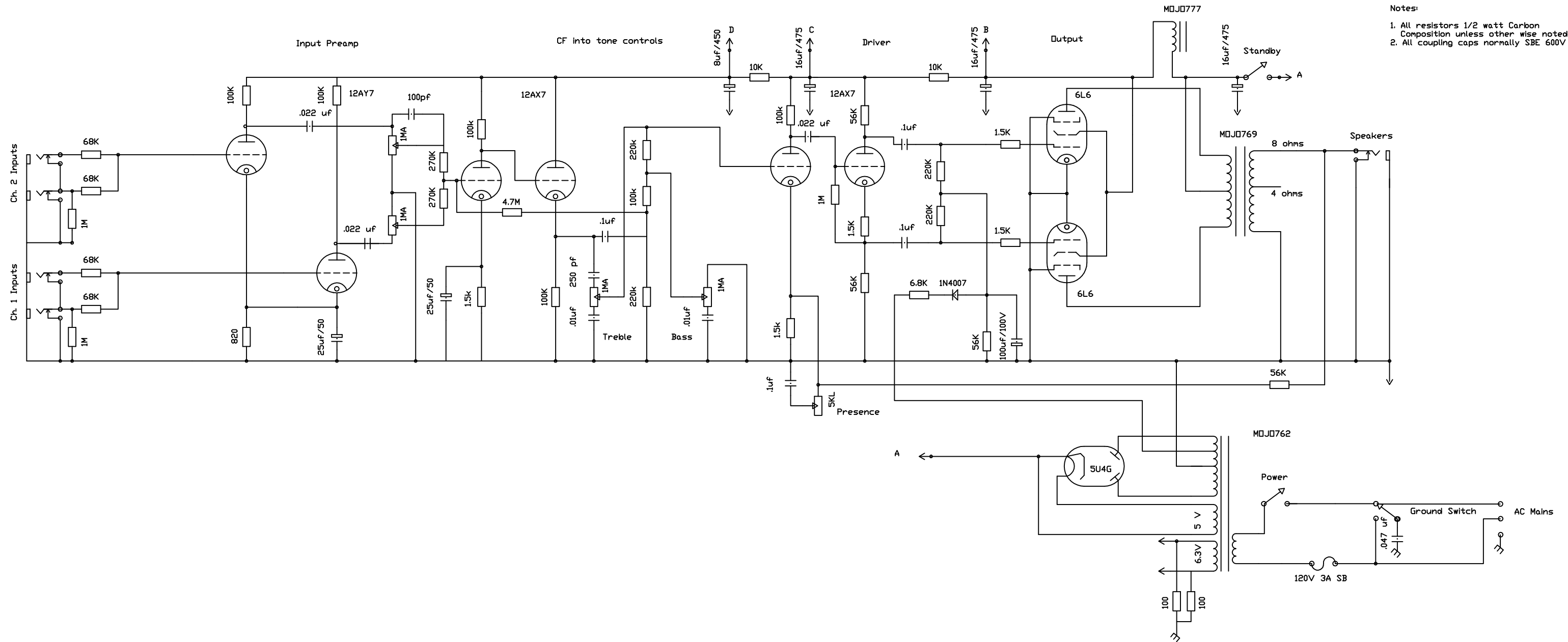


REV CHANGE			
REV	BY	DATE	NOTE



Notes:  
 1. All resistors 1/2 watt Carbon Composition unless other wise noted  
 2. All coupling caps normally SBE 600V

DATE: 03-19-08
PRINT SCALE: N/A
DRAWN SCALE: N/A
Pg: 1 of 1

TOLERANCE: N/A	UNITS: N/A	PART NAME: MK-PRO-SCH	FILE: MK-PRO-SCH.DWG
MATERIAL: N/A		PART DESC: Schematic For Mojo SUPER	DRAWN BY: Andy Turner
FINISH: N/A		MOJO PN: D-MK-PRO-SCH	

  
**Mojo Musical Supply**  
 Tel 910-259-7291 Fax 910-259-7292