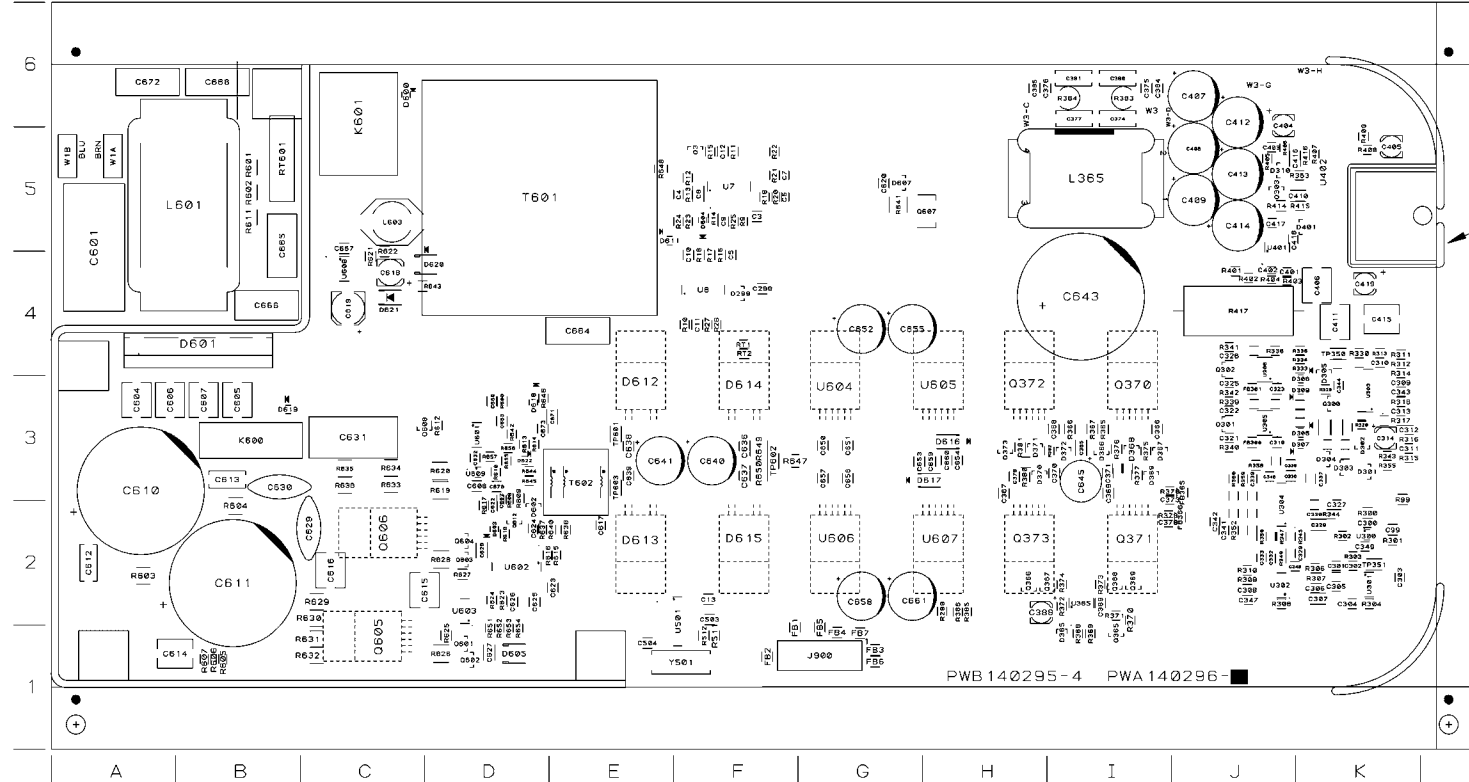


REVISION HISTORY					
E. C. N.	ZONE	REV	DESCRIPTION	DATE	APPROVED
					DWN CM PE
		1	SEE 140296-4_1.XLS FOR COMPONENT DATA.	06-06-08	TRW EB



REMOVE PWB TAB AFTER U402 HAS BEEN SOLDERED.

ALL T0220 PACKAGES ARE MOUNTED TO THE BOTTOM OF THE BOARD

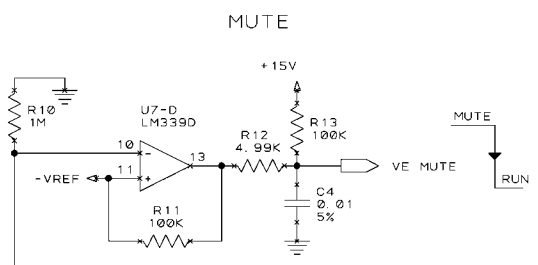
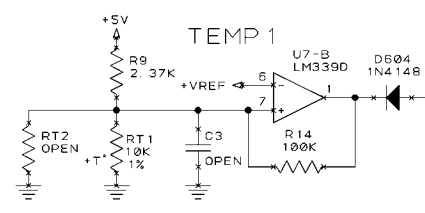
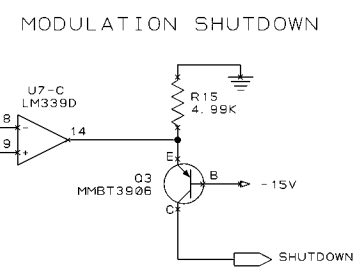
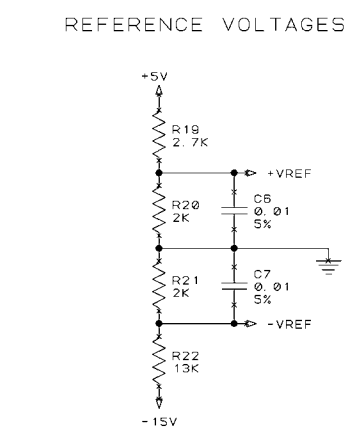
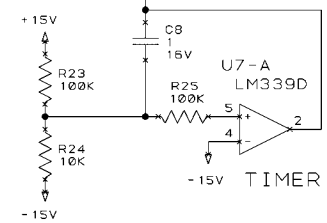
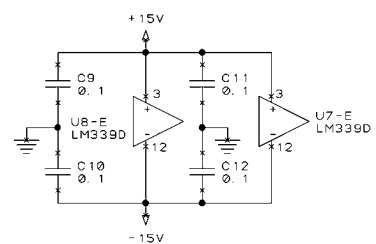
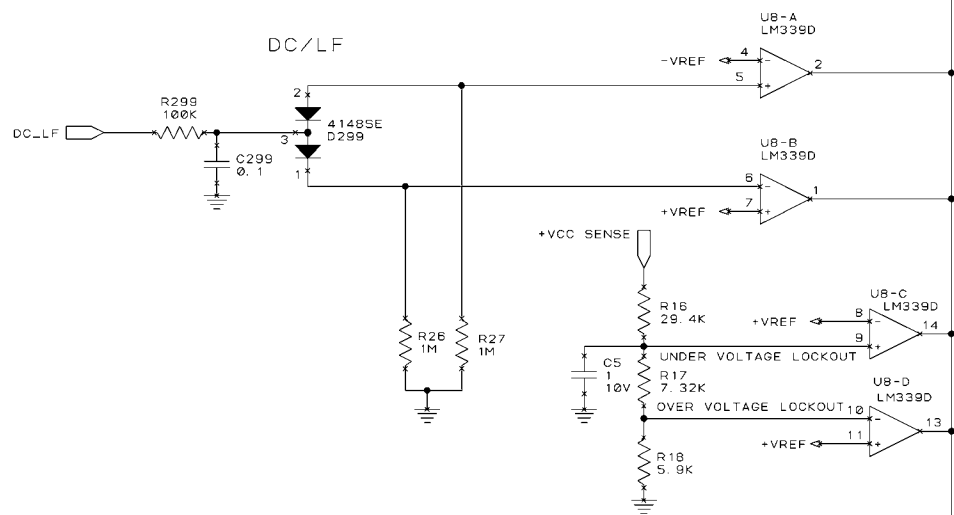
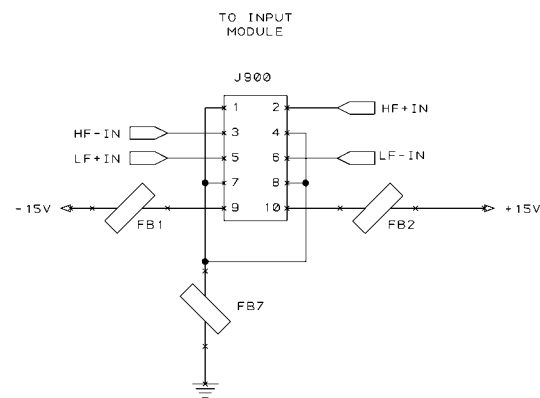
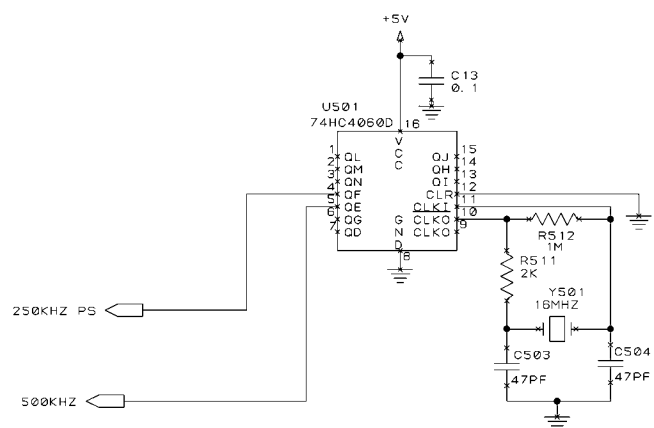
ROHS COMPLIANCE:

THIS PART MUST COMPLY WITH CROWN AUDIO SPECIFICATION 138935 AND ROHS DIRECTIVE 2002/95/EC OR BE DEFINED AS A ROHS APPROVED EXCEPTION.

UNCONTROLLED  
UNLESS OTHERWISE MARKED IN RED INK BY CM AS A CONTROLLED COPY, COPIES OF THESE DOCUMENTS INCLUDING ASSOCIATED ELECTRONIC REPRODUCTIONS ARE FOR REFERENCE ONLY. VERIFY LATEST REVISION PRIOR TO USE.

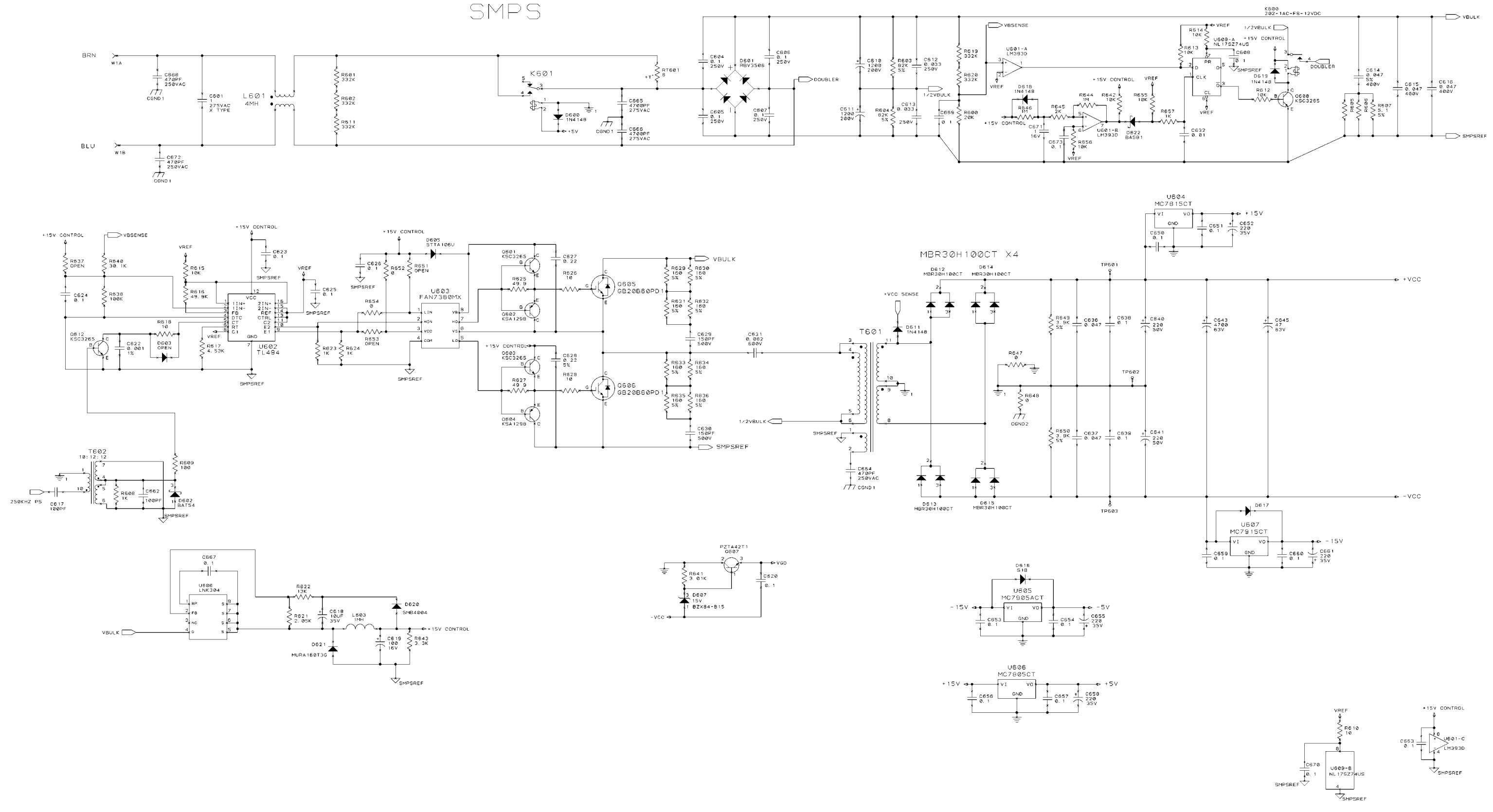
THESE DRAWINGS AND SPECIFICATIONS ARE THE PROPERTY OF CROWN INTERNATIONAL, INC. AND SHALL NOT BE REPRODUCED, COPIED, OR USED AS THE BASIS FOR THE MANUFACTURE OR SALE OF APPARATUS OR DEVICES WITHOUT PERMISSION.

DISTRIBUTION	DWN	TRW	06-06-08		1718 W. MISHAWAKA RD. ELKHART IN. 46517 PHONE 574-294-8000 WWW.CROWNAUDIO.COM
	CM				
FILENAME	PE	EB	06-06-08	TITLE	PWA, EONS15
TOLERANCE UNLESS OTHERWISE SPECIFIED				SIZE	DWG NO.
.00 = ±.02"				C	140296-4
.000 = ±.010"				REV	1
DRILLS = ±.003"				SCALE	NONE
DO NOT SCALE DRAWING				PROJ NO.	EONS15
				SHEET	1 OF 6

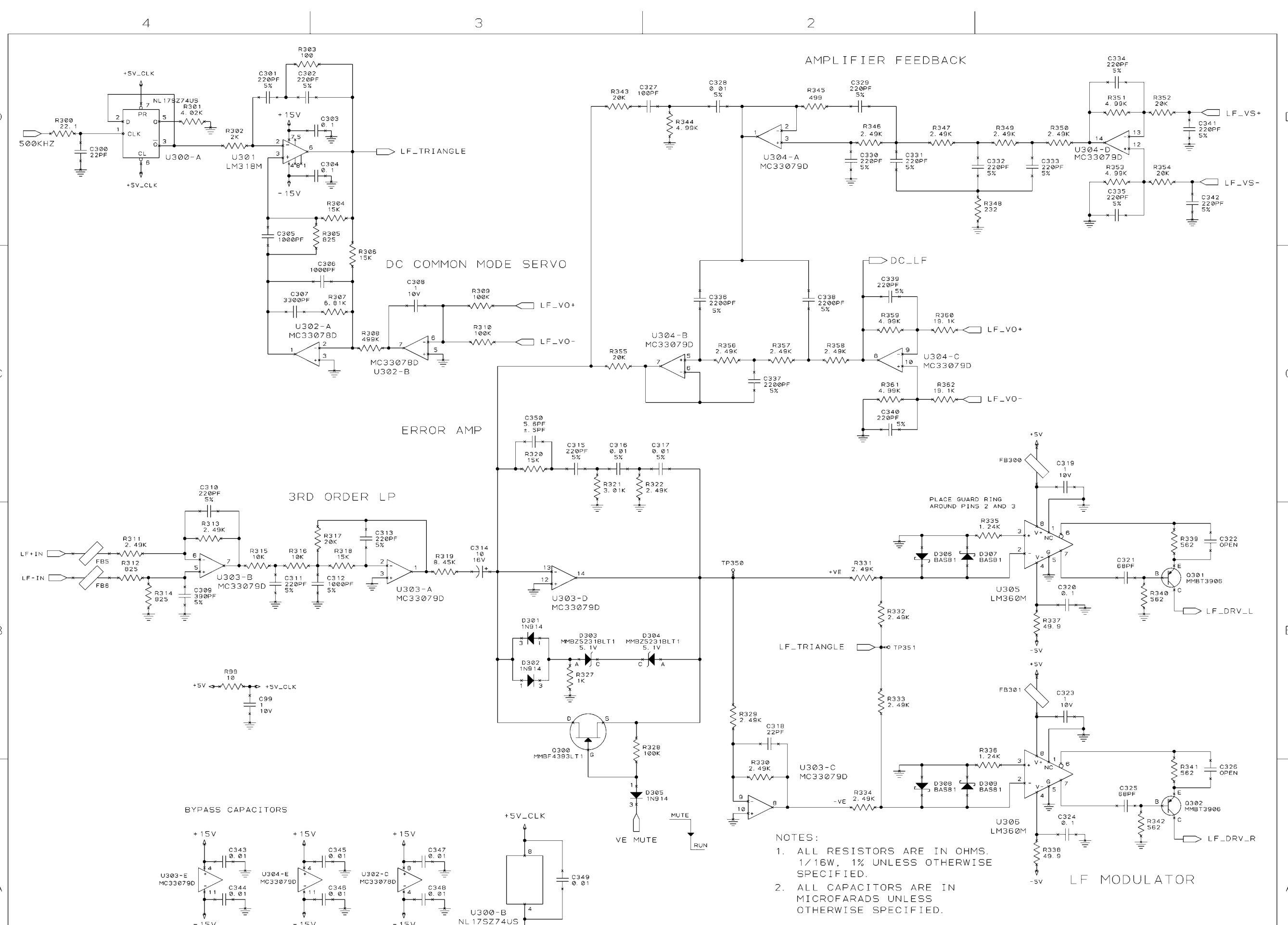


UNCONTROLLED		THESE DRAWINGS AND SPECIFICATIONS ARE THE PROPERTY OF CROWN INTERNATIONAL, INC. AND SHALL NOT BE REPRODUCED, COPIED, OR USED AS THE BASIS FOR THE MANUFACTURE OR SALE OF APPARATUS OR DEVICES WITHOUT PERMISSION.		SIZE C	DWG NO. 140296-4	REV 1
UNLESS OTHERWISE MARKED IN RED INK BY CM AS A CONTROLLED COPY, COPIES OF THESE DOCUMENTS INCLUDING ASSOCIATED ELECTRONIC REPRODUCTIONS ARE FOR REFERENCE ONLY.				SCALE NONE	PROJ NO. EON515	SHEET 2 OF 6

# SMPS



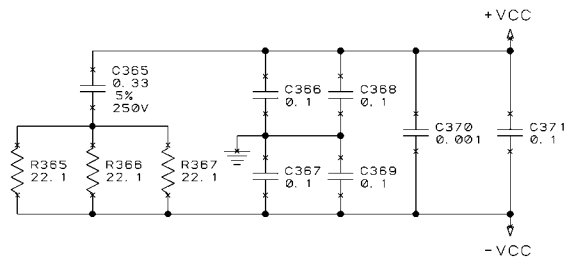
NOTES:  
 1. ALL RESISTORS ARE IN OHMS.  
 0.10W, 1% UNLESS OTHERWISE SPECIFIED.  
 2. ALL CAPACITORS ARE IN MICROFARADS UNLESS OTHERWISE SPECIFIED.



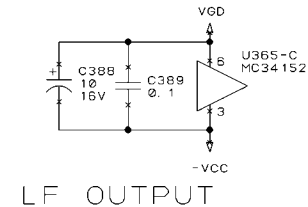
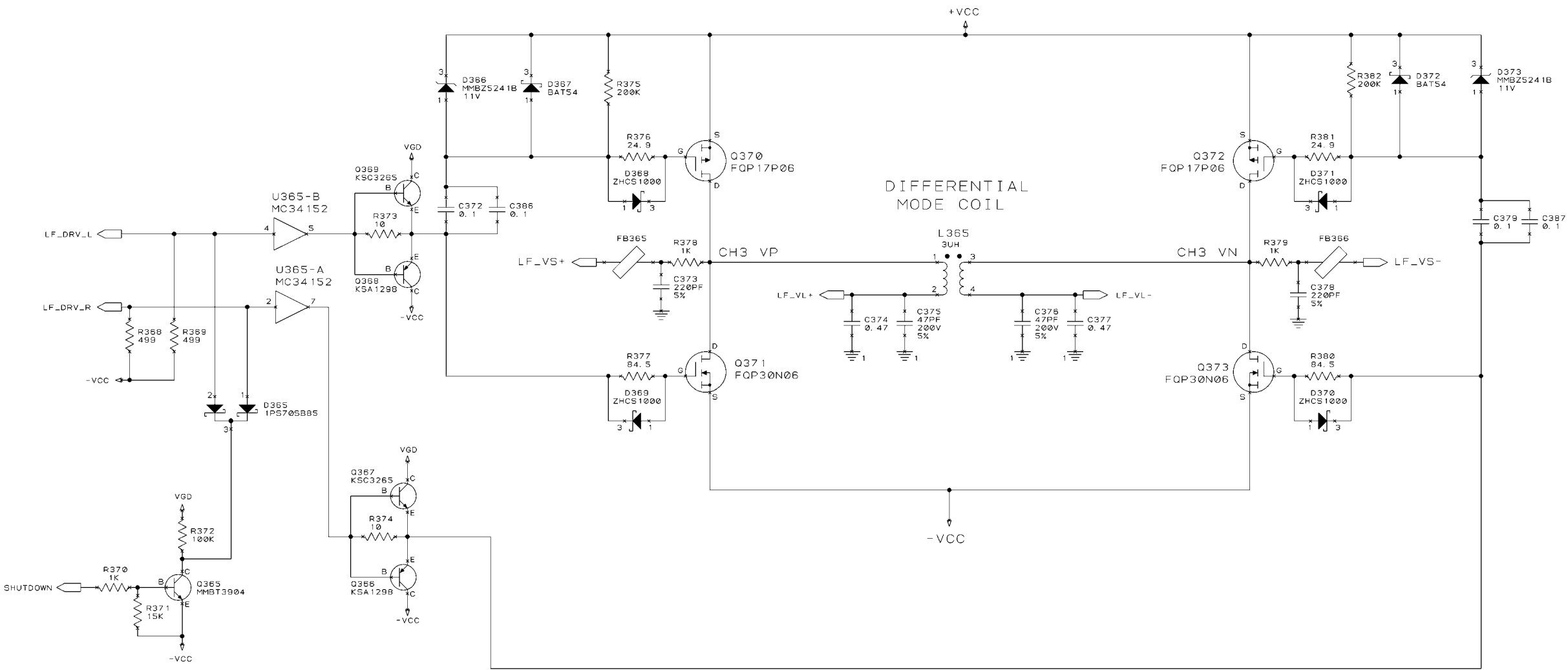
- NOTES:
1. ALL RESISTORS ARE IN OHMS. 1/16W, 1% UNLESS OTHERWISE SPECIFIED.
  2. ALL CAPACITORS ARE IN MICROFARADS UNLESS OTHERWISE SPECIFIED.

UNCONTROLLED UNLESS OTHERWISE MARKED IN RED INK BY CM AS A CONTROLLED COPY. COPIES OF THESE DOCUMENTS INCLUDING ASSOCIATED ELECTRONIC REPRODUCTIONS ARE FOR REFERENCE ONLY.		THESE DRAWINGS AND SPECIFICATIONS ARE THE PROPERTY OF CROWN INTERNATIONAL, INC. AND SHALL NOT BE REPRODUCED, COPIED, OR USED AS THE BASIS FOR THE MANUFACTURE OR SALE OF APPARATUS OR DEVICES WITHOUT PERMISSION.		SIZE C	DWG NO. 140296-4	REV 1
SCALE NONE		PROJ NO. EONS15		SHEET 4 OF 6		

POWER SUPPLY FILTERING

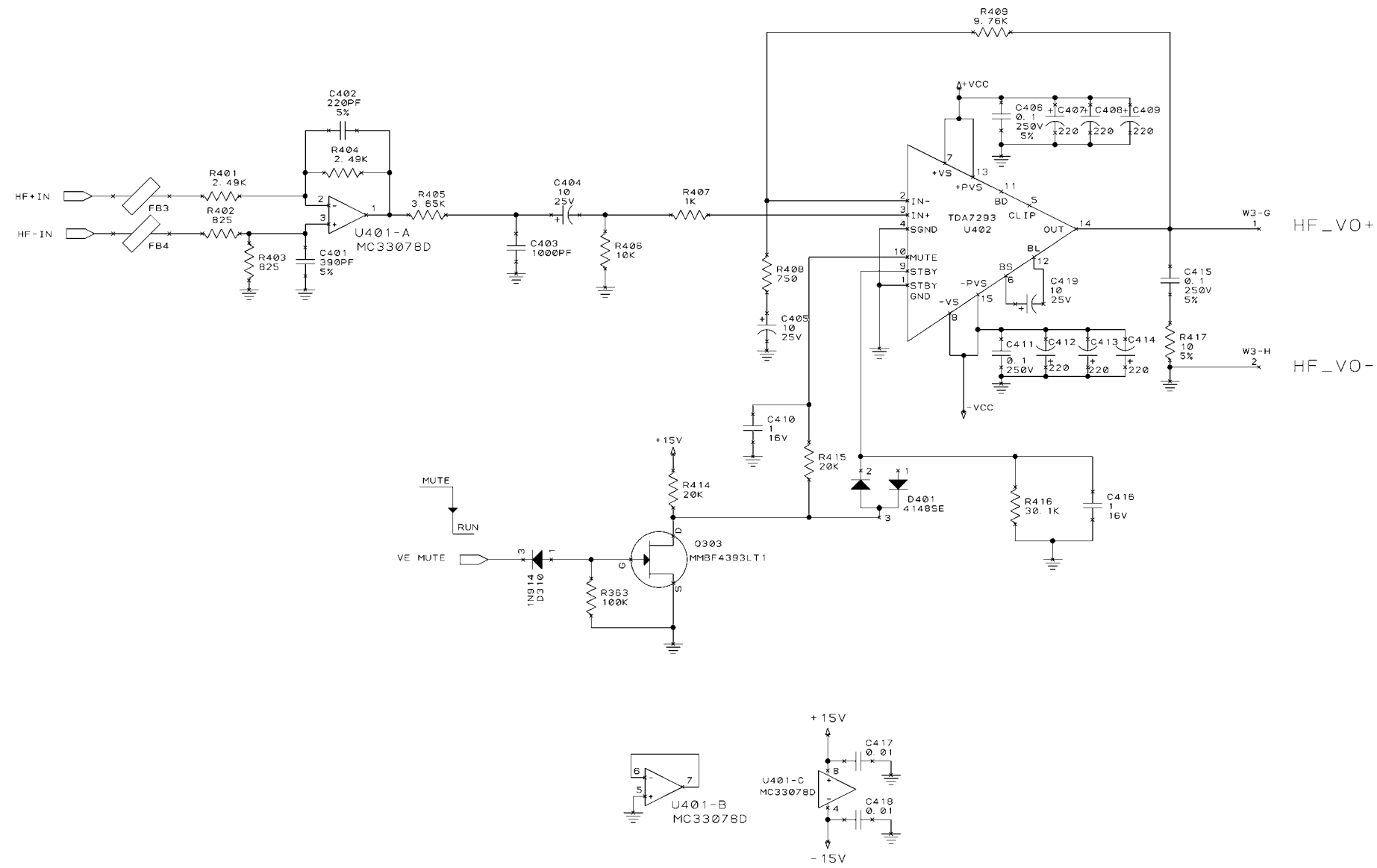


DIFFERENTIAL MODE COIL



LF OUTPUT

UNCONTROLLED UNLESS OTHERWISE MARKED IN RED INK BY CM AS A CONTROLLED COPY. COPIES OF THESE DOCUMENTS INCLUDING ASSOCIATED ELECTRONIC REPRODUCTIONS ARE FOR REFERENCE ONLY.		THESE DRAWINGS AND SPECIFICATIONS ARE THE PROPERTY OF CROWN INTERNATIONAL, INC. AND SHALL NOT BE REPRODUCED, COPIED, OR USED AS THE BASIS FOR THE MANUFACTURE OR SALE OF APPARATUS OR DEVICES WITHOUT PERMISSION.		SIZE C	DWG NO. 140296-4	REV 1
SCALE NONE		PROJ NO. EON515		SHEET 5 OF 6		



HF AMP

UNCONTROLLED UNLESS OTHERWISE MARKED IN RED INK BY CM AS A CONTROLLED COPY. COPIES OF THESE DOCUMENTS INCLUDING ASSOCIATED ELECTRONIC REPRODUCTIONS ARE FOR REFERENCE ONLY.		THESE DRAWINGS AND SPECIFICATIONS ARE THE PROPERTY OF CROWN INTERNATIONAL, INC. AND SHALL NOT BE REPRODUCED, COPIED, OR USED AS THE BASIS FOR THE MANUFACTURE OR SALE OF APPARATUS OR DEVICES WITHOUT PERMISSION.		SIZE C	DWG NO. 140296-4	REV 1
SCALE NONE		PROJ NO. EONS15		SHEET 6 OF 6		