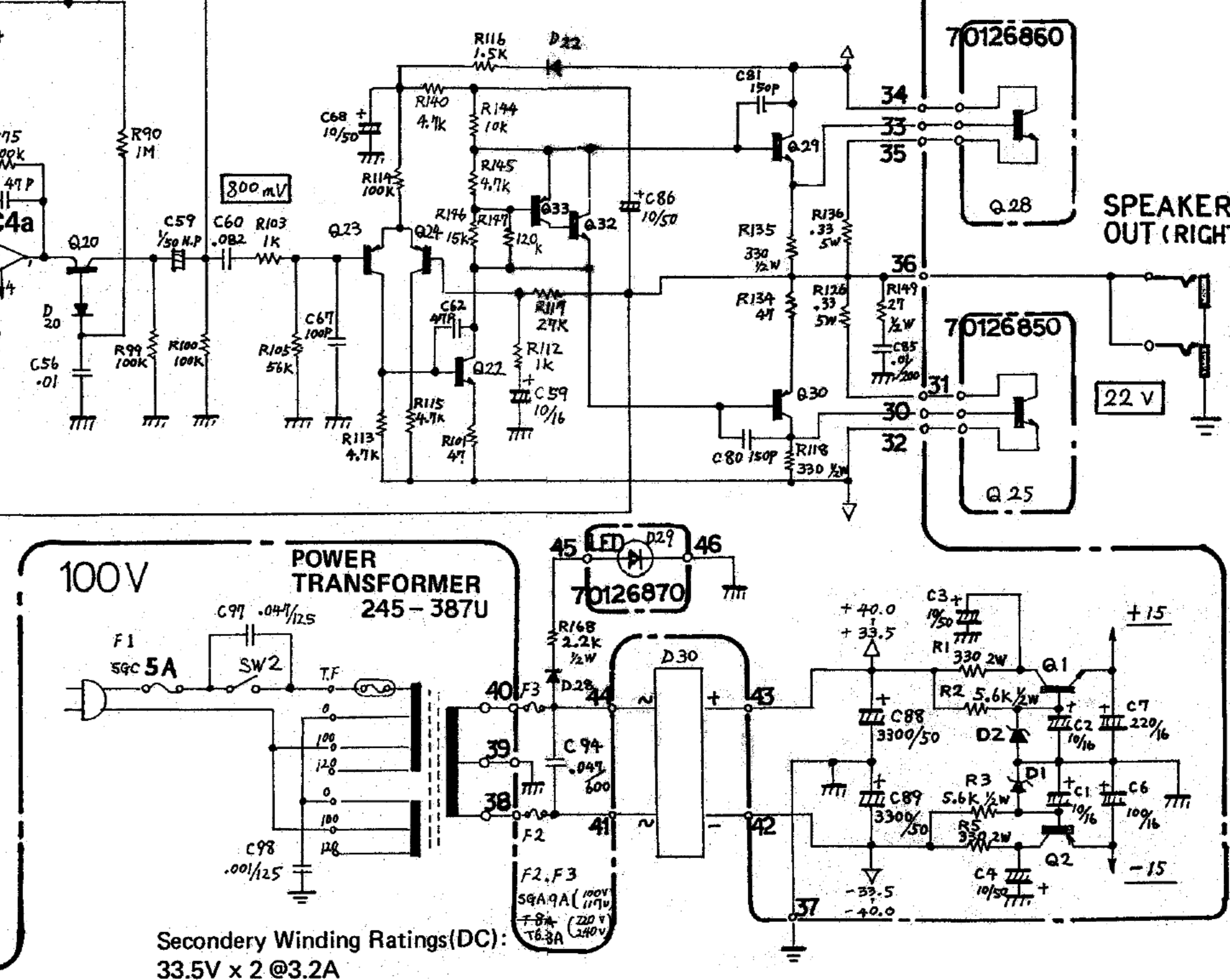
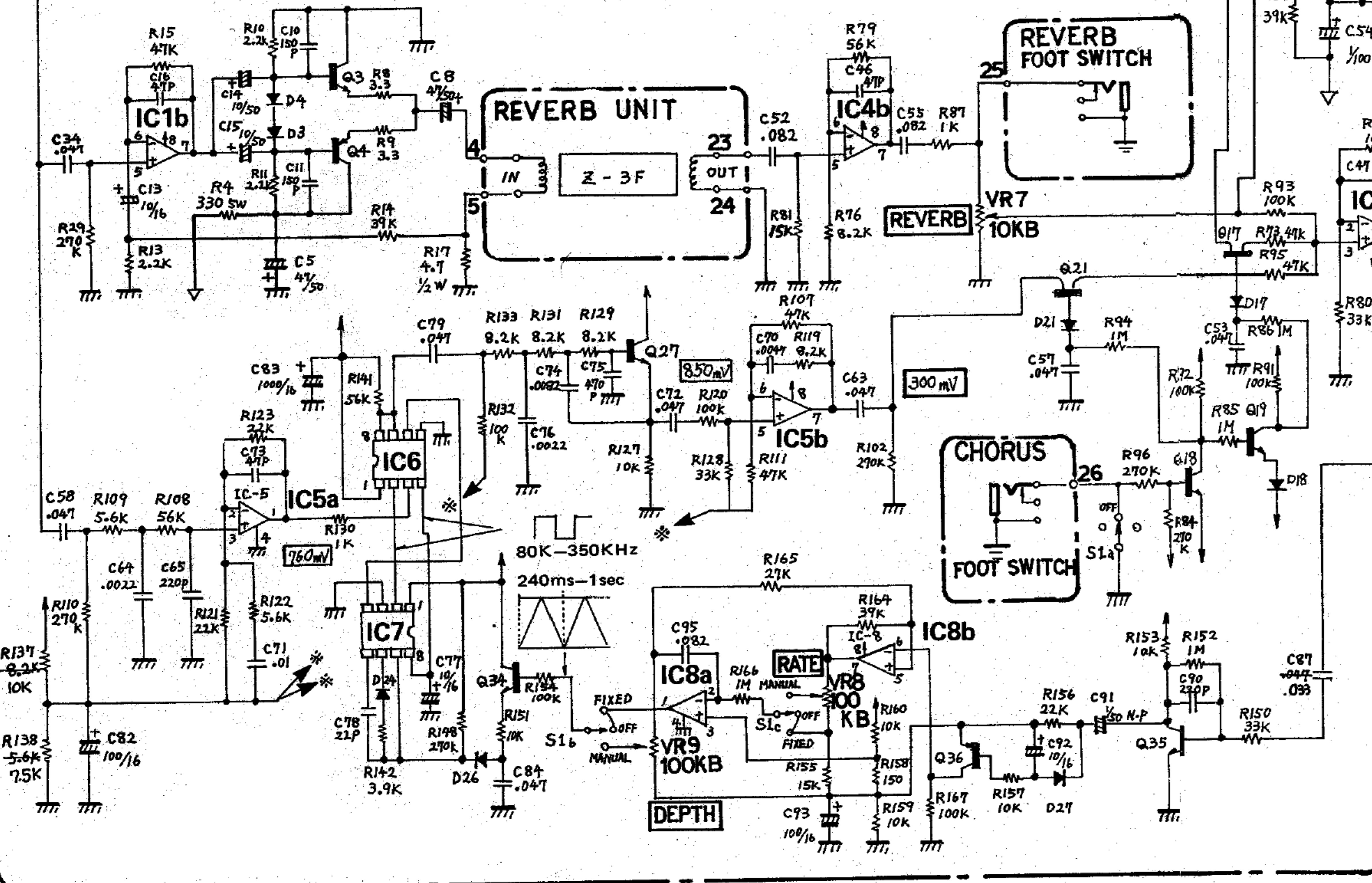
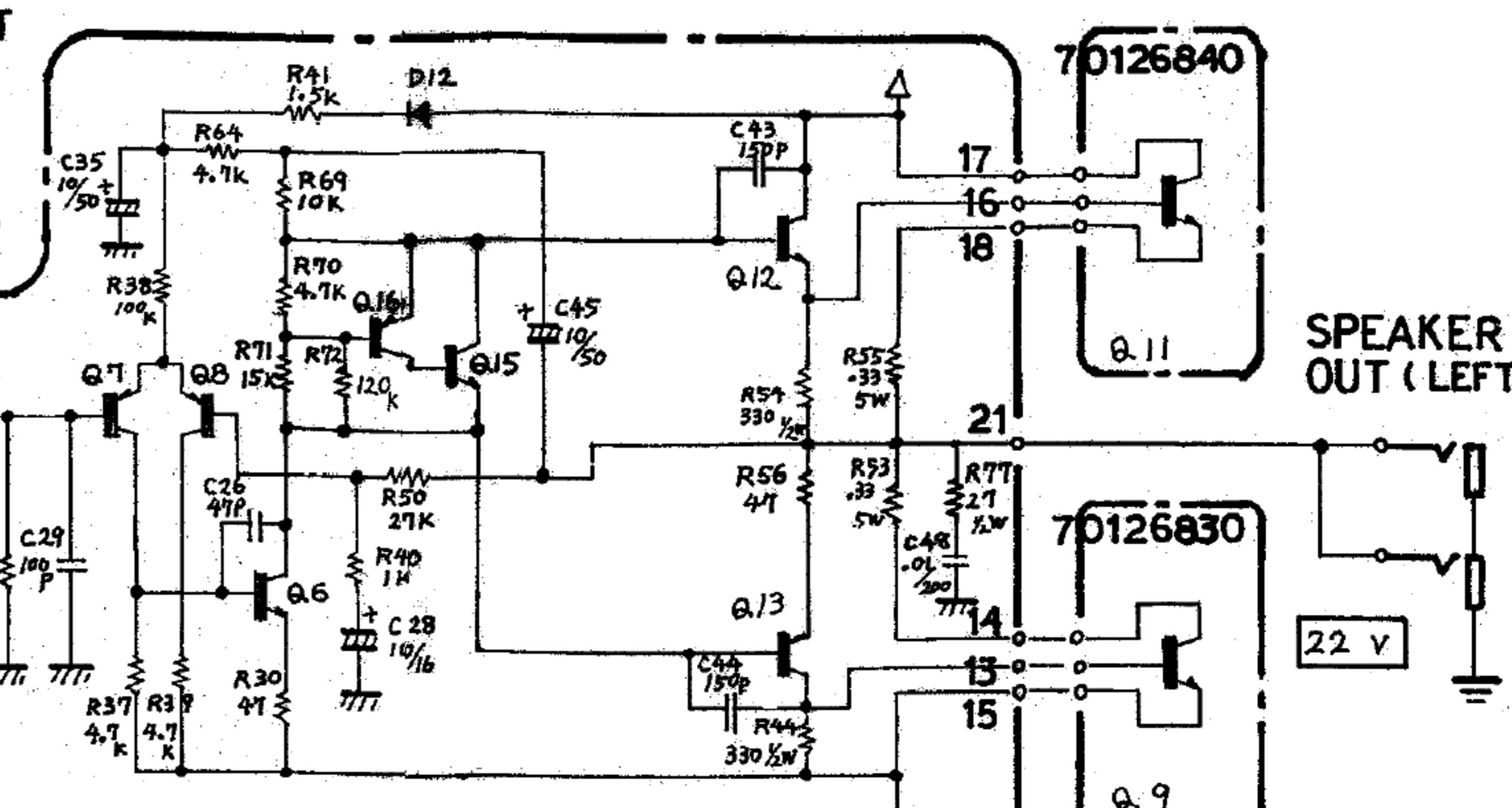
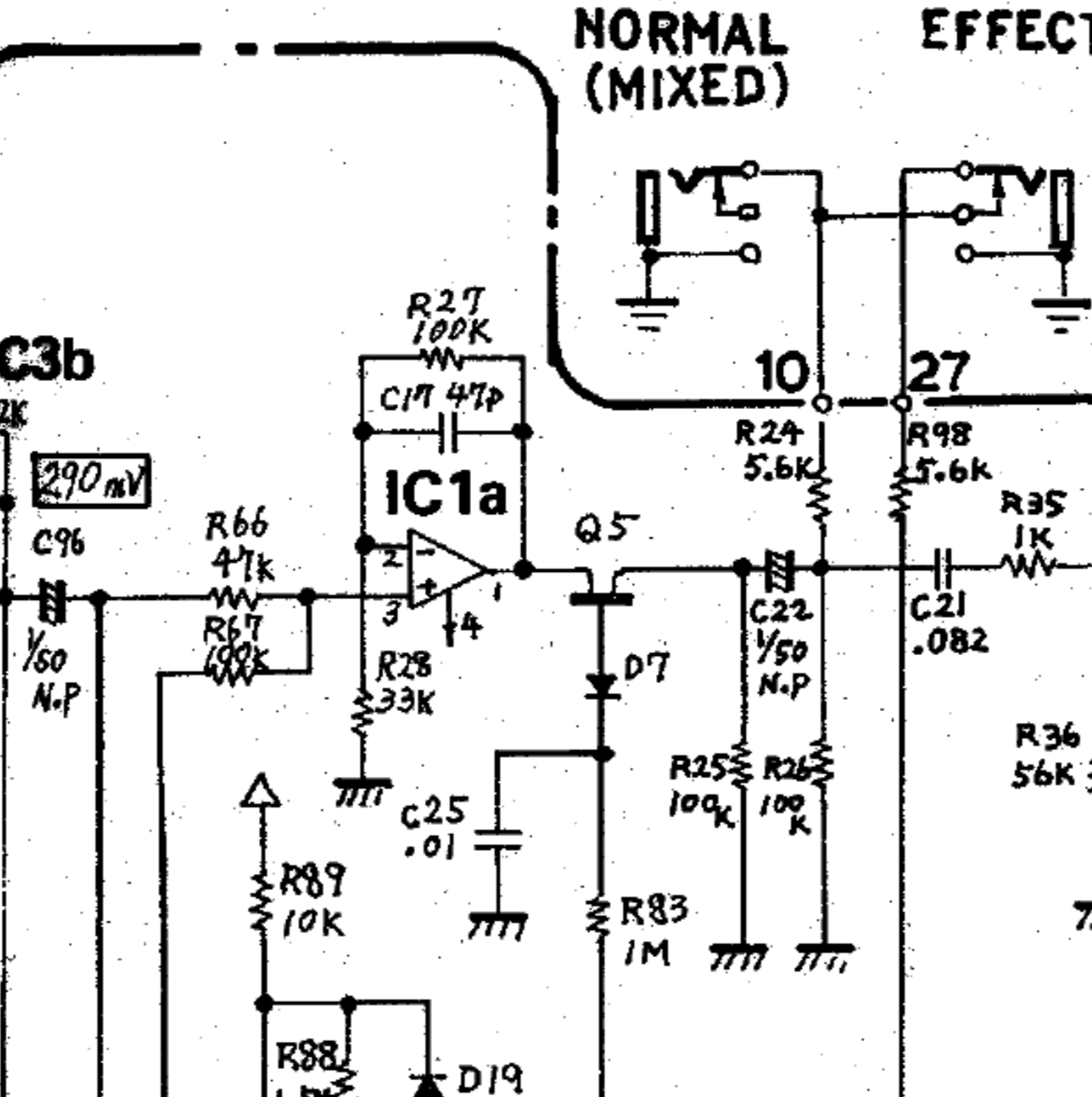
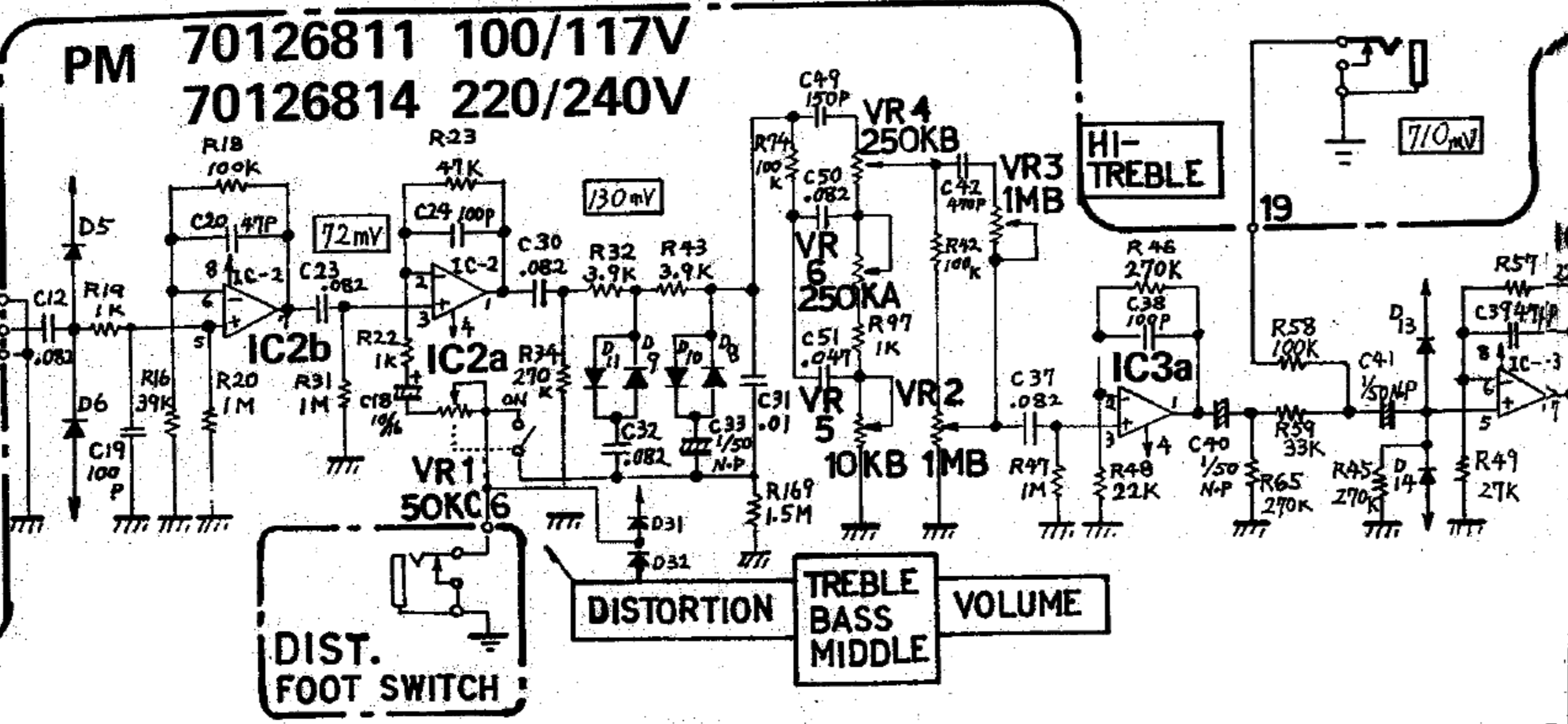
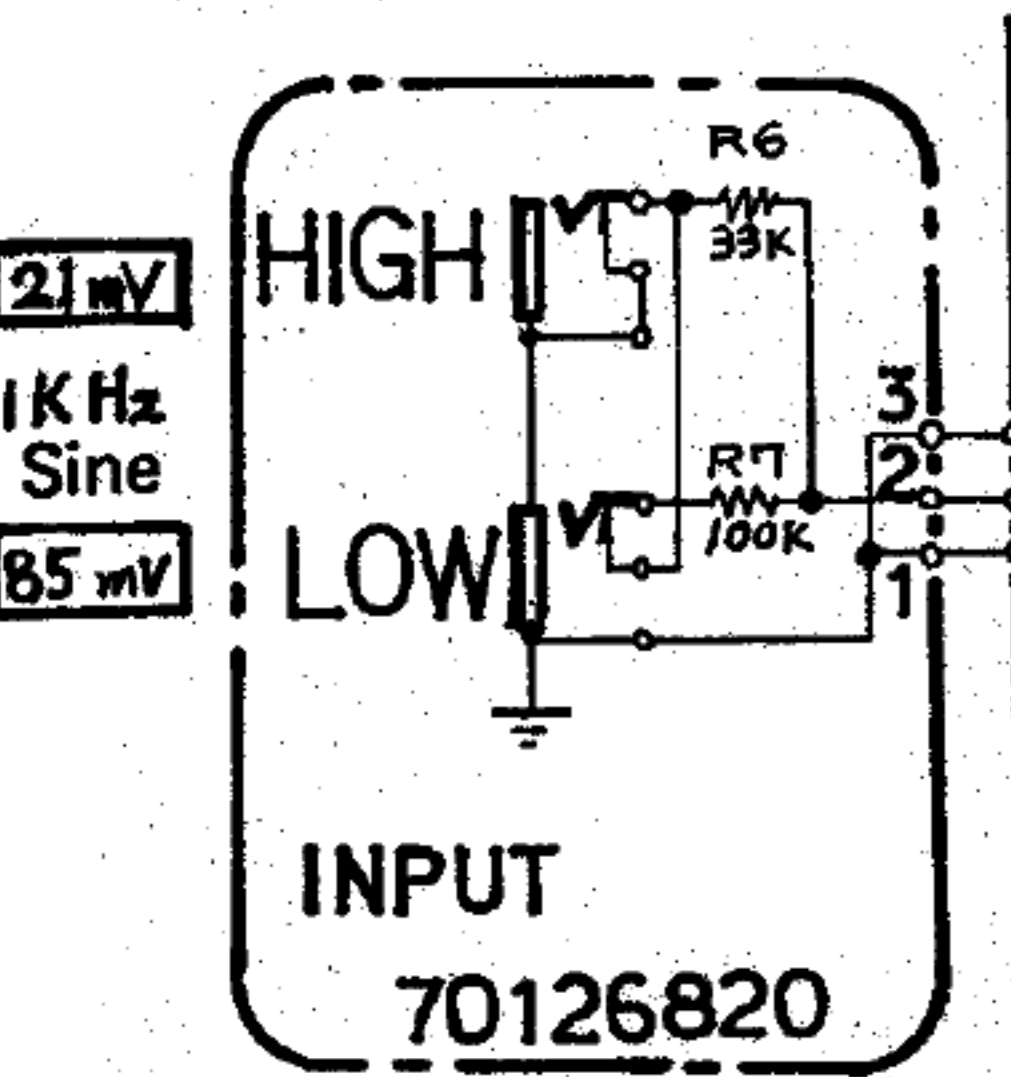


CIRCUIT DIAGRAM



- IC1, 5, 8 M5218L (or NJM4558S or LA6458S)
- IC6 MN3007
- IC7 MN3101
- Q2 2SB647-C (or 2SB649A-C)
- Q1, 3, 12, 29 2SD669A-C
- Q4, 13, 30 2SB649A-C
- Q6, 22 2SC2229-Y (or 2SD668A-C)
- Q7, 8, 16, 23, 24, 33 2SA970-GR
- Q9, 11, 25, 28 2SD845 (or 2SC2773-O)
- Q15, 32 2SC2240-GR
- Q18, 19, 27, 34, 35 2SC945-Q
- Q36 2SA1015-Y (or 2SA1015-GR)
- Q5, 17, 20, 21 2SK117-GR (or 2SK117-Y)

- D1, 2 RD16EB2
 - D3-11, 13, 14, 17, 18, 20, 21, 24, 26, 27, 31, 32 1S2473 (or 1S1588 or DS442)
 - D12, 19, 22, 28 S5500G (or 1N4003)
 - D29 GL-5AR1
 - D30 KBPC-802
- *Signal Voltages (rms) Taken Under Conditions:
- Input 1KHz sine
- Equalizer BASS FCW
MIDDLE FCW
TREBLE FCW
Hi-TREBLE FCW

