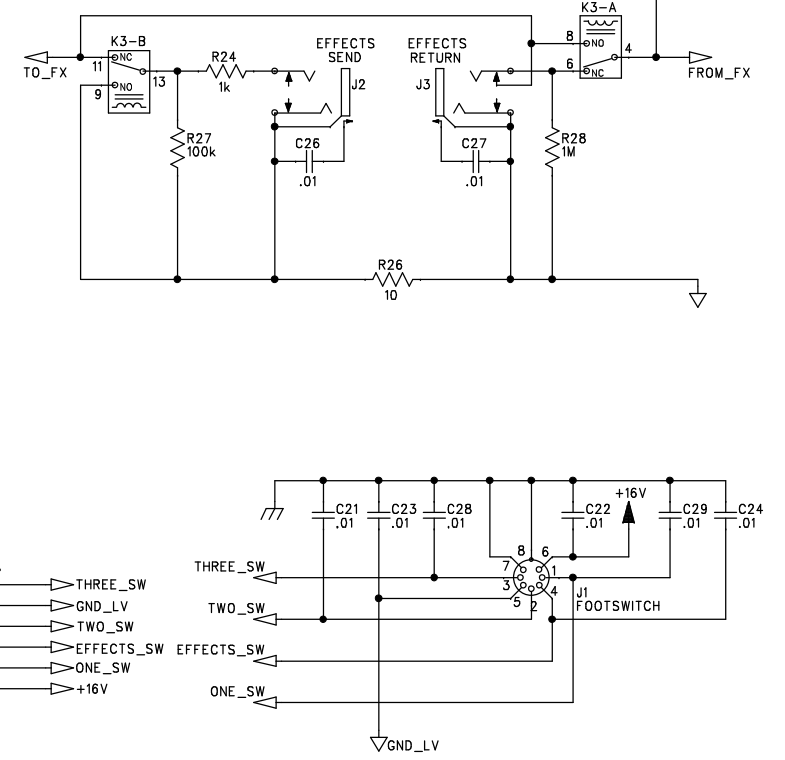
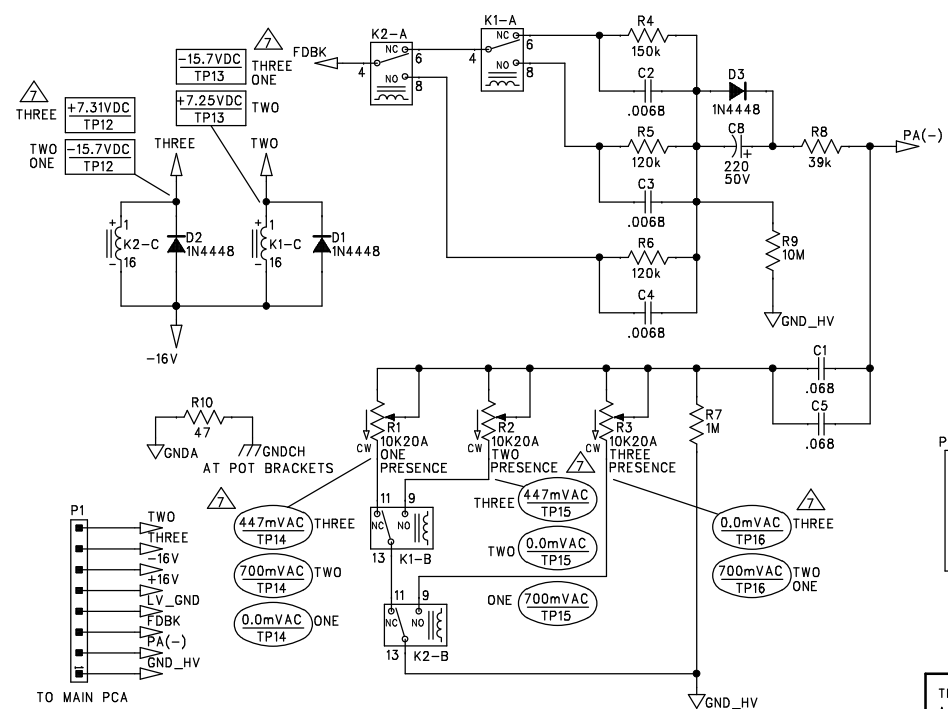
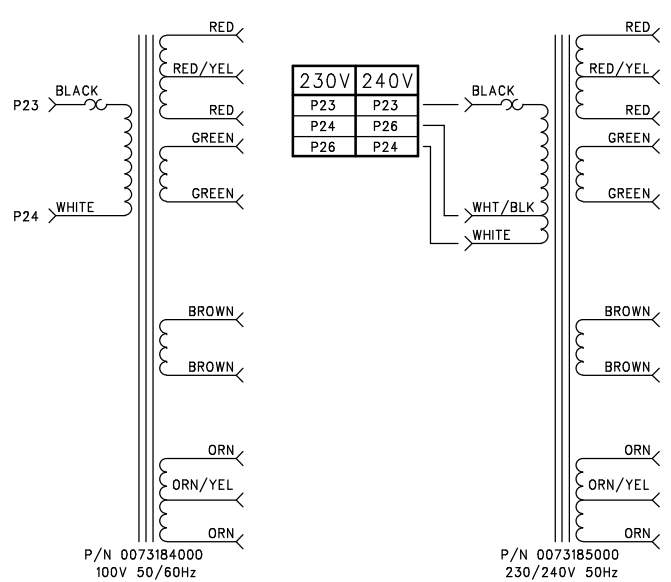
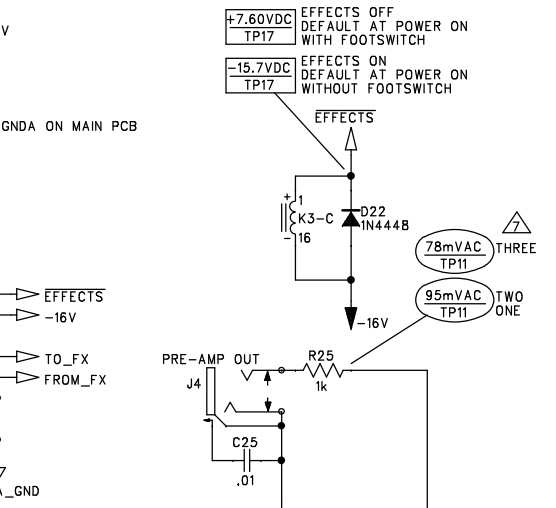
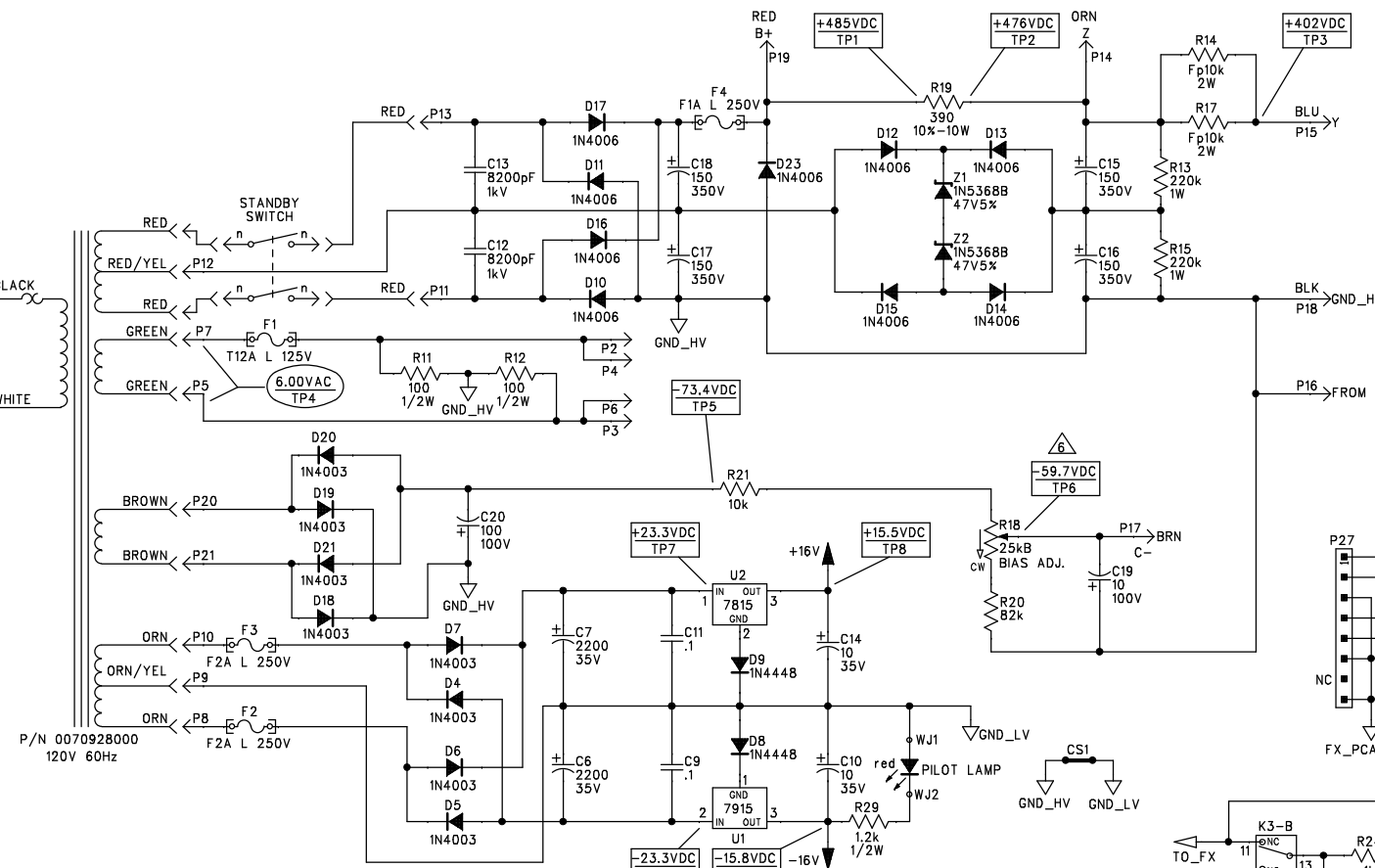
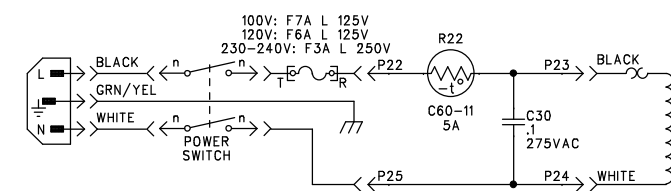


REVISIONS			
REV.	DESCRIPTION	DATE	APPROVED
A	PR684	18-AUG-06	MCU
B	EC 3708	20-DEC-06	MCU



- 9. INSTANCES NOT USED: R23
- 8. LAST INSTANCES: C29 D23 F4 J4 K3 P29 R29 TP17 U2 W2 WJ2 Z2
- SEE SCHEMATIC 0070922000 SHEET 1 NOTE 7 FOR TESTING CONDITIONS. NOTE THE DIFFERENT INPUT SIGNAL VOLTAGES AND FREQUENCIES USED FOR TESTING EACH CHANNEL.
- SEE SCHEMATIC 0070922000 SHEET 1 NOTE 6 FOR BIASING INSTRUCTIONS. VOLTAGE SHOWN AT TP6 IS FOR REFERENCE ONLY AND WILL VARY FROM UNIT TO UNIT.
- THIS SCHEMATIC IS FOR PCB FABRICATION P/N 0070919000 AND PCB ASSEMBLY P/N 0070921000.
- ALL DIODES ARE 1N4448.
- ALL POLARIZED CAPACITORS IN uF, 20%; 50V MINIMUM.
- ALL UNPOLARIZED CAPACITORS IN uF, 10% OR BETTER; 50V MINIMUM. (POWER SUPPLY BYPASS CAPACITORS ARE 20%).
- ALL RESISTORS IN OHMS, 5%; 1/4W.

NOTES: (UNLESS OTHERWISE NOTED)

THIS DOCUMENT CONTAINS INFORMATION OF A PROPRIETARY NATURE TO FENDER MUSICAL INSTRUMENTS AND IS SUBMITTED TO YOU IN CONFIDENCE AND SHALL NOT BE DISCLOSED OR TRANSMITTED TO OTHERS WITHOUT AUTHORIZATION FROM FENDER MUSICAL INSTRUMENTS.

CHECKED BY: _____
DATE: _____

APPROVED BY: _____
DATE: _____

DRAWN: M.ULRICH ENGR: MULRICH
DATABASE FILE: Z684S2.SCH

Fender MUSICAL INSTRUMENTS
Corona, CA U.S.A.

TITLE: SERVICE DIAGRAM, COMBINED (schematic)
EVH 5150-III AMPLIFIER
PWR SUPPLY PCA

SIZE DRAWING NUMBER REV.
C 0070916000 **B**

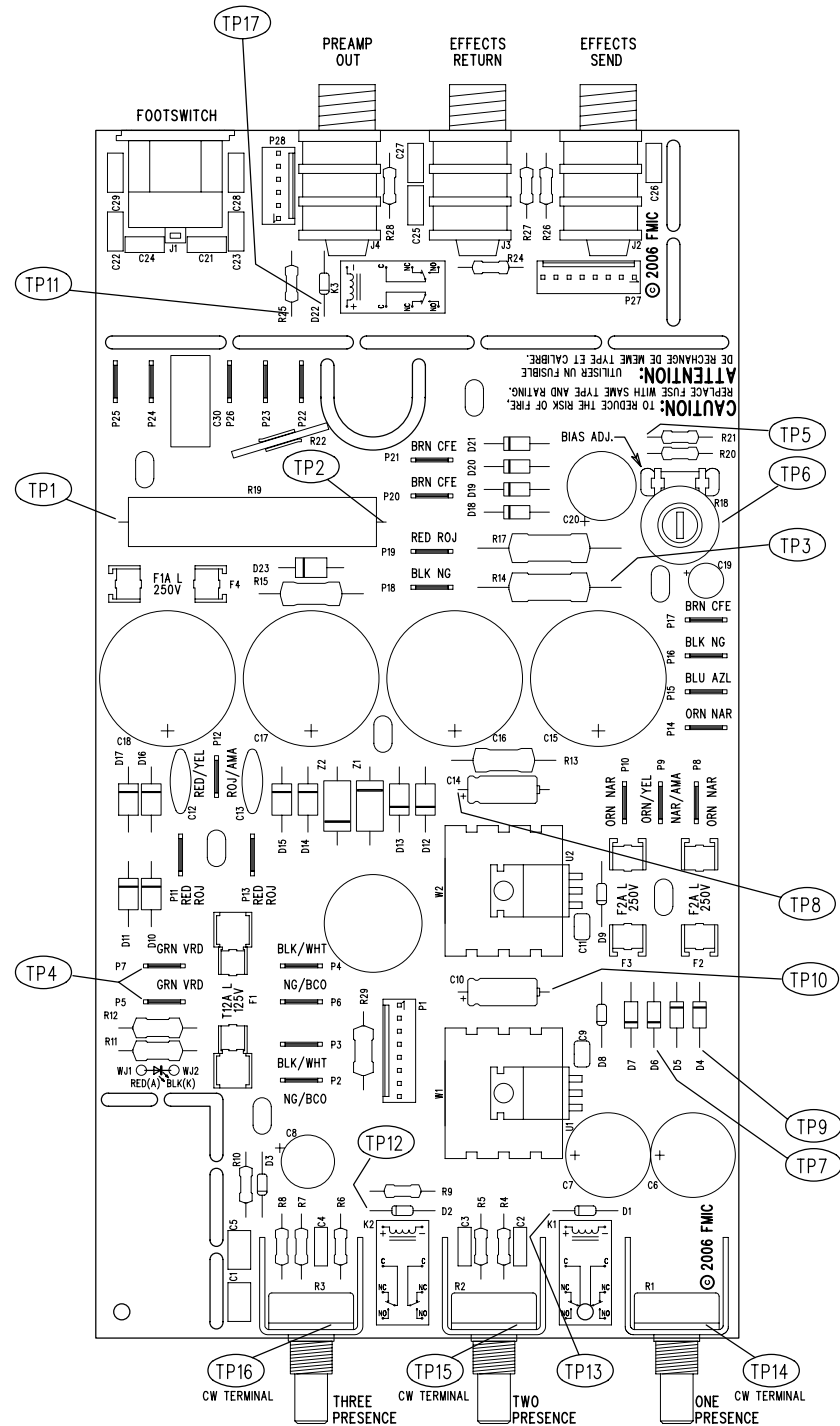
RELEASE DATE: 18-AUG-06 SHEET: 1 OF 2

8 7 6 5 4 3 2 1

REVISIONS			
REV.	DESCRIPTION	DATE	APPROVED
A	PR684	18-AUG-06	MCU
B	EC 3708	20-DEC-06	MCU

D
C
B
A

D
C
B
A



FILM/DWG: SERVICE DIAGRAM
 DATABASE: Z684P2.pcb DATE: 18-AUG-06

- 3. SEE SHEET 1 FOR NOTES AND TEST CONDITIONS.
- 2. WIRES NOT SHOWN FOR CLARITY.
- 1. PCB SHOWN BEFORE EFFECTS LOOP BREAKAWAY IS INSTALLED IN CHASSIS.

NOTES: (UNLESS OTHERWISE NOTED)

THIS DOCUMENT CONTAINS INFORMATION OF A PROPRIETARY NATURE TO FENDER MUSICAL INSTRUMENTS AND IS SUBMITTED TO YOU IN CONFIDENCE AND SHALL NOT BE DISCLOSED OR TRANSMITTED TO OTHERS WITHOUT AUTHORIZATION FROM FENDER MUSICAL INSTRUMENTS.		Fender MUSICAL INSTRUMENTS Corona, CA U.S.A.	
CHECKED BY: _____ DATE: _____		TITLE: SERVICE DIAGRAM, COMBINED (PCB assy) EVH 5150-III AMPLIFIER PWR SUPPLY	
APPROVED BY: _____ DATE: _____		SIZE C	DRAWING NUMBER 0070916000
DRAWN: M.ULRICH	ENGR: M.ULRICH	REV. B	
DATABASE FILE: Z684P2.pcb		RELEASE DATE: 18-AUG-06	SHEET 2 OF 2

8 7 6 5 4 3 2 1

8

7

6

5

4

3

2

1

REVISIONS			
REV.	DESCRIPTION	DATE	APPROVED
A	PR684	04-AUG-06	MCU
B	EC3914	25-SEP-07	MCU

D

D

C

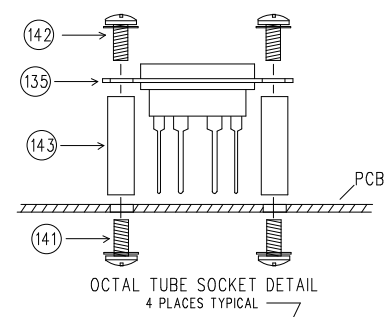
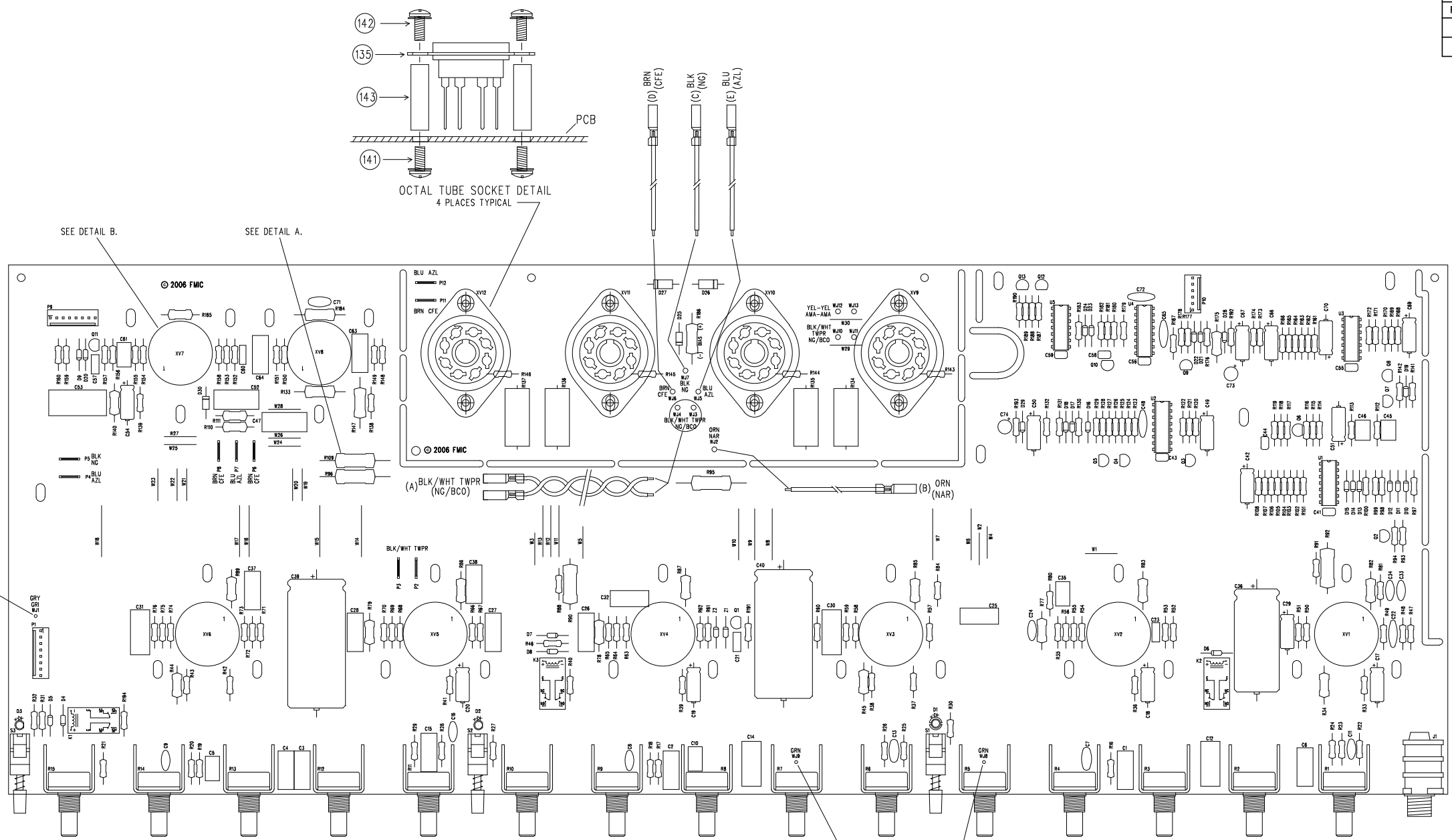
C

B

B

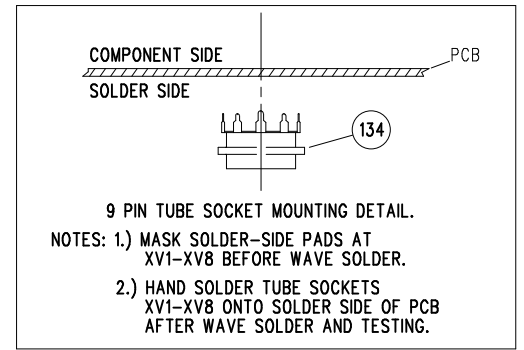
A

A

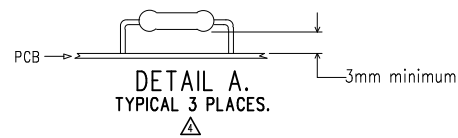


SEE DETAIL B.
SEE DETAIL A.

FILM/DWG: PCB ASSEMBLY DRAWING
DATABASE: Z684P1.pcb DATE: 04-AUG-06



DETAIL B.
TYPICAL 8 PLACES.



- DI D2 D3 INSTALLED AT CHASSIS ASSEMBLY LEVEL.
 - INSTANCES NOT USED: C62 C68
 - R95 R96 R109 MUST BE RAISED AT LEAST 3mm ABOVE THE PCB. SEE DETAIL A.
 - LETTERS IN BRACKETS () REFER TO PCB WIRESET ITEMS ON PCB WIRESET P/N 0070920000. NUMBERS IN CIRCLES REFER TO PCB ASSEMBLY BILL OF MATERIALS ITEM NUMBERS.
 - ADHERE C36 C39 C40, AND R134-137 (FEET ONLY) TO PCB WITH RTV SILICON RUBBER COMPOUND.
 - SEE A-SIZE SHEETS 2 THROUGH 5 FOR BOM.
- NOTES: (UNLESS OTHERWISE NOTED)

THIS DOCUMENT CONTAINS INFORMATION OF A PROPRIETARY NATURE. TO FENDER MUSICAL INSTRUMENTS AND IS SUBMITTED TO YOU IN CONFIDENCE AND SHALL NOT BE DISCLOSED OR TRANSMITTED TO OTHERS WITHOUT AUTHORIZATION FROM FENDER MUSICAL INSTRUMENTS.		MUSICAL INSTRUMENTS Corona, CA U.S.A.	
CHECKED BY:	DATE:	TITLE:	REV.
APPROVED BY:	DATE:	PCB ASSEMBLY, EVH 5150-III AMPLIFIER MAIN PCB	B
DRAWN: MULRICH	ENGR: MULRICH	SIZE: D	DRAWING NUMBER: 0070920000
DATABASE FILE: Z684P1.pcb	RELEASE DATE: 04-AUG-06	SHEET 1	OF 5

8

7

6

5

4

3

2

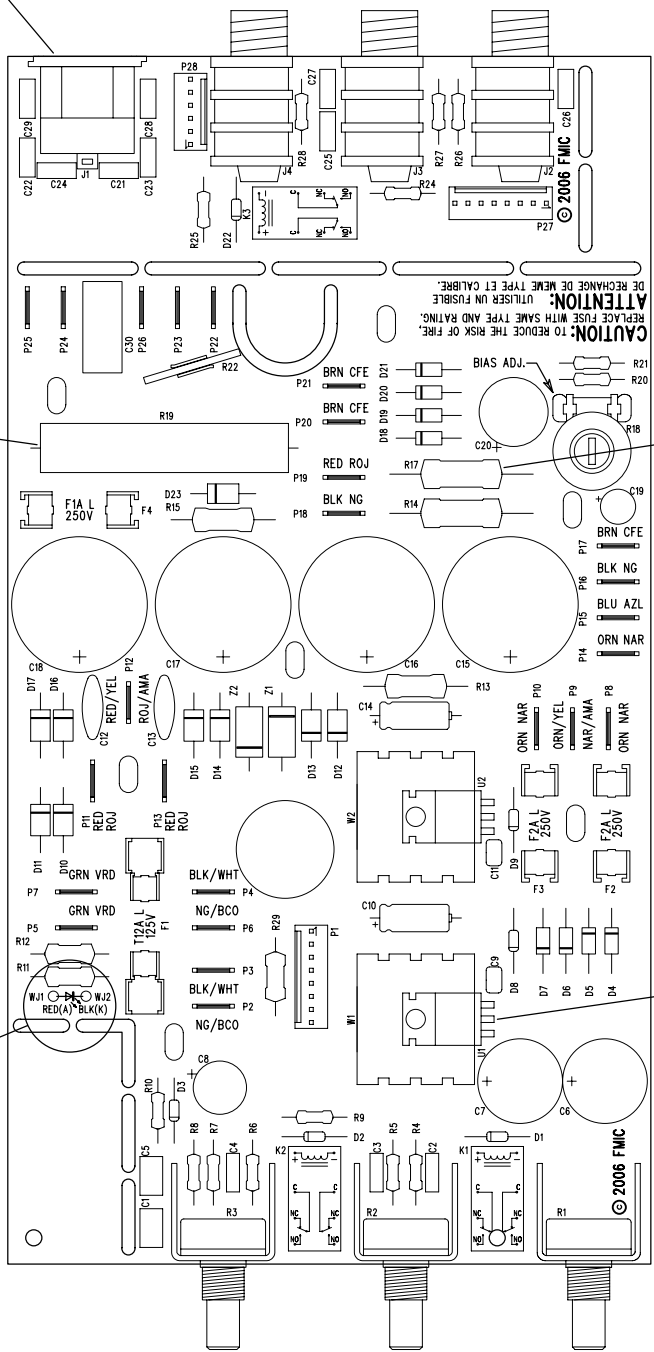
1

8 7 6 5 4 3 2 1

REVISIONS			
REV.	DESCRIPTION	DATE	APPROVED
A	PR684	18-AUG-06	MCU
B	EC 3708	20-DEC-06	MCU

D
C
B
A

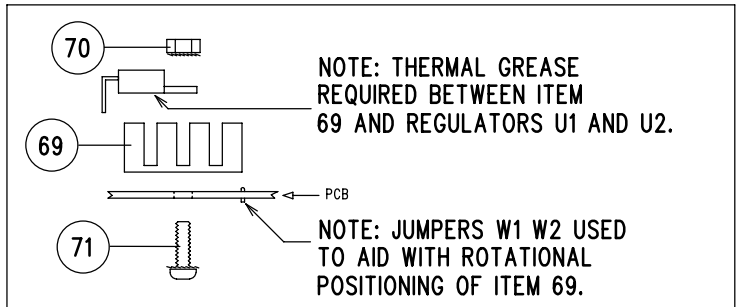
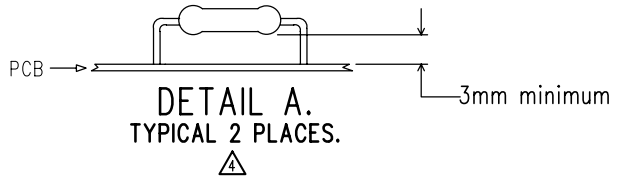
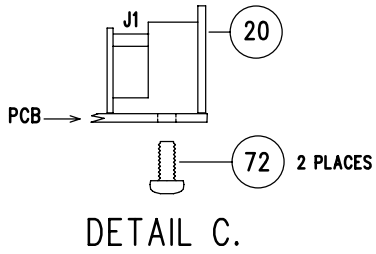
SEE DETAIL C.



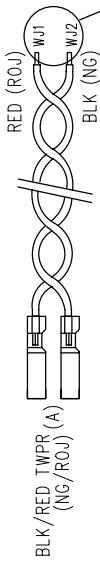
CAUTION: TO REDUCE THE RISK OF FIRE, REPLACE FUSE WITH SAME TYPE AND RATING. ATTENTION: UTILISER UN FUSIBLE DE RECHANGE DE MEME TYPE ET CALIBRE.

SEE DETAIL A. TYPICAL 2 PLACES.

SEE DETAIL B. TYPICAL 2 PLACES.



DETAIL B. TYPICAL 2 PLACES.



FILM/DWG: PCB ASSEMBLY DRAWING
DATABASE: Z684P2.pcb DATE: 18-AUG-06

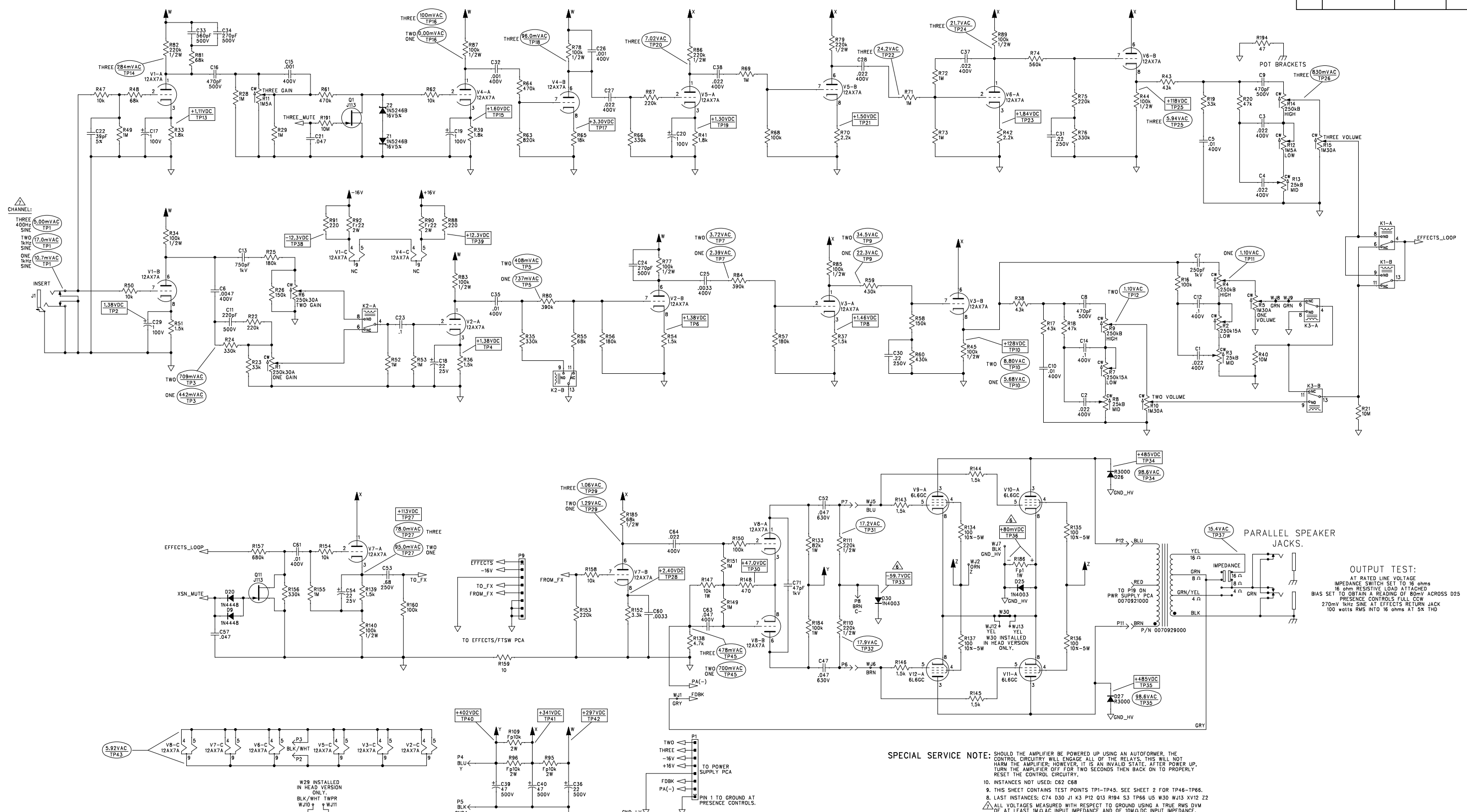
- 7. FINISHED ASSEMBLY SHALL COMPLY WITH EU DIRECTIVE 2002/95/EC (RoHS) MATERIALS AND PROCESS REQUIREMENTS.
- 6. INSTANCES NOT USED: R23
- ⚠ KEEP SLOT UNDER R19 FREE OF RTV SILICON RUBBER COMPOUND. APPLY RTV COMPOUND ONLY TO THE FEET AT THE ENDS OF R19.
- ⚠ R14 R17 MUST BE RAISED AT LEAST 3mm ABOVE THE PCB. SEE DETAIL A.
- 3. LETTERS IN BRACKETS () REFER TO PCB WIRESET ITEMS ON PCB WIRESET P/N 0072188000. NUMBERS IN CIRCLES REFER TO PCB ASSEMBLY BILL OF MATERIALS ITEM NUMBERS.
- 2. ADHERE C6 C7 C15 C16 C17 C18 R19 TO PCB WITH RTV SILICON RUBBER COMPOUND.
- 1. SEE A SIZE SHEETS 2 AND 3 FOR BILL OF MATERIALS.

NOTES: (UNLESS OTHERWISE NOTED)

THIS DOCUMENT CONTAINS INFORMATION OF A PROPRIETARY NATURE TO FENDER MUSICAL INSTRUMENTS AND IS SUBMITTED TO YOU IN CONFIDENCE AND SHALL NOT BE DISCLOSED OR TRANSMITTED TO OTHERS WITHOUT AUTHORIZATION FROM FENDER MUSICAL INSTRUMENTS.		<i>Fender</i> MUSICAL INSTRUMENTS Corona, CA U.S.A.	
CHECKED BY: _____ DATE: _____		TITLE: PCB ASSEMBLY, EVH 5150-III AMPLIFIER PWR SUPPLY	
APPROVED BY: _____ DATE: _____		SIZE: C	DRAWING NUMBER: 0070921000
DRAWN: M.ULRICH	ENGR: M.ULRICH	REV. B	
DATABASE FILE: Z684P2.pcb		RELEASE DATE: 18-AUG-06	SHEET 1 OF 3

8 7 6 5 4 3 2 1

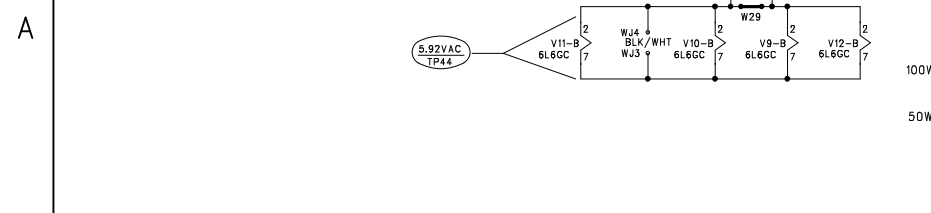
REVISIONS			
REV.	DESCRIPTION	DATE	APPROVED
A	PR684	04-AUG-06	MCU
B	EC3914		



OUTPUT TEST:
 AT RATED LINE VOLTAGE
 IMPEDANCE SWITCH SET TO 16 ohms
 16 ohm RESISTIVE LOAD ATTACHED
 TO OBTAIN A READING OF 80mV ACROSS D25
 PRESENCE CONTROLS FULL CCW
 270mV 1kHz SINE AT EFFECTS RETURN JACK
 100 watts RMS INTO 16 ohms AT 5% THD

SPECIAL SERVICE NOTE: SHOULD THE AMPLIFIER BE POWERED UP USING AN AUTOFORMER, THE CONTROL CIRCUITRY WILL ENGAGE ALL OF THE RELAYS. THIS WILL NOT HARM THE AMPLIFIER; HOWEVER, IT IS AN INVALID STATE. AFTER POWER UP, TURN THE AMPLIFIER OFF FOR TWO SECONDS THEN BACK ON TO PROPERLY RESET THE CONTROL CIRCUITRY.

10. INSTANCES NOT USED: C62 C68
 9. THIS SHEET CONTAINS TEST POINTS TP1-TP46. SEE SHEET 2 FOR TP46-TP66.
 8. LAST INSTANCES: C74 D30 J1 K3 P12 Q13 R194 S3 TP66 U5 W30 WJ13 XV12 Z2
 ALL VOLTAGES MEASURED WITH RESPECT TO GROUND USING A TRUE RMS DVM OF AT LEAST 10kVAC INPUT IMPEDANCE AND OF 10MΩ DC INPUT IMPEDANCE. VOLTAGES MAY VARY +/-20%. TEST CONDITIONS:
 UNIT OPERATING AT RATED LINE VOLTAGE.
 BIAS SET TO 20mA PER OUTPUT TUBE. SEE NOTE 6.
 ALL DC AND SUPPLY MEASUREMENTS MADE WITH NO SIGNAL.
 ALL CONTROLS AT 50% ROTATION EXCEPT AS NOTED BELOW.
 R6 TWO GAIN AND R11 THREE GAIN AT 20% ROTATION (9 O'CLOCK).
 APPLIED SIGNAL AS SPECIFIED AT TP1 TO TEST EACH CHANNEL.
 BIAS ADJUSTMENT - NO SIGNAL APPLIED, RATED LINE VOLTAGE AT POWER TRANSFORMER PRIMARY. UNIT ON AND WARMED UP FOR AT LEAST TWO MINUTES. SET BIAS ADJUSTMENT R18 ON POWER SUPPLY PCA 0070921000 TO OBTAIN A READING OF +80mV AT TP36. VOLTAGE SHOWN AT TP33 IS FOR REFERENCE ONLY AND WILL VARY FROM UNIT TO UNIT.



NOTE: OUTPUT POWER SWITCH INSTALLED IN COMBO VERSION ONLY.

NOTES: (UNLESS OTHERWISE NOTED)

THIS DOCUMENT CONTAINS INFORMATION OF A PROPRIETARY NATURE TO FENDER MUSICAL INSTRUMENTS AND IS SUBMITTED TO YOU IN CONFIDENCE AND SHALL NOT BE DISCLOSED OR TRANSMITTED TO OTHERS WITHOUT AUTHORIZATION FROM FENDER MUSICAL INSTRUMENTS.

Fender MUSICAL INSTRUMENTS
 Corona, CA U.S.A.

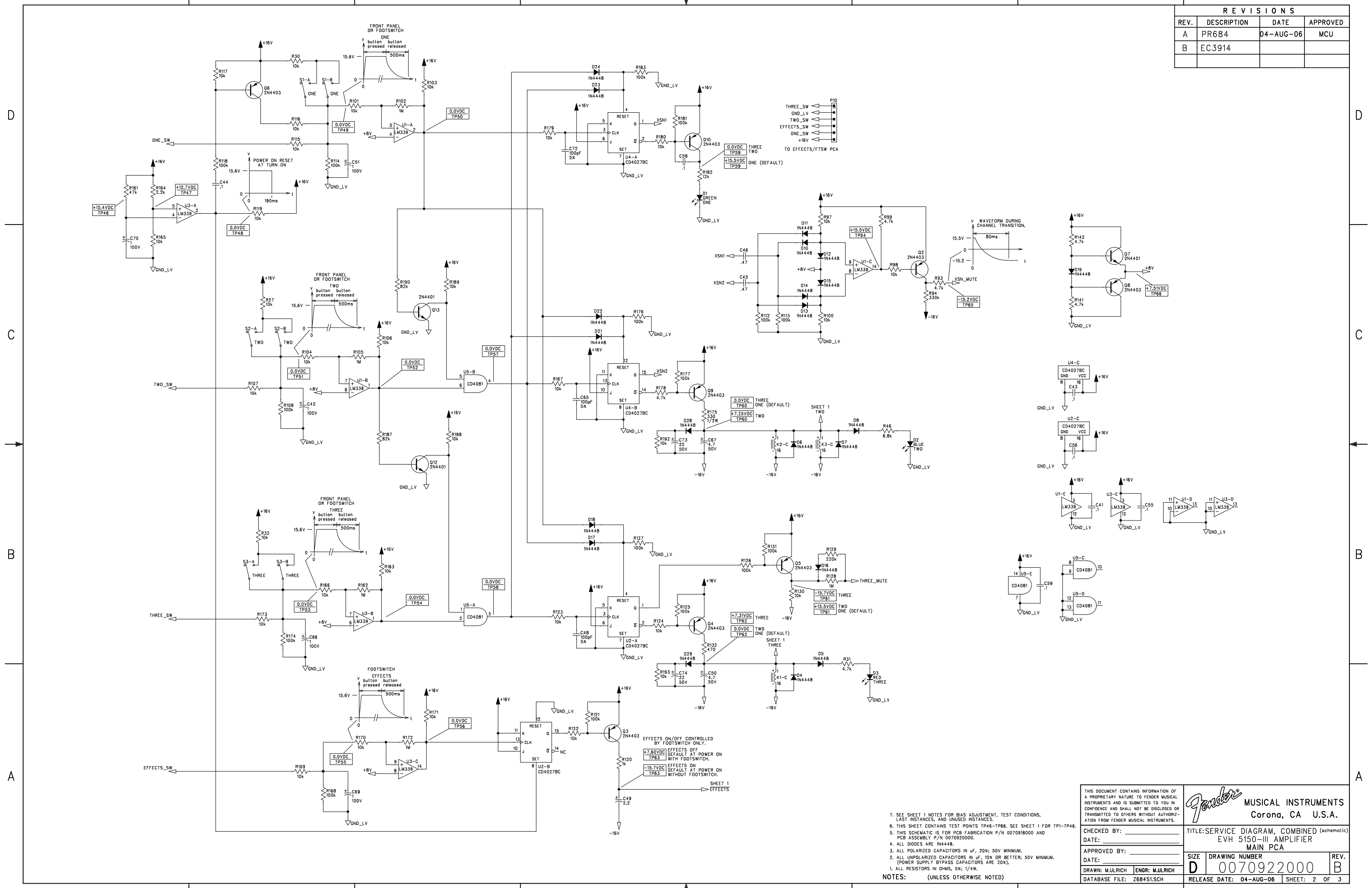
TITLE: SERVICE DIAGRAM, COMBINED (schematic)
 EVH 5150-III AMPLIFIER
 MAIN PCA

CHECKED BY: _____
 DATE: _____
 APPROVED BY: _____
 DATE: _____
 DATABASE FILE: Z684S1.SCH

SIZE: **D**
 DRAWING NUMBER: 0070922000
 REV. **B**

RELEASE DATE: 04-AUG-06
 SHEET: 1 OF 3

REVISIONS			
REV.	DESCRIPTION	DATE	APPROVED
A	PR684	04-AUG-06	MCU
B	EC3914		



THIS DOCUMENT CONTAINS INFORMATION OF A PROPRIETARY NATURE TO FENDER MUSICAL INSTRUMENTS AND IS SUBMITTED TO YOU IN CONFERENCE AND SHALL NOT BE DISCLOSED OR TRANSMITTED TO OTHERS WITHOUT AUTHORIZATION FROM FENDER MUSICAL INSTRUMENTS.

Fender MUSICAL INSTRUMENTS
Corona, CA U.S.A.

TITLE: SERVICE DIAGRAM, COMBINED (schematic)
EVH 5150-III AMPLIFIER
MAIN PCA

CHECKED BY: _____ DATE: _____
APPROVED BY: _____ DATE: _____
DRAWN: M.LURICH ENGR: M.LURICH DATABASE FILE: Z684S1.SCH

SIZE: **D** DRAWING NUMBER: 0070922000 REV. **B**
RELEASE DATE: 04-AUG-06 SHEET: 2 OF 3

- SEE SHEET 1 NOTES FOR BIAS ADJUSTMENT, TEST CONDITIONS, LAST INSTANCES, AND UNUSED INSTANCES.
 - THIS SHEET CONTAINS TEST POINTS TP46-TP66. SEE SHEET 1 FOR TP1-TP45.
 - THIS SCHEMATIC IS FOR PCB FABRICATION P/N 0070918000 AND PCB ASSEMBLY P/N 0070920000.
 - ALL DIODES ARE 1N4448.
 - ALL POLARIZED CAPACITORS IN μ F, 20%: 50V MINIMUM.
 - ALL UNPOLARIZED CAPACITORS IN μ F, 10% OR BETTER; 50V MINIMUM. (POWER SUPPLY BYPASS CAPACITORS ARE 20%).
 - ALL RESISTORS IN OHMS, 5%: 1/4W.
- NOTES: (UNLESS OTHERWISE NOTED)

8

7

6

5

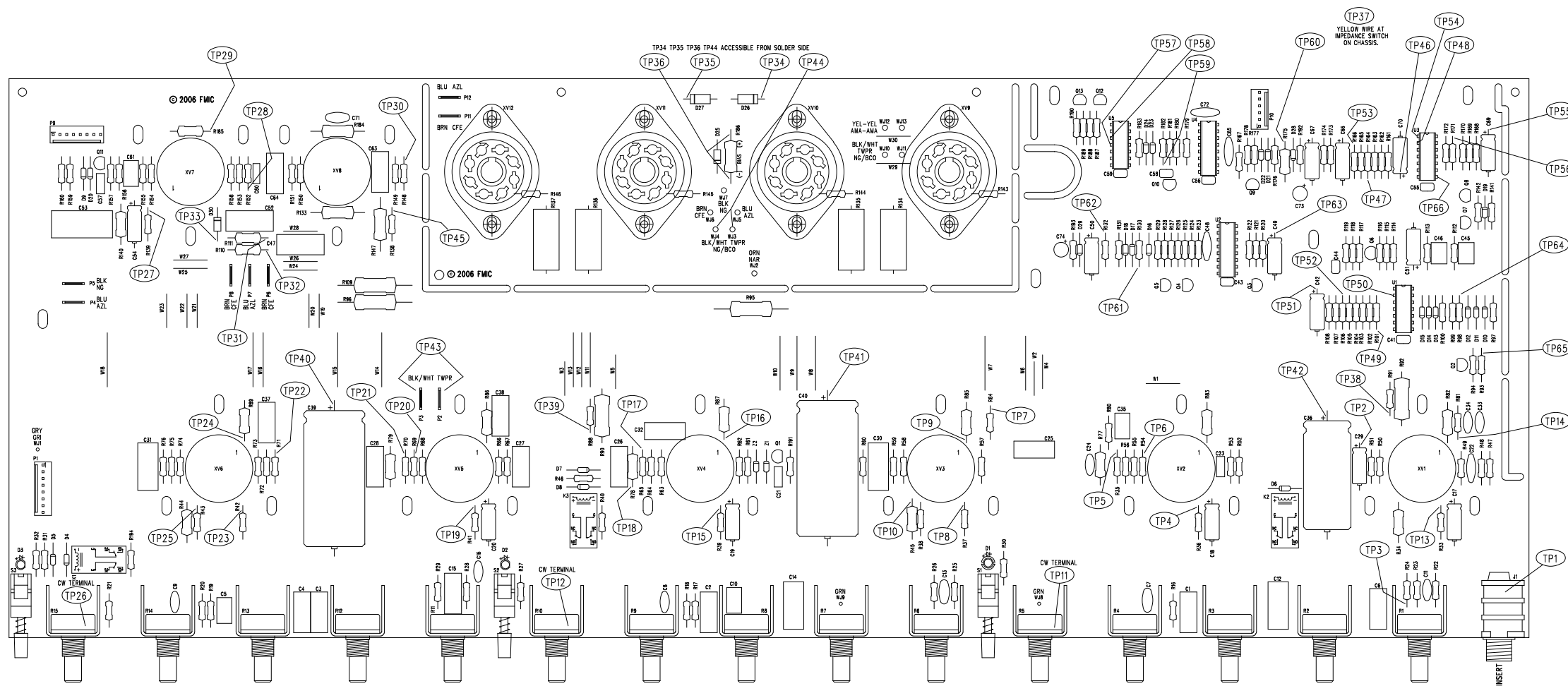
4

3

2

1

REVISIONS			
REV.	DESCRIPTION	DATE	APPROVED
A	PR684	04-AUG-06	MCU
B	EC3914	25-SEP-07	MCU



FILM/DWG: SERVICE DIAGRAM
 DATABASE: Z684P1.pcb DATE: 04-AUG-06

- 3. SEE PAGE 1 FOR NOTES AND TEST CONDITIONS.
 - 2. WIRES NOT SHOWN FOR CLARITY.
 - 1. PCB SHOWN BEFORE OUTPUT TUBE BREAKAWAY IS INSTALLED IN CHASSIS.
- NOTES: (UNLESS OTHERWISE NOTED)

<small>THIS DOCUMENT CONTAINS INFORMATION OF A PROPRIETARY NATURE TO FENDER MUSICAL INSTRUMENTS AND IS SUBMITTED TO YOU IN CONFIDENCE AND SHALL NOT BE DISCLOSED OR TRANSMITTED TO OTHERS WITHOUT AUTHORIZATION FROM FENDER MUSICAL INSTRUMENTS.</small>			
		MUSICAL INSTRUMENTS Corona, CA U.S.A.	
CHECKED BY: _____ DATE: _____		TITLE: SERVICE DIAGRAM, COMBINED (PCB assy) EVH 5150-III AMPLIFIER MAIN PCB	
APPROVED BY: _____ DATE: _____		SIZE: D	DRAWING NUMBER: 0070922000
DRAWN: M.L.RICH	ENGR: M.L.RICH	RELEASE DATE: 04-AUG-06	SHEET 3 OF 3
DATABASE FILE: Z684P1.pcb			

D

D

C

C

B

B

A

A

8

7

6

5

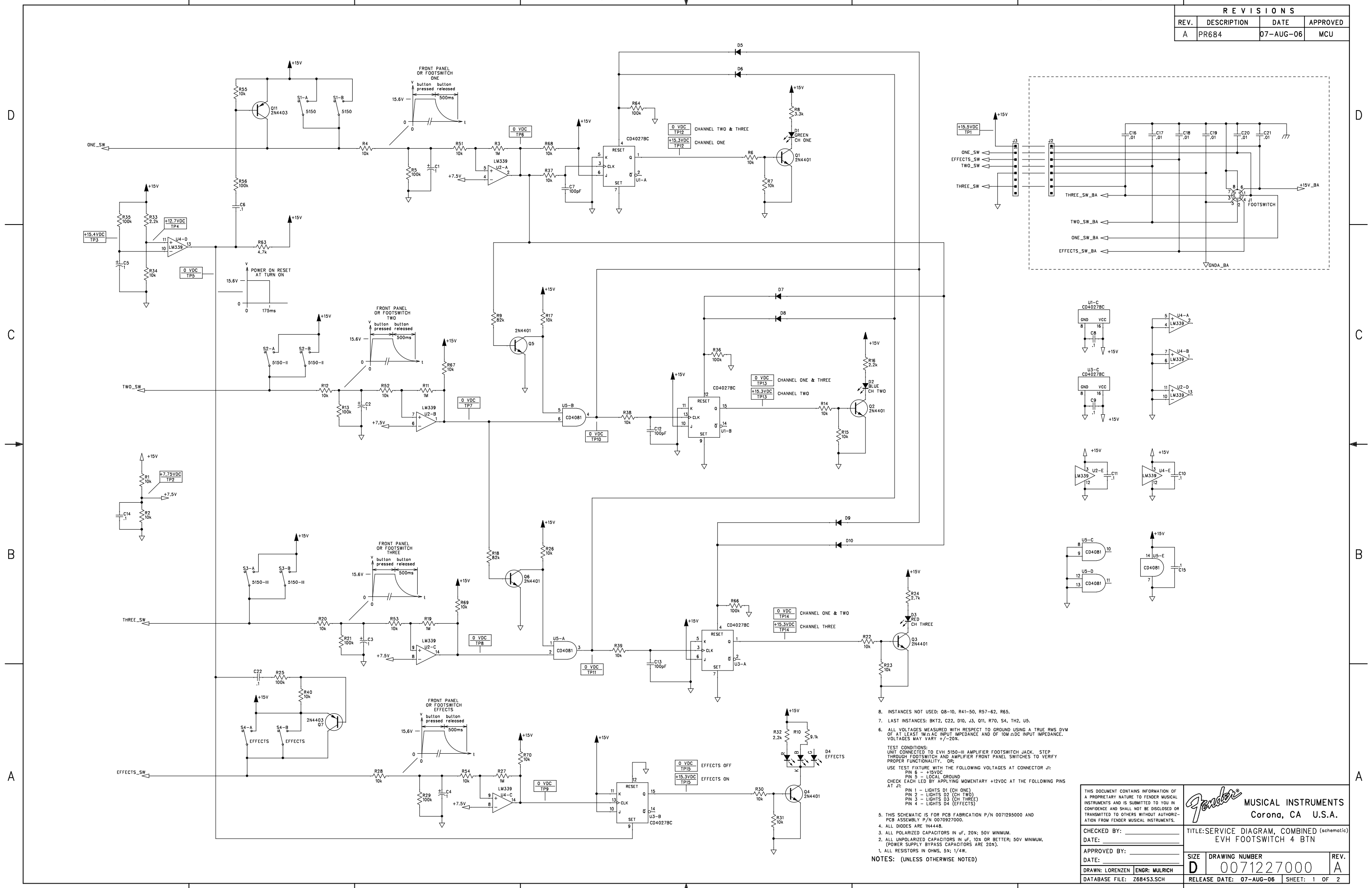
4

3

2

1

REVISIONS			
REV.	DESCRIPTION	DATE	APPROVED
A	PR684	07-AUG-06	MCU



8. INSTANCES NOT USED: 08-10, R41-50, R57-62, R65.
7. LAST INSTANCES: BKT2, C22, D10, J3, Q11, R70, S4, TH2, U5.
6. ALL VOLTAGES MEASURED WITH RESPECT TO GROUND USING A TRUE RMS DVM OF AT LEAST 1MΩ AC INPUT IMPEDANCE AND OF 10MΩ DC INPUT IMPEDANCE. VOLTAGES MAY VARY +/-20%.
TEST CONDITIONS:
UNIT CONNECTED TO EVH 5150-III AMPLIFIER FOOTSWITCH JACK. STEP THROUGH FOOTSWITCH AND AMPLIFIER FRONT PANEL SWITCHES TO VERIFY PROPER FUNCTIONALITY. OR:
USE TEST FIXTURE WITH THE FOLLOWING VOLTAGES AT CONNECTOR J1:
PIN 6 - +15VDC
PIN 5 - LOCAL GROUND
CHECK EACH LED BY APPLYING MOMENTARY +12VDC AT THE FOLLOWING PINS AT J1:
PIN 1 - LIGHTS D1 (CH ONE)
PIN 2 - LIGHTS D2 (CH TWO)
PIN 3 - LIGHTS D3 (CH THREE)
PIN 4 - LIGHTS D4 (EFFECTS)
5. THIS SCHEMATIC IS FOR PCB FABRICATION P/N 0071295000 AND PCB ASSEMBLY P/N 0070927000.
4. ALL DIODES ARE 1N4448.
3. ALL POLARIZED CAPACITORS IN μF, 20%; 50V MINIMUM.
2. ALL UNPOLARIZED CAPACITORS IN μF, 10% OR BETTER; 50V MINIMUM. (POWER SUPPLY BYPASS CAPACITORS ARE 20%).
1. ALL RESISTORS IN OHMS, 5%; 1/4W.
NOTES: (UNLESS OTHERWISE NOTED)

THIS DOCUMENT CONTAINS INFORMATION OF A PROPRIETARY NATURE TO FENDER MUSICAL INSTRUMENTS AND IS SUBMITTED TO YOU IN CONFERENCE AND SHALL NOT BE DISCLOSED OR TRANSMITTED TO OTHERS WITHOUT AUTHORIZATION FROM FENDER MUSICAL INSTRUMENTS.

Fender MUSICAL INSTRUMENTS
Corona, CA U.S.A.

TITLE: SERVICE DIAGRAM, COMBINED (schematic)
EVH FOOTSWITCH 4 BTN

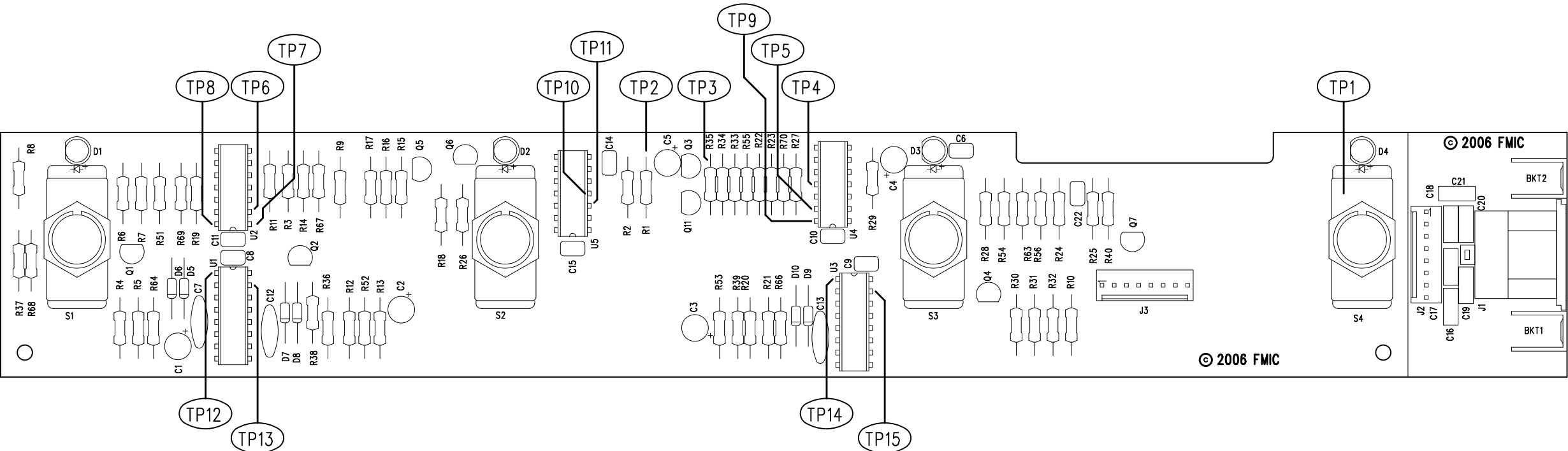
CHECKED BY: _____
DATE: _____

APPROVED BY: _____
DATE: _____

DRAWN: LORENZEN ENGR: MULRICH
DATABASE FILE: Z684S3.SCH

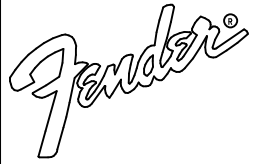
SIZE: **D** DRAWING NUMBER: 0071227000 REV. A
RELEASE DATE: 07-AUG-06 SHEET: 1 OF 2

REVISIONS			
REV.	DESCRIPTION	DATE	APPROVED
A	PR684	08-AUG-06	MCU

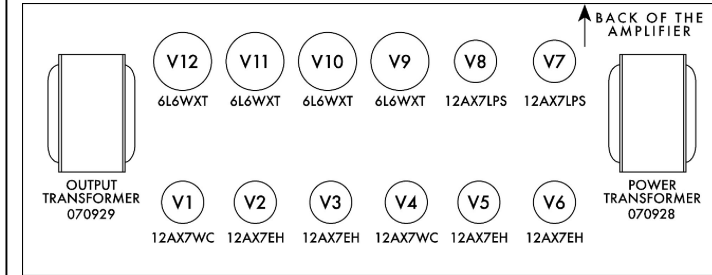


FILM/DWG:	SERVICE DIAGRAM
DATABASE:	Z684P3.PCB DATE: 07-AUG-06

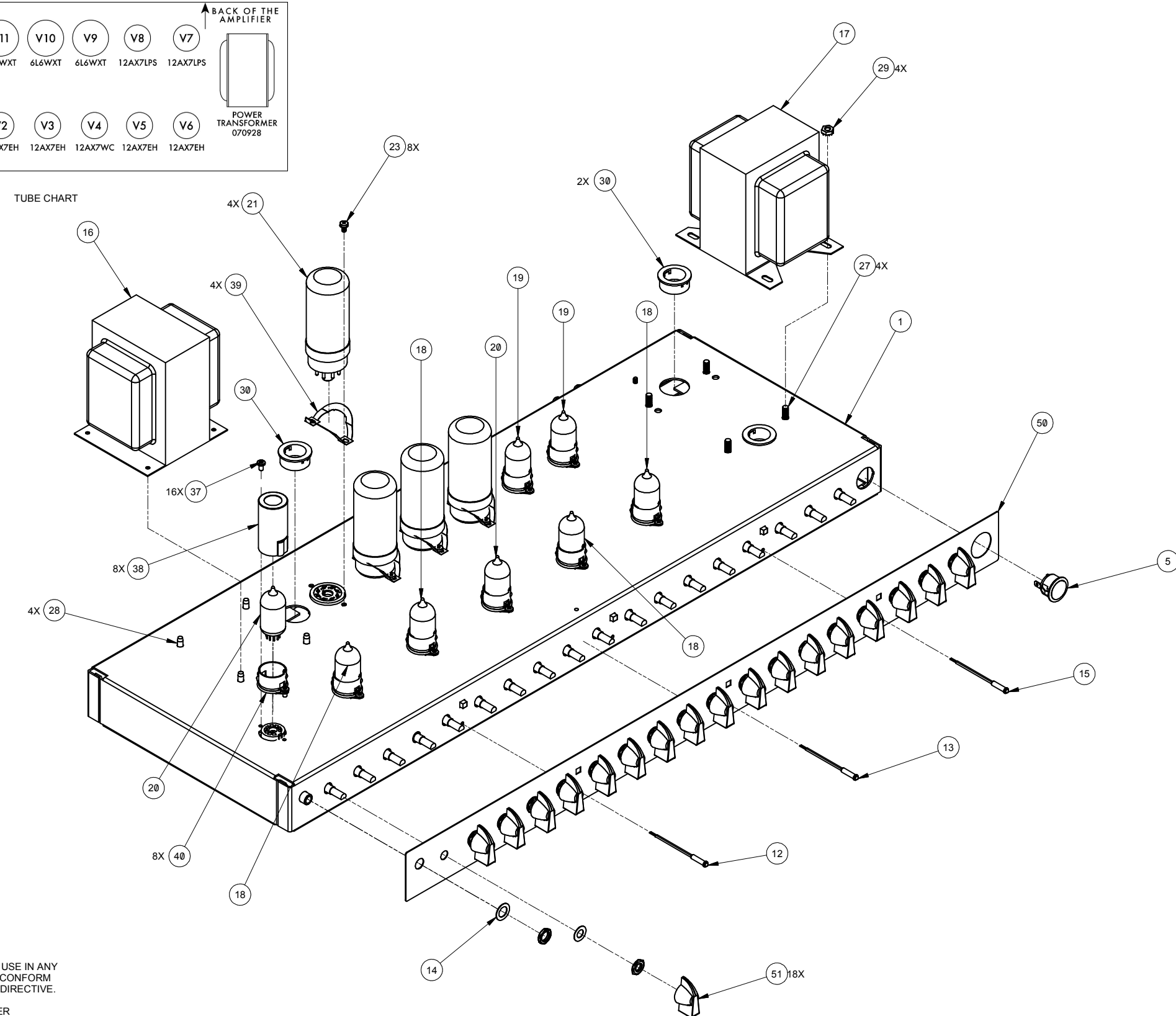
1. SEE SHEET 1 FOR NOTES AND TEST CONDITIONS.
 NOTES: (UNLESS OTHERWISE NOTED)

THIS DOCUMENT CONTAINS INFORMATION OF A PROPRIETARY NATURE TO FENDER MUSICAL INSTRUMENTS AND IS SUBMITTED TO YOU IN CONFIDENCE AND SHALL NOT BE DISCLOSED OR TRANSMITTED TO OTHERS WITHOUT AUTHORIZATION FROM FENDER MUSICAL INSTRUMENTS.		 MUSICAL INSTRUMENTS Corona, CA U.S.A.	
CHECKED BY: _____ DATE: _____		TITLE: SERVICE DIAGRAM, COMBINED (PCB assy) EVH FOOTSWITCH 4 BTN	
APPROVED BY: _____ DATE: _____		SIZE B	DRAWING NUMBER 0071227000
DRAWN: CORBIN ENGR: M. ULRICH		REV. A	RELEASE DATE: 08-AUG-06
DATABASE FILE: Z684P3.PCB		SHEET 2 OF 2	REV. A

THIS DOCUMENT CONTAINS INFORMATION OF A PROPRIETARY NATURE TO FENDER MUSICAL INSTRUMENTS AND IS SUBMITTED TO YOU IN CONFIDENCE AND SHALL NOT BE DISCLOSED OR TRANSMITTED TO OTHERS WITHOUT AUTHORIZATION FROM FENDER MUSICAL INSTRUMENTS CORP.



TUBE CHART



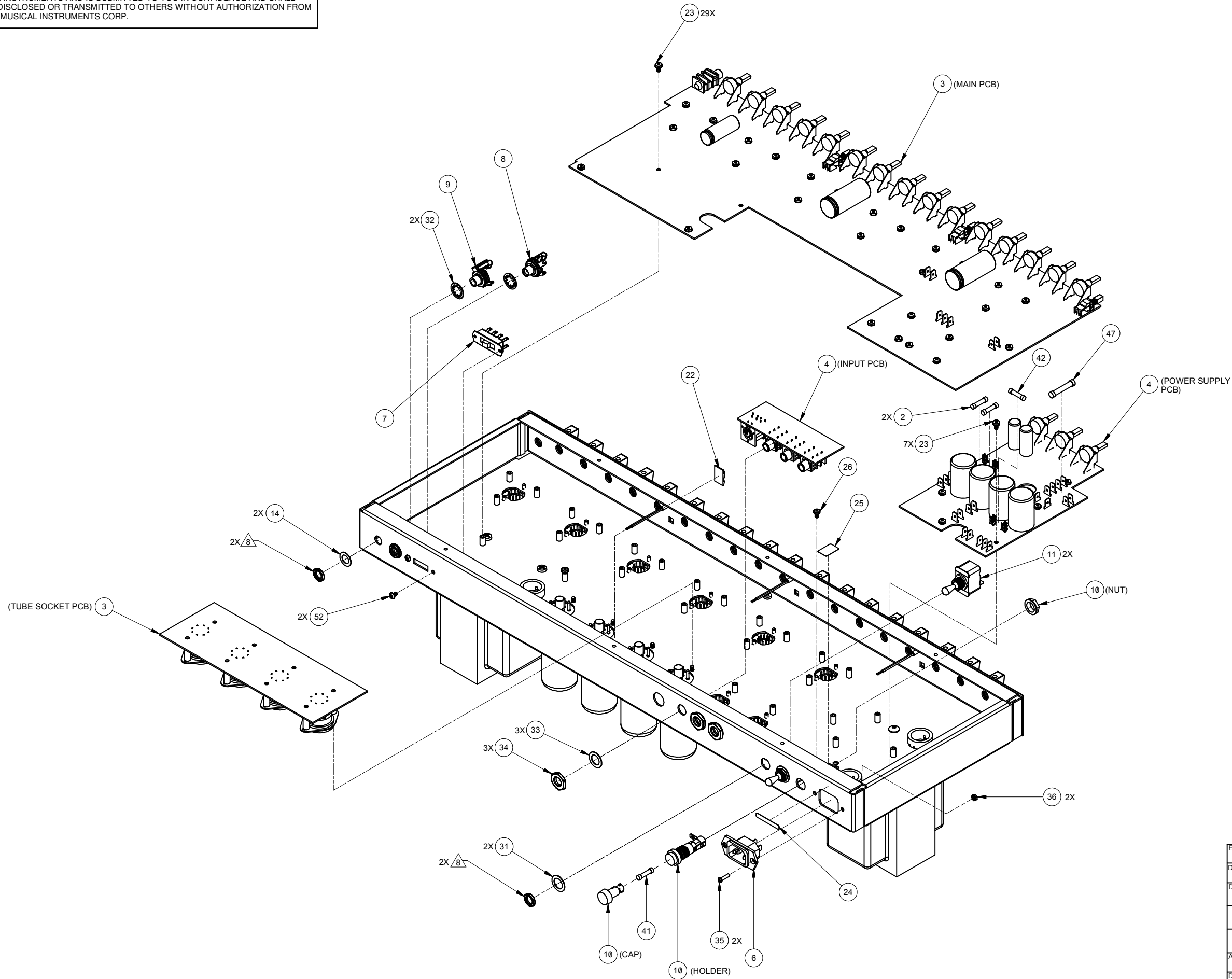
SERVICE MANUAL DOCUMENT
1/18/2007

ITEM	QTY	DESCRIPTION
52	2	SCRW M 6-32 X 3/16 M PHP NI
51	18	KNOB POINTED OFF-WHITE
50	1	PANEL FRONT EVH HEAD
47	1	FUSE TD 1-1/4x1/4 250V 12A
42	1	FUSE QA 20mmX5mm 250V 048381
41	1	FUSE
40	8	COLLAR TUBE SHIELD 9PIN
39	4	TUBE RING UNIVERSAL (277H-2)
38	8	TUBE SHIELD (099-0723-000)
37	16	SCRW TF 6-32X1/4 PHP ZI
36	2	NUT HEX 4-40 EX LOCK
35	2	SCRW M 4-40x1/2 PHP BLX
34	3	NUT HEX 7/16 20X1/8 NI
33	3	WASHER FLAT .442 X.692 NI
32	2	WSHR LCK INTL 3/8x.687x.065 NI
31	2	WASHER FLAT .482x.709 NI
30	3	BUSHING SNAP 1x29/64 BLK
29	4	NUT KEPS 10-32 ZINC
28	4	SCRW TF 10-32x3-8 PHP ZI
27	4	SCRW M 10-32x1/2 PHP BLX
26	1	SCRW TF 6-32x1/4 PHP BLX
25	1	LABEL GROUNDING SEMKO
24	1	LABEL VOLTAGE
23	44	SCRW M 6-32x1/4 PHP BLX ITLW
22	1	CLAMP CABLE NYL ADHESIVE
21	4	TUBE 6L6WXT w/o SCREEN
20	2	TUBE 7025/12AX7WC (RUSSIAN) w/o SCREEN
19	2	TUBE 12AX7LPS w/o SCREEN
18	4	TUBE 12AX7EH w/o SCREEN
17	1	XFMR PWR
16	1	XFMR OUTPUT EVH
15	1	LED 3mm T-1 TYPE DIFFUSED HI EFF RED
14	3	WSHR FLAT 3/8x.614 NI (049)
13	1	LED 3mm T-1 TYPE DIFFUSED HI EFF BLU
12	1	LED 3mm T-1 TYPE DIFFUSED HI EFF GRN
11	2	SWITCH TOGGLE DPST W/NUTS
10	1	FUSE HOLDER
9	1	JACK PHONE TRANSFER 13A
8	1	JACK PHONE TIP SHUNT 12A
7	1	SWITCH SLIDE DPTT
6	1	CONNECTOR AC LINE MALE IEC
5	1	PILOT LIGHT RED EVH
4	1	PCB ASSY POWER SUPPLY EVH
3	1	PCB ASSY MAIN EVH
2	2	FUSE 20MMX5MM F2A 250V
1	1	CHASSIS EVH HEAD


5. ANY PART SUPPLIED FOR USE IN ANY FENDER PRODUCT MUST CONFORM TO THE EUROPEAN RoHS DIRECTIVE.
 4. COPYRIGHT -2007- FENDER MUSICAL INSTRUMENTS CORP.
 3. -3- SAMPLES OF FIRST PARTS MUST BE APPROVED BY FENDER R&D BEFORE STARTING PRODUCTION.
 2. ALL DIMENSIONS ARE IN INCHES.
 1. DO NOT SCALE DRAWING.
- NOTES: UNLESS OTHERWISE NOTED

ENGINEER M. ULRICH			
DRAWN R. BARR			
DATE 6/1/2006		FENDER MUSICAL INSTRUMENTS CORP. CORONA CALIFORNIA U.S.A.	
DFT.	ENG.	ENG.	TITLE CHASSIS ASSEMBLY EVH HEAD
DATE	DATE	DATE	SHEET 1of2
APPROVED		SIZE D	DRAWING NUMBER 0070903000
DATE		SCALE NONE	REV B

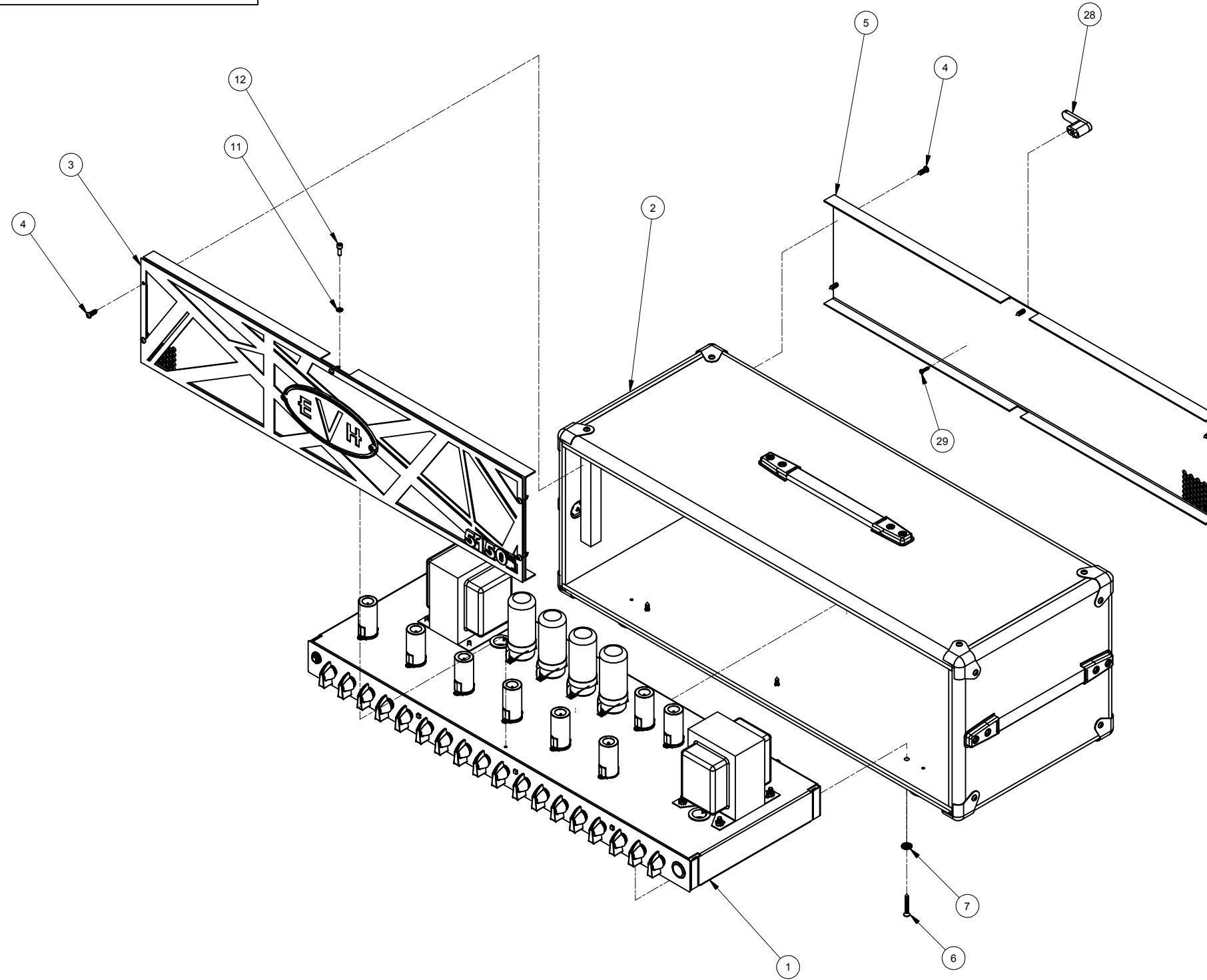
THIS DOCUMENT CONTAINS INFORMATION OF A PROPRIETARY NATURE TO FENDER MUSICAL INSTRUMENTS AND IS SUBMITTED TO YOU IN CONFIDENCE AND SHALL NOT BE DISCLOSED OR TRANSMITTED TO OTHERS WITHOUT AUTHORIZATION FROM FENDER MUSICAL INSTRUMENTS CORP.



SERVICE MANUAL DOCUMENT
1/18/2007


ENGINEER M. ULRICH				FENDER MUSICAL INSTRUMENTS CORP. CORONA CALIFORNIA U.S.A.	
DRAWN R. BARR				TITLE CHASSIS ASSEMBLY EVH HEAD	
DATE 6/1/2006		DFT.	ENG.	ENG.	DATE
APPROVED		SHEET 2of2	SIZE D	DRAWING NUMBER 0070903000	REV B
DATE		SCALE NONE		MASTER/ASSEMBLY	

THIS DOCUMENT CONTAINS INFORMATION OF A PROPRIETARY NATURE TO FENDER MUSICAL INSTRUMENTS AND IS SUBMITTED TO YOU IN CONFIDENCE AND SHALL NOT BE DISCLOSED OR TRANSMITTED TO OTHERS WITHOUT AUTHORIZATION FROM FENDER MUSICAL INSTRUMENTS CORP.



SERVICE MANUAL DOCUMENT
1/18/2007

ITEM	QTY	DESCRIPTION
29	2	SCRW TC25 6x1/2 PHP ZI
28	2	CORD WRAP STYLE 2
12	1	SCRW 8-32X3/8 SHCS B/OX
11	1	WSHR LCK INTL 8x.330x.02
7	6	WSHR FNSH 8-5/8 FLNGD BLXWX
6	6	SCRW M8-32 X 1 3/16 OHP BLX
5	1	GRILLE, EVH HEAD
4	10	SCRW SMA 8x5/8 THP BLACK
3	1	GRILLE ASSEMBLY EVH HEAD
2	1	CABINET ASSEMBLY EVH HEAD
1	1	CHASSIS ASSEMBLY EVH HEAD

ENGINEER		 FENDER MUSICAL INSTRUMENTS CORP. CORONA CALIFORNIA U.S.A.		TITLE END ITEM ASSEMBLY EVH IVORY	
DRAWN					
DATE 6/8/2006					
DFT.	ENG.	ENG.	DATE		
DATE	DATE	DATE	DATE		
APPROVED		SHEET 1 of 1	SIZE D	DRAWING NUMBER 2251000400	REV B
DATE		SCALE NONE	MASTER/ASSEMBLY		

7

6

5

4

3

2

1

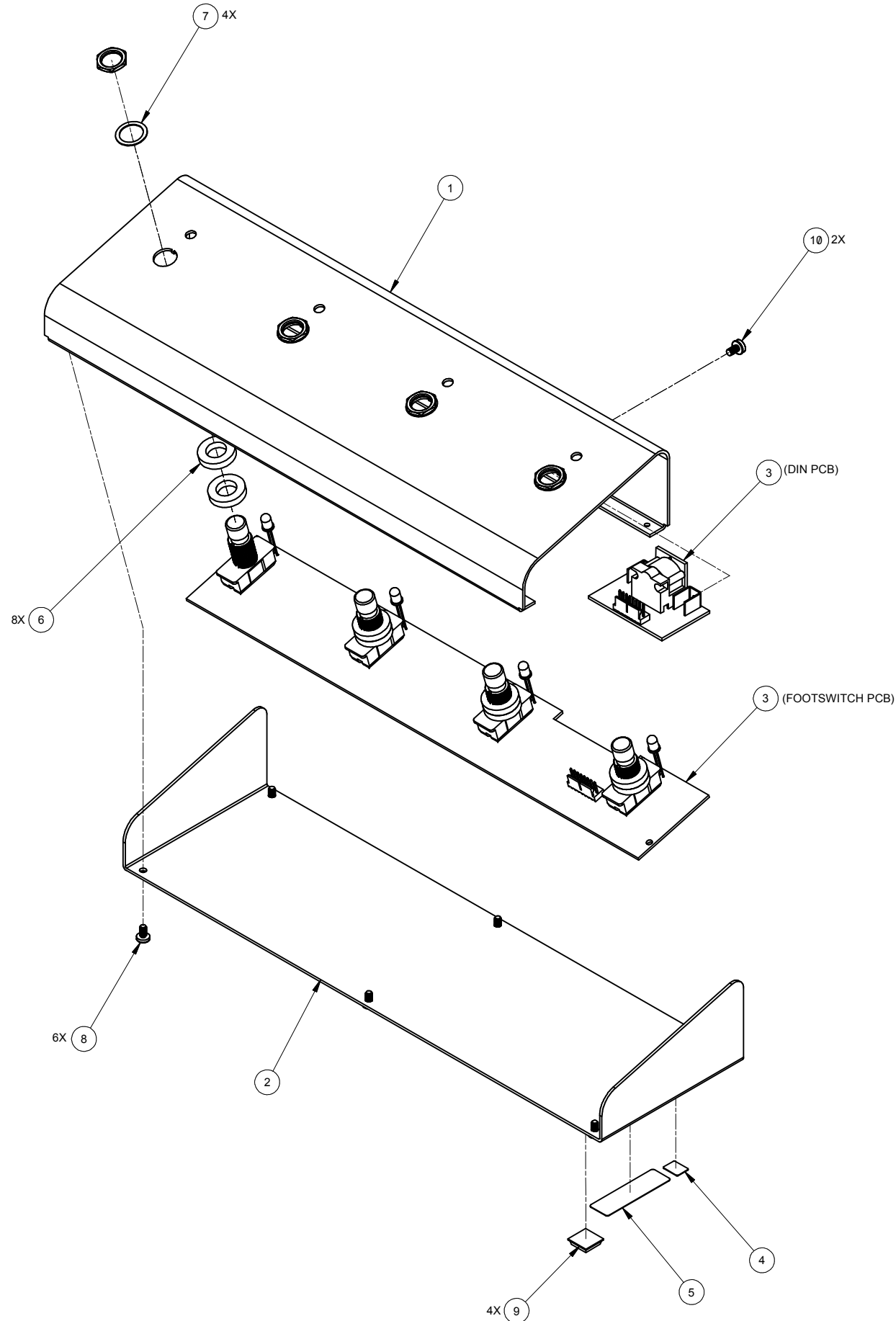
D

C

B


A

THIS DOCUMENT CONTAINS INFORMATION OF A PROPRIETARY NATURE TO FENDER MUSICAL INSTRUMENTS AND IS SUBMITTED TO YOU IN CONFIDENCE AND SHALL NOT BE DISCLOSED OR TRANSMITTED TO OTHERS WITHOUT AUTHORIZATION FROM FENDER MUSICAL INSTRUMENTS CORP.



SERVICE MANUAL DOCUMENT
1/18/2007

ITEM	QTY	DESCRIPTION
11	1	CABLE RIBBON ASSY 8 CKT 6" (N.S.)
10	2	SCRW M 6-32x1/4 PHP BLX ITLW
9	4	PAD STANDOFF RUBBER SMALL (BLACK)
8	6	SCRW TF 6-32x1/4 PHP BLK
7	4	WSHR FLAT .477x.625 NI
6	8	WSHR NYL .485x.775x.150 TK
5	1	LABEL F/S 4 BTN EVH
4	1	LABEL WEEE SYMBOL
3	1	PCB ASSY FTSW 4 BTN EVH
2	1	BASE FOOTSWITCH 4 BTN
1	1	HOUSING FOOTSWITCH 4 BTN EVH

ENGINEER				FENDER MUSICAL INSTRUMENTS CORP. CORONA CALIFORNIA U.S.A.	
DRAWN					
DATE 6/23/2006		TITLE FOOTSWITCH ASSEMBLY 4 BTN EVH			
DFT.	ENG.	ENG.			
DATE	DATE	DATE			
APPROVED		SHEET 1 of 1	SIZE D	DRAWING NUMBER 0070926000	REV B
DATE		SCALE NONE	ASSEMBLY		

7

6

5

4

3

2

1

D

C

B

A