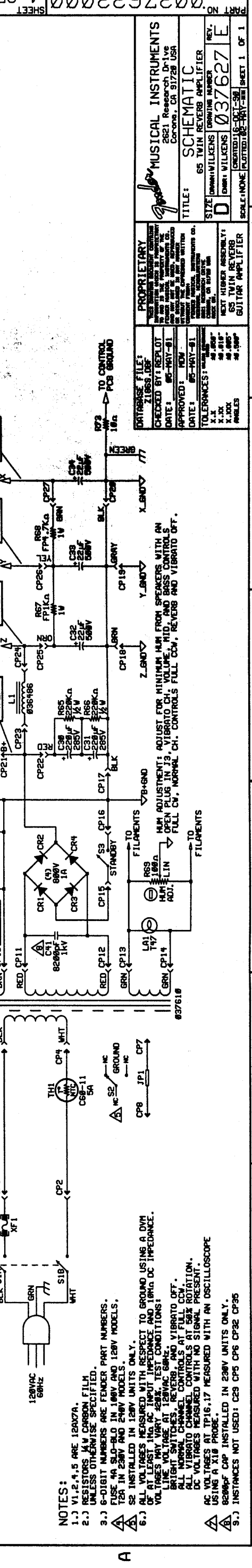
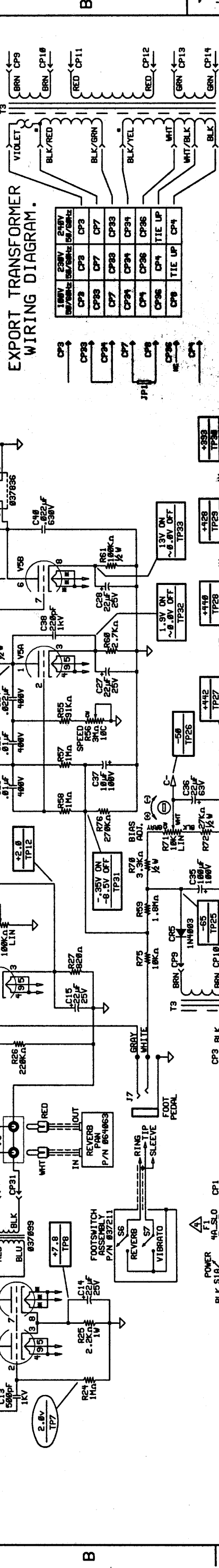
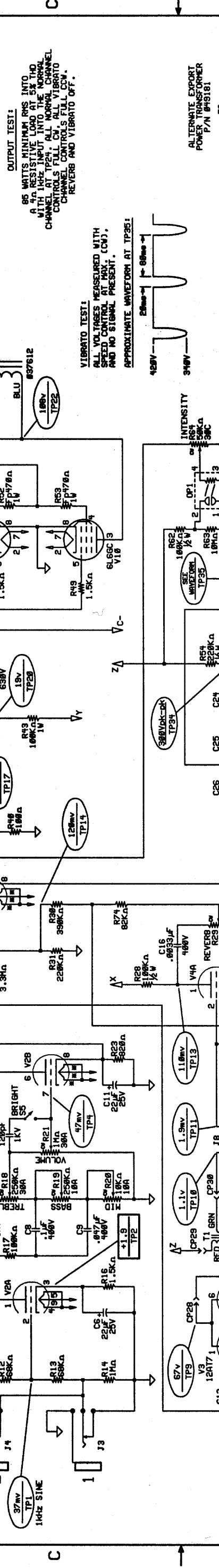
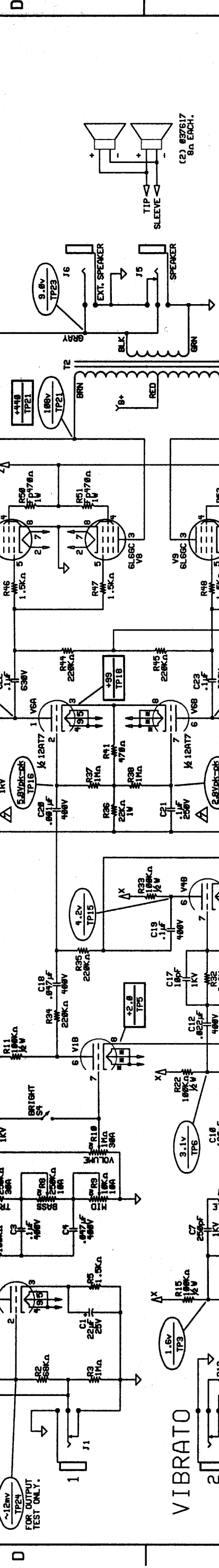
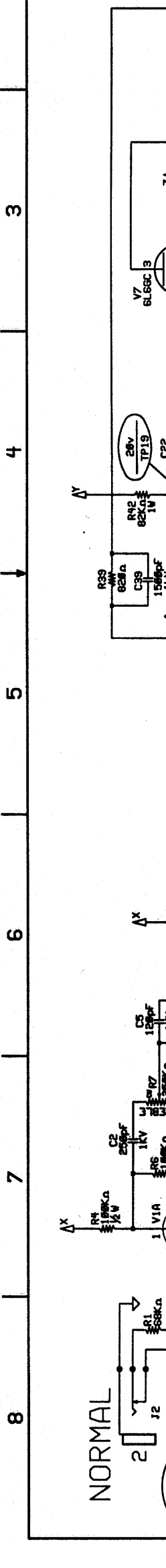


REVISIONS

REV.	DESCRIPTION	DATE	APPROVED
A	RELEASED PR186	88-MAR-91	
B	ECO L02271	88-JUL-91	
C	EC 784	11-SEP-91	
D	EC 1388 / ECO L02897	28-OCT-94	MDW
E	EC 1786	16-OCT-96	MDW



- NOTES:**
- 1.) V1, 2, 4, 5 ARE 12AX7A.
 - 2.) RESISTORS 1/4W CARBON FILM UNLESS OTHERWISE SPECIFIED.
 - 3.) 6-DIGIT NUMBERS ARE FENDER PART NUMBERS.
 - 4.) FUSE 4A SLO-BLO IN 180V AND 120V MODELS. T2R IN 230V AND 240V MODELS.
 - 5.) S2 INSTALLED IN 120V UNITS ONLY. DC VOLTAGES MEASURED WITH RESPECT TO GROUND USING A DVM OR AT LEAST 1MΩ AC INPUT IMPEDANCE AND 500Ω DC IMPEDANCE. VOLTAGE MAY VARY ±20% TEST CONDITIONS! BRIGHT SWITCHES, REVERB, AND VIBRATO OFF. ALL NORMAL CHANNEL CONTROLS AT FULL CCM. ALL VIBRATO CHANNEL CONTROLS AT 50% ROTATION. DC VOLTAGES MEASURED WITH NO SIGNAL PRESENT.
 - 6.) AC VOLTAGES MEASURED WITH AN OSCILLOSCOPE USING A X10 PROBE.
 - 7.) INSTANCES NOT USED: C29 CP5 CP6 CP32 CP36

