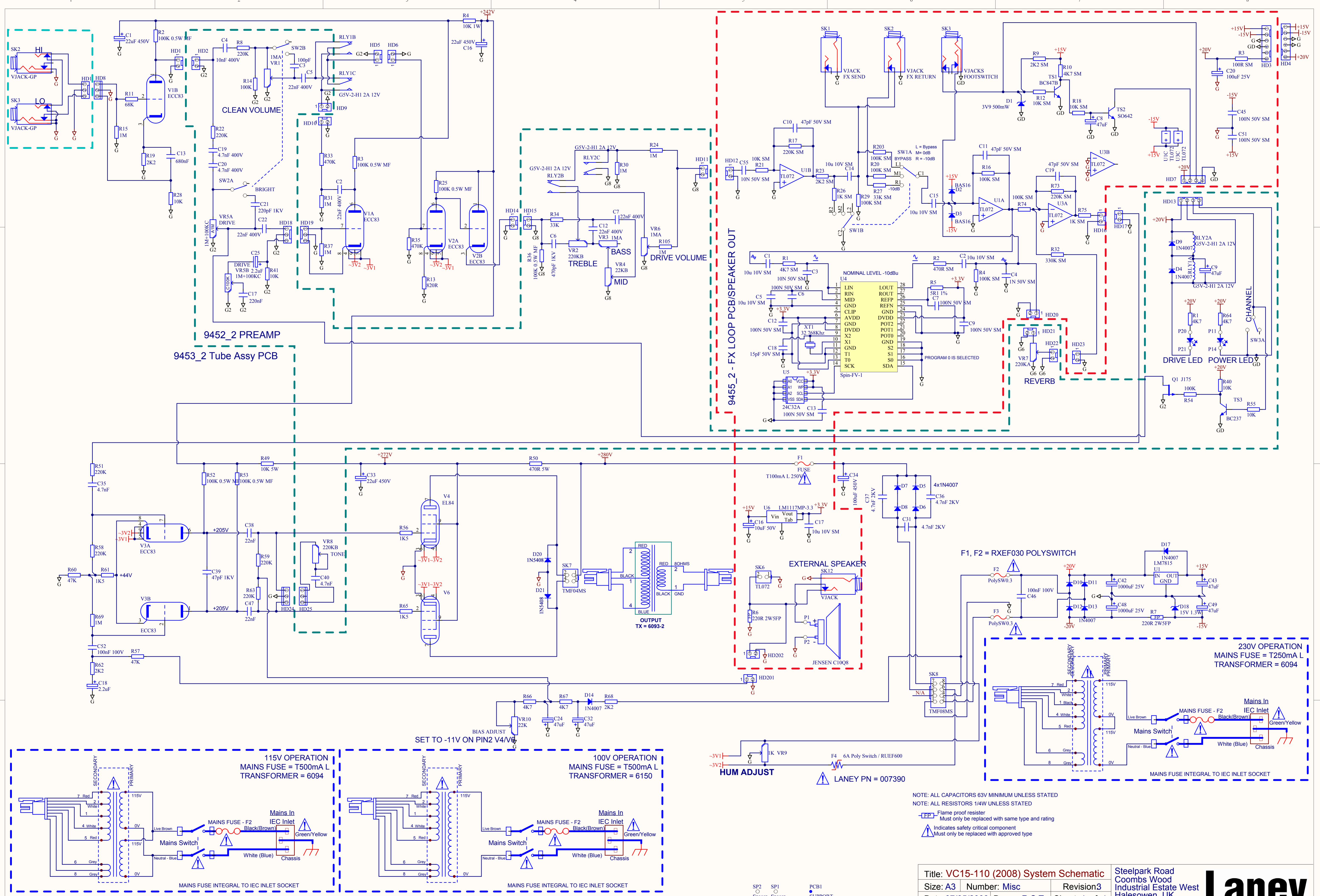


VC15-110 2009 MODEL

Service Information

Laney
POWER TO THE MUSIC
www.laney.co.uk



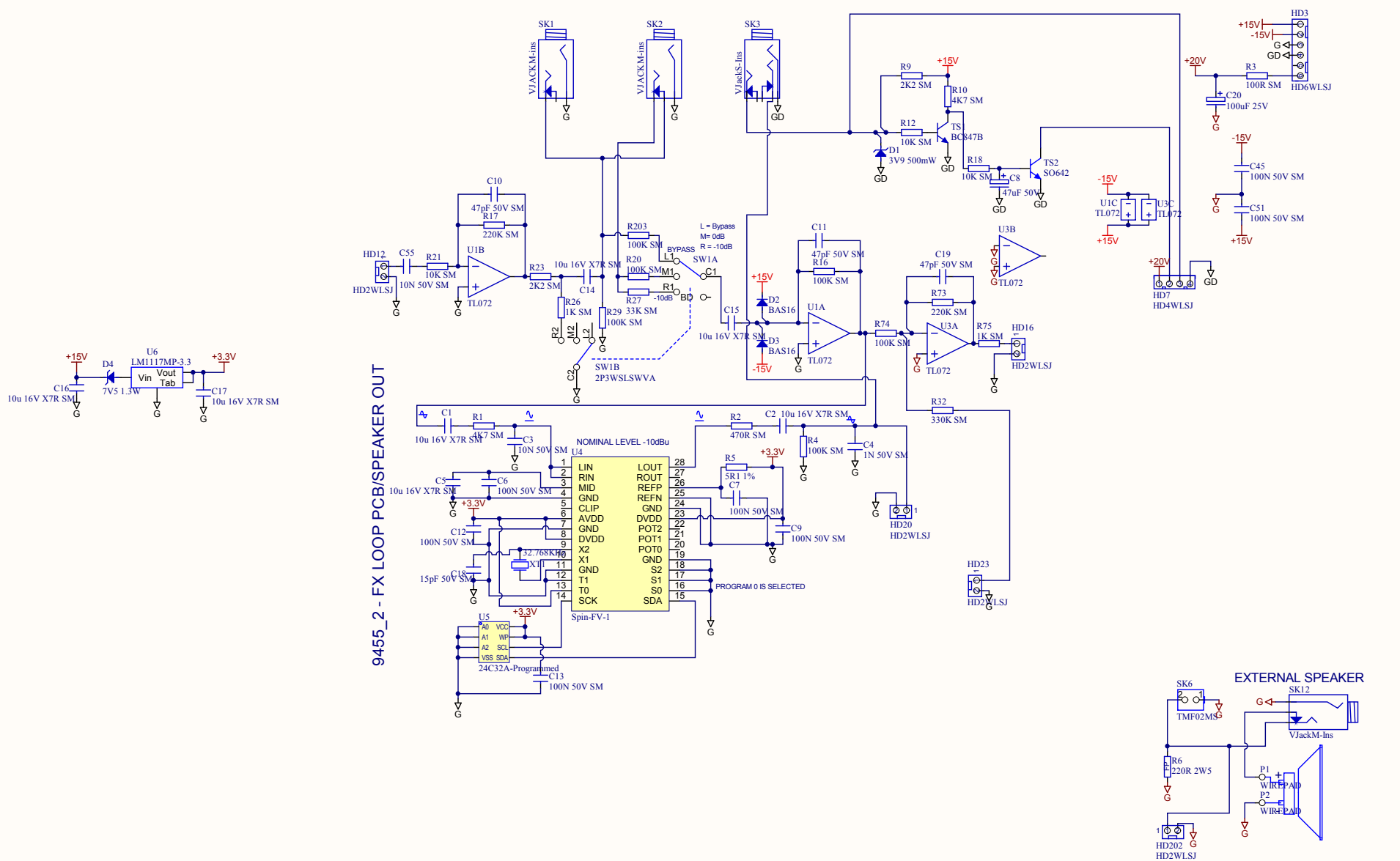
NOTE: ALL CAPACITORS 63V MINIMUM UNLESS STATED
 NOTE: ALL RESISTORS 1/4W UNLESS STATED
 Flame proof resistor
 Must only be replaced with same type and rating
 Indicates safety critical component
 Must only be replaced with approved type

Title: VC15-110 (2008) System Schematic
 Size: A3 Number: Misc Revision: 3
 Date: 07/05/2008 Drawn: R.S.T Sheet 1 of 1
 Original File: VC15-110(2008)-SYSTEM.SchDoc

Steelpark Road
 Coombs Wood
 Industrial Estate West
 Halesowen, UK
 B62 8HD
 www.laney.co.uk



SP2 SP1 PCB1
 Spacer Spacer SUPPORT



9455_2 - FX LOOP PCB/SPEAKER OUT

NOTE: ALL CAPACITORS 63V MINIMUM UNLESS STATED
 NOTE: ALL RESISTORS 1/4W UNLESS STATED

Flame proof resistor
 Must only be replaced with same type and rating

Indicates safety critical component
 Must only be replaced with approved type

| | | |
|---|----------------|-------------|
| Title: Digital Reverb + FX Loop/Speaker Out | | |
| Size: A3 | Number: 9455 | Revision: 3 |
| Date: 22/11/2010 | Time: 09:38:21 | Sheet of |
| Original File: 9455.SchDoc | | |

Steelpark Road
 Coombs Wood
 Industrial Estate West
 Halesowen
 UK
 www.laney.co.uk



VC15-110 (2014) SPARE PARTS LIST



Model No.
VC15-110 (2014)

| SPARES ITEM | | DESCRIPTION | PART No. |
|---------------------|--------------|---|----------|
| Transformers | | | |
| | 100V | 15W Tube 100V Mains Transformer | 006150 |
| | 115V | 15W Tube 115/230V Mains Transformer | 006094 |
| | 230V | 15W Tube 115/230V Mains Transformer | 006094 |
| | O/P | Output TX | 006225 |
| Switch | Power | 5A DPDT Rocker Switch | 530027 |
| Mains Inlet Socket | | IEC Fused | 005005 |
| Fuses | | | |
| | Mains | 230V T250mA Spiral wound 20mm | 005528 |
| | | 100-115V T500mA Spiral wound 20mm | 005566 |
| | HT | ALL T100mA Spiral wound 20mm | 005586 |
| PCBs | | | |
| | 9452 | VC15-110 (2008) Fascia Control PCB | 007590 |
| | VR1 | Clean Vol 1M Log 6mm Spline | 004070 |
| | | Bracket | 005127 |
| | VR2 | Treble 220K Lin 6mm Spline | 004065 |
| | VR3 | Bass 1M Log 6mm Spline | 004070 |
| | VR4 | Mid 22K Lin 6mm Spline | 004061 |
| | VR5 | Drive Split 1M / 100K Antilog Dual 6mm Spline | 004116 |
| | VR6 | Drive Vol 1M Log 6mm Spline | 004070 |
| | VR7 | Reverb 220K Log 6mm Spline | 004078 |
| | VR8 | Tone 220K Lin 6mm Spline | 004065 |
| | | Bracket | 005127 |
| | Switch | Drive/Bright 2P2W Push Switch | 005017 |
| | Relay | Relay G5V-2-H1-2A 12V | 007205 |
| | 9453 | VC15-110 (2008) Tube PCB | 007599 |
| | Resistor | 10K 5W Resistor | 001714 |
| | | 470R 5W Resistor | 001700 |
| | Capacitor | 22uF 450V Capacitor | 007204 |
| | | 100uF 450V Capacitor | 002032 |
| | Poly Switch | 0.3A Poly Switch | 007603 |
| | | 6.0A Poly Switch | 007390 |
| | | 20mm Horizontal Fuse Carrier PCB Mount | 007532 |
| | | VT9 Valve Base PCB Mount | 007531 |
| | 9455 | VC15-110 (2008) FX Loop/Spk Out + Digital Reverb | 007593 |
| | Socket | Fx S & R 6.3 Vert Phone Jack Mono Gold Plated - Insul. Body | 007374 |
| | | Ext. Spk. 6.3 Vert Phone Jack Mono - Insulated Body | 007527 |
| | | F/Switch 6.3 Vert Phone Jack Stereo - Insulated Body | 007528 |
| | Switch | 2P3W Switch | 007529 |
| | 9445 | Dual Input Jack PCB | 007511 |
| | | 6.3mm Vertical Phone Jack Socket (Mono, chassis gnd'ing) | 005309 |
| Tubes | | | |
| | V4, V5 | EL84 Matched Set | 005563 |
| | V1 | ECC83 Hi-Grade | 005570 |
| | V2, V3 | ECC83 STD | 005550 |
| Cabinet | | | |
| | Badge | Diecast Laney Badge (Std Font)116mm | 007474 |
| | Fascia Panel | VC15-110 (2009) - S/Steel Fascia Panel | 007600 |
| | Control Knob | 28mm Chicken Head | 007533 |
| | Handle | Leather Strap Handle | 10101 |
| | | Small Handle Clip with Vent. Drg Ref: 3985 | 007558 |
| | Loudspeaker | 10" Woofer H1050 8 Ohm | 008507 |
| | | Speaker Jack Lead - Chrome Jack>4.8mm Termials | 010112 |
| | Mains Lead | Country Dependant | |
| | Foot Switch | Foot Switch | FS2 |
| | Corner | Front Stainless Steel - Hooked | 10049 |
| | | Back Stainless Steel - Non Hooked | 10048 |
| | Rear Grille | VC15-110 (2009) - Rear Grille. Drg Ref: 4092 | 007601 |
| | Feet | 38x15mm Rubber Foot with Steel Insert | 007473 |
| | Cabinet | VC15-110 (2009) - Covered Cab + Baffle (offset Spk) NO Fittings | 007602 |
| | Manual | VC15-110 (2008) User Manual (Download) | |