

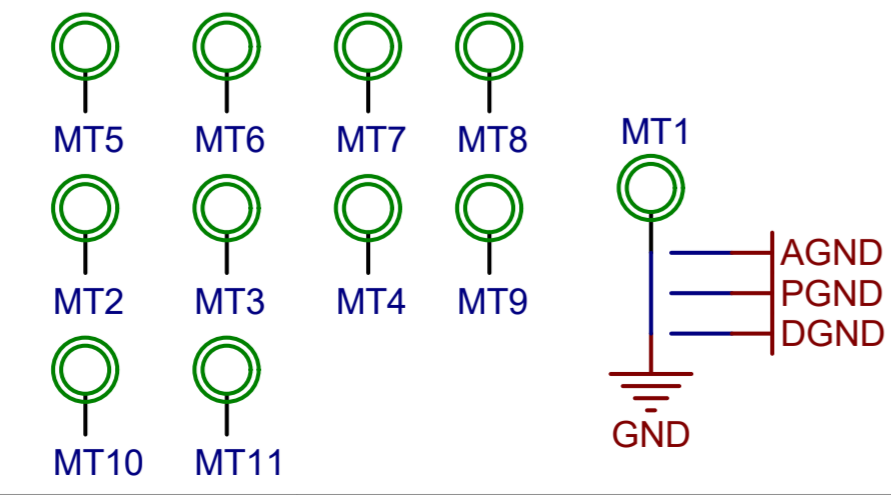
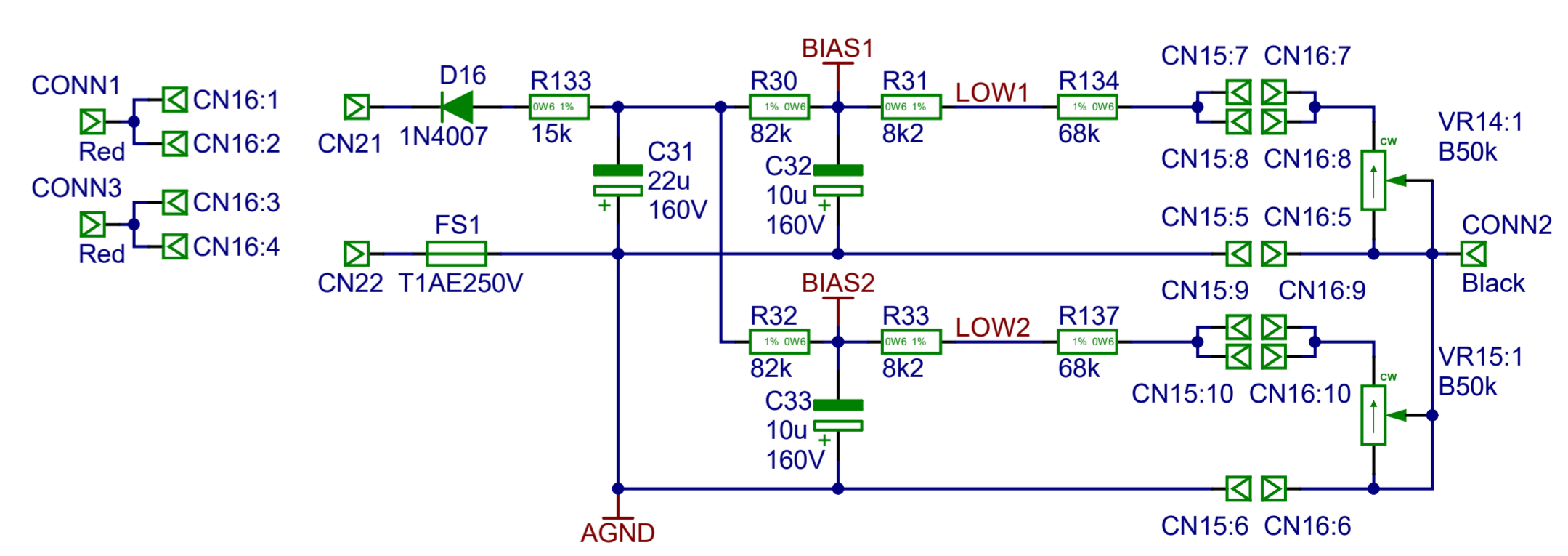
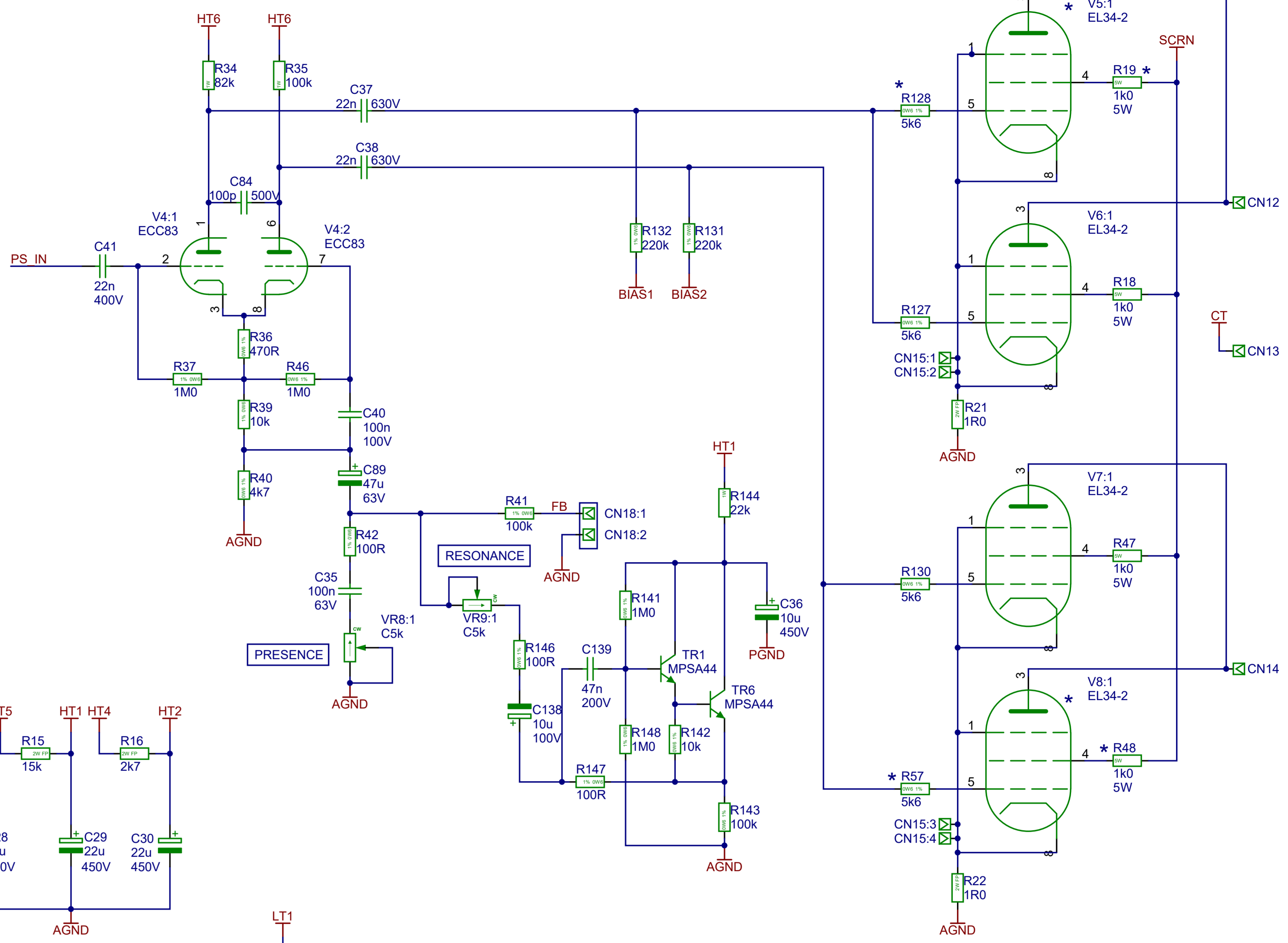
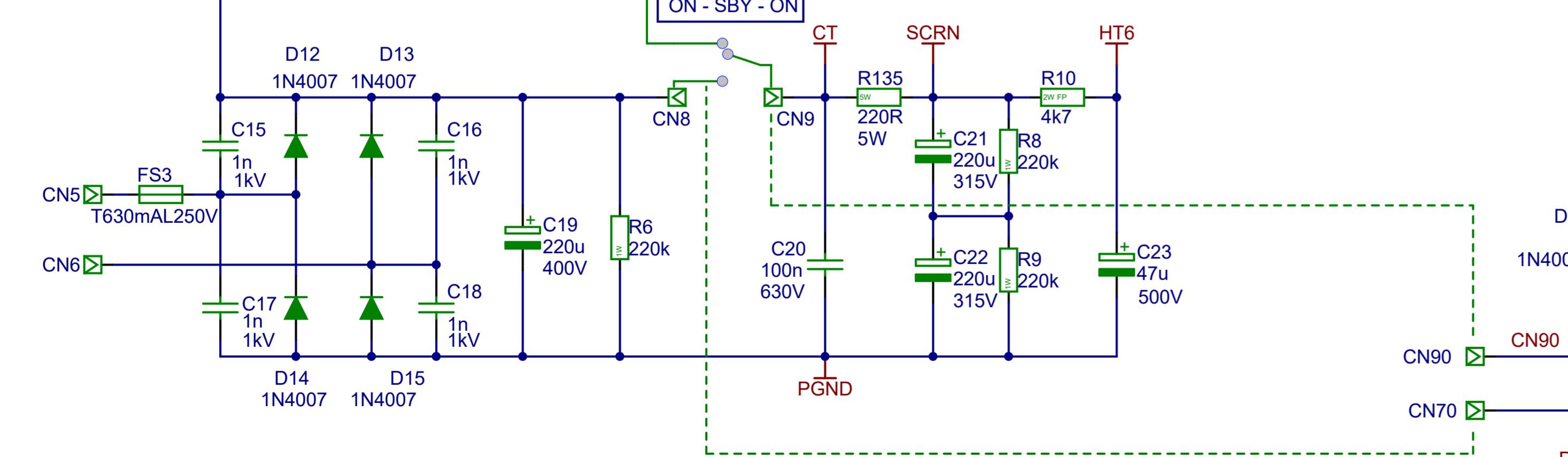
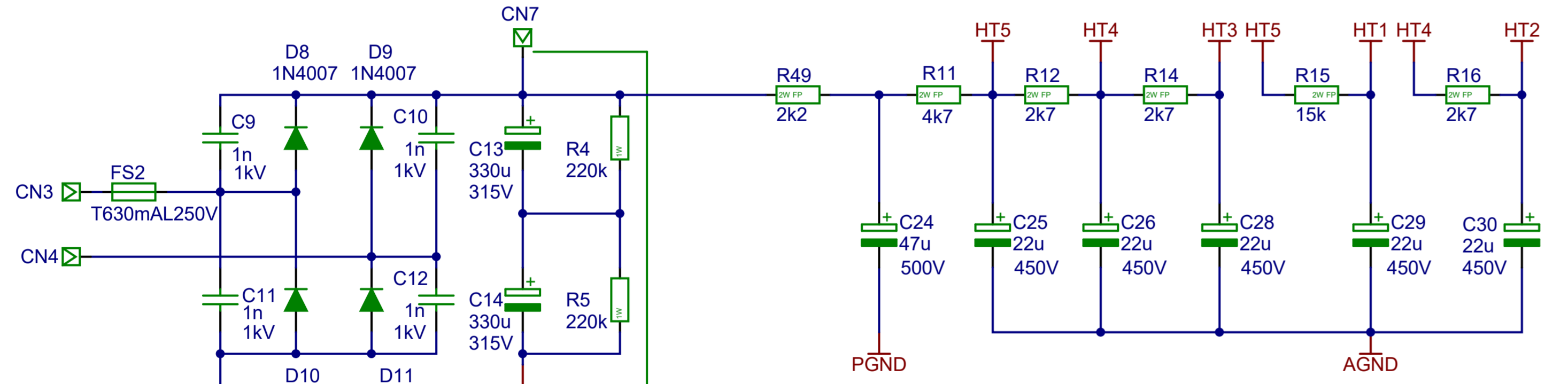
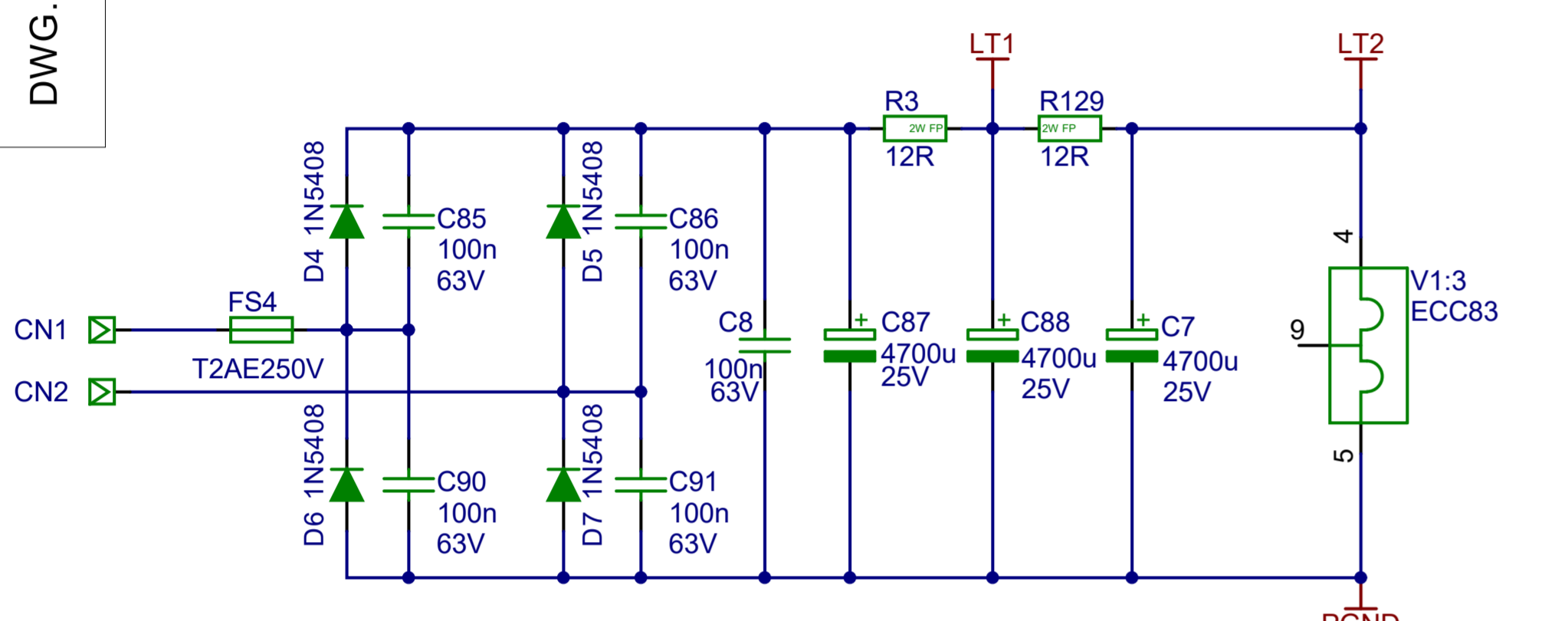
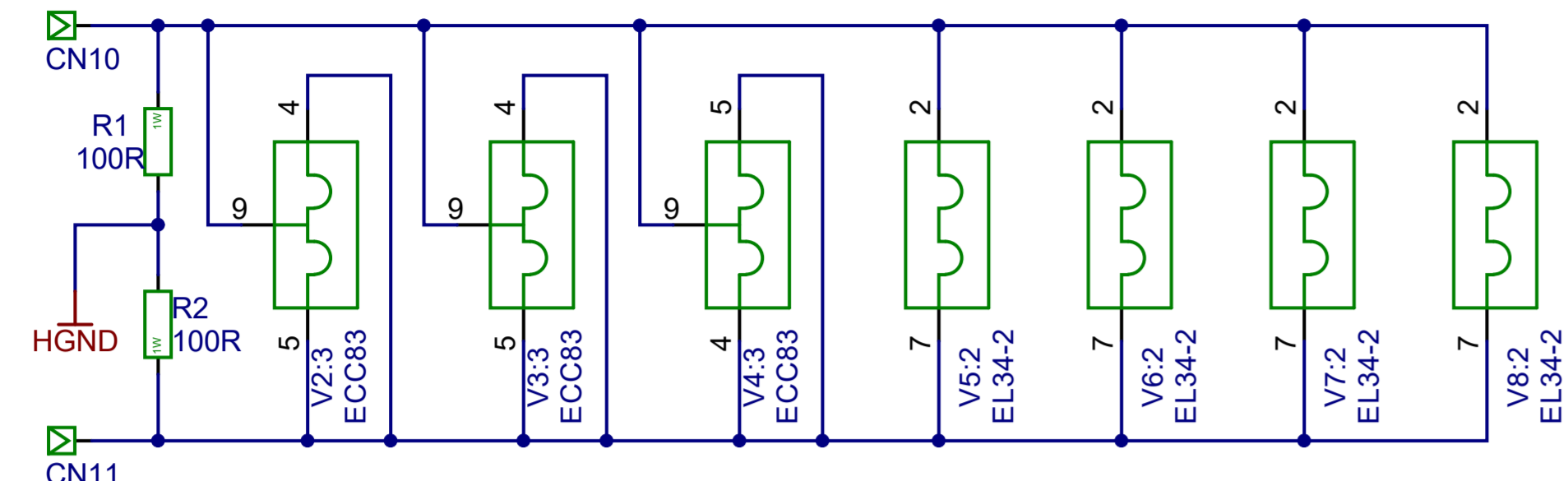
DSL100M2-60-02

DWG. No.

B

C

D



MATERIAL	
MATERIAL THICKNESS	
DRAWN AC / PS	DATE 16.03.2016
CHECKED	DATE
APPROVED ?	DATE ?

DIMENSIONS IN mm	
TOLERANCE (UNLESS OTHERWISE STATED)	
HOLE DIA = +/-	
DIMENSIONAL = +/-	
MODEL	
DSL40/100 MK2	

Cannot open file C:\altium files\Templates\logo.JPG

© MARSHALL AMPLIFICATION PLC
DENBIGH ROAD, BLETCHLEY, MILTON KEYNES, MK1 1DQ.
TEL (01908) 375411 FAX (01908) 376118

File: DSL100M2-60-02-V5 Page2.SchDoc

TITLE		
DSL40/100 MK2 Main PCB		
DWG. No.	ISS	Sheet
DSL100M2-60-02	5	2 of 2
Date: 29/11/2016		

* = NOT FITTED ON 40W