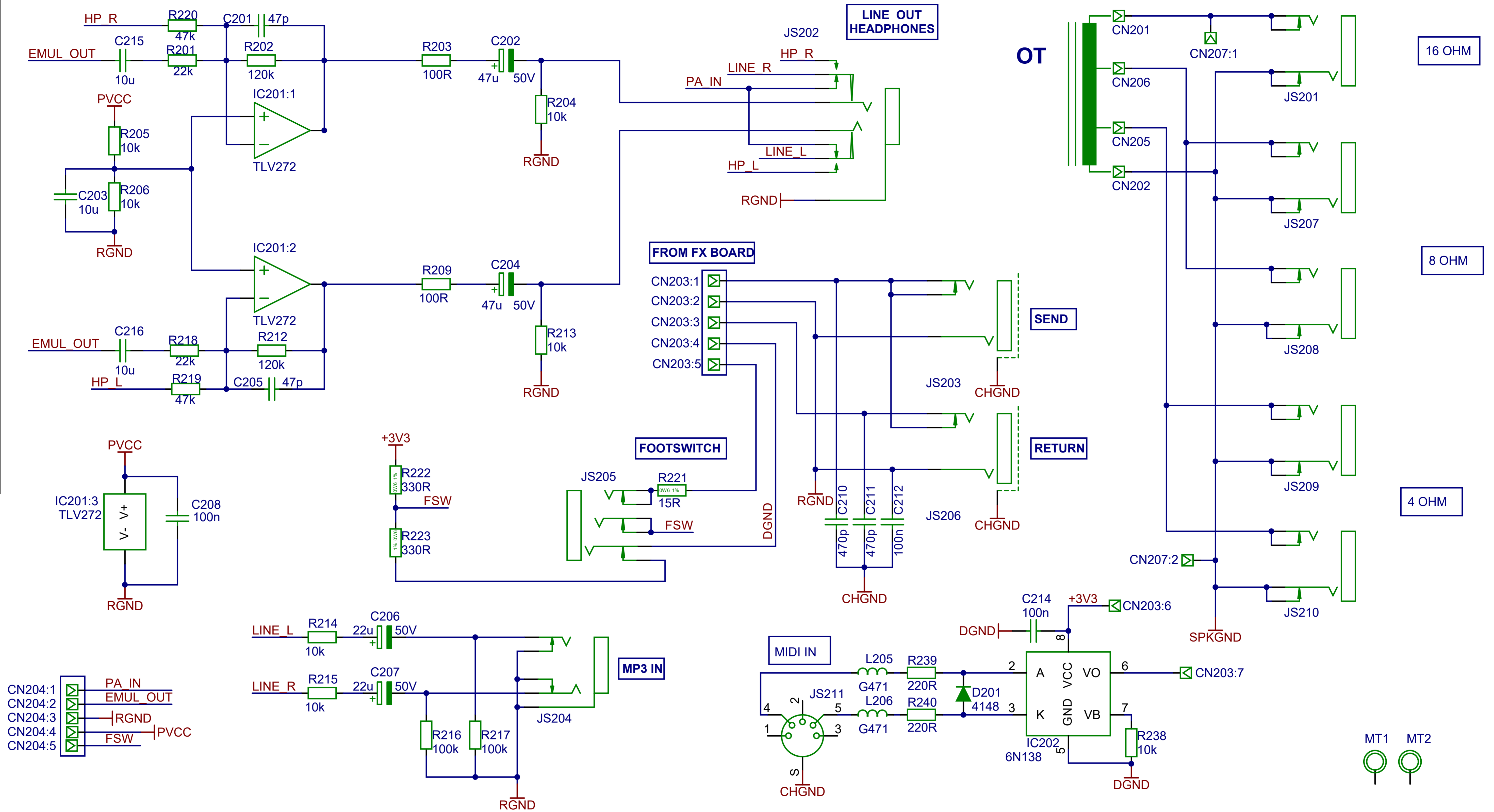


DWG. No. DSL100M2-61-02



- CN204:1 PA IN
- CN204:2 EMUL OUT
- CN204:3 RGND
- CN204:4 FSW
- CN204:5 PVCC

		MATERIAL		DIMENSIONS IN mm	
		MATERIAL THICKNESS		TOLERANCE (UNLESS OTHERWISE STATED)	
				HOLE DIA = +/-	
				DIMENSIONAL = +/-	
4	Sch/PCB Update ACS	13-09-16	DRAWN A.C.S.	DATE 02.09.2016	
3	Sch/PCB Update P.G.S	18-07-16	CHECKED PGS	DATE 18-07-16	
ISS	ECO NUMBER	DATE	APPROVED	DATE	

MODEL
DSL 40/100 MK2



© MARSHALL AMPLIFICATION PLC
DENBIGH ROAD, BLETCHLEY, MILTON KEYNES, MK1 1DQ.
TEL (01908) 375411 FAX (01908) 376118

TITLE
DSL 40/100 MK2 Rear PCB

DWG. No. **DSL100M2-61-02**

ISS 4	Sheet 1 of 1
-----------------	-----------------

File: DSL100M2-61-02-V4.SchDoc

Date: 15/11/2016