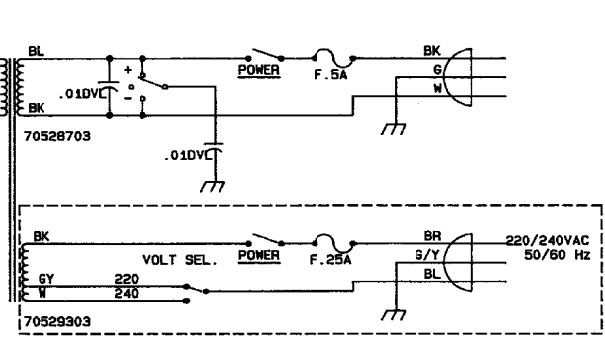
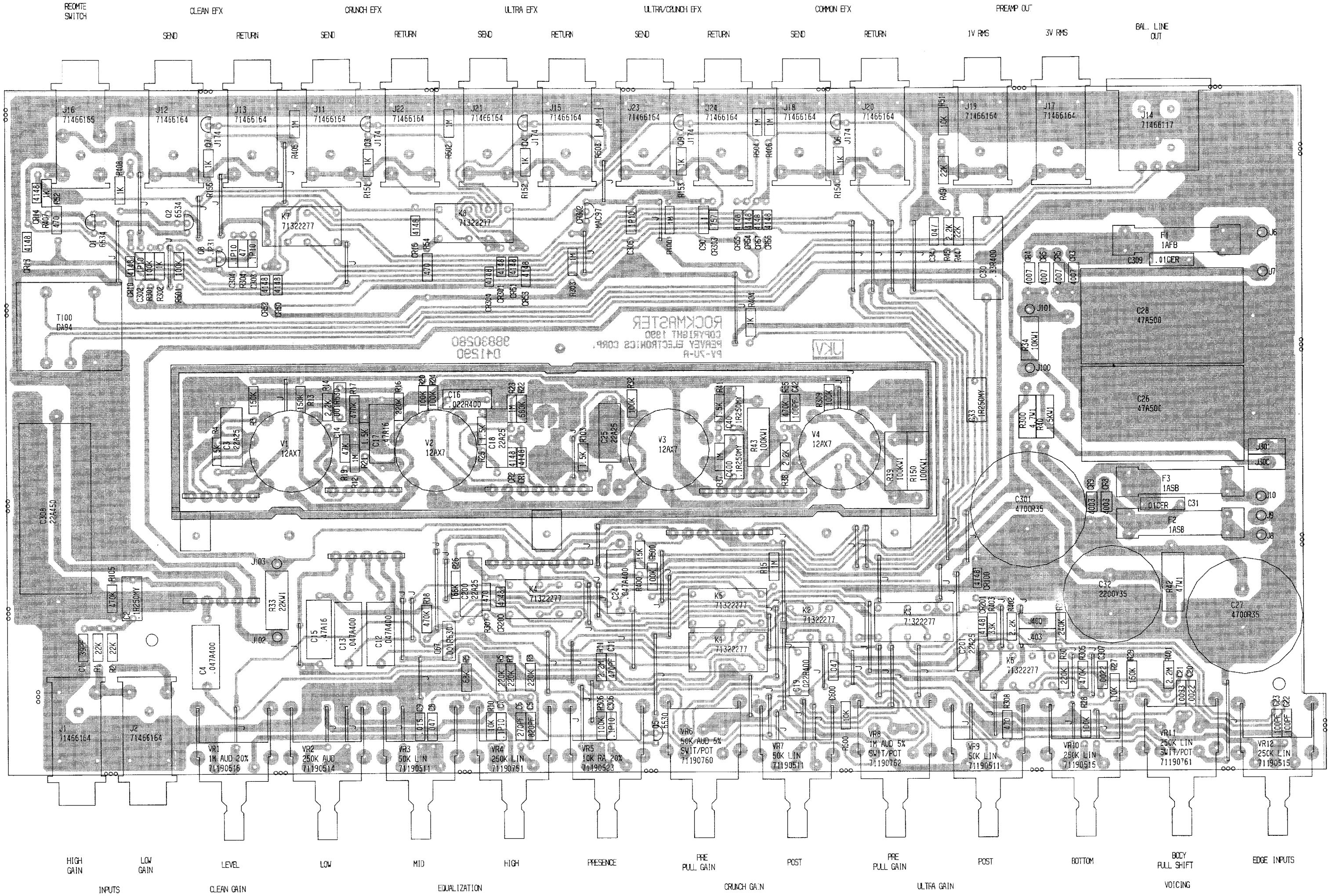


NOTES:  
 ALL RESISTORS 1/4W UNLESS NOTED  
 ALL RESISTORS IN OHMS UNLESS NOTED  
 ALL POTS ARE LINEAR UNLESS NOTED  
 ALL CAPACITORS IN MFD UNLESS NOTED  
 ALL DIODES 1N4148 UNLESS NOTED  
 VOLTAGES MAY VARY FROM UNIT TO UNIT  
 BUILT UNDER U.S. PATENT NO. 4,890,331



ROCKMASTER®  
 BD. #98830281

|   |             |
|---|-------------|
| PEAVEY ELECTRONICS CORP.<br>711 A ST.<br>MERIDIAN, MS |             |
| DRAWN BY <i>JRL</i>                                   | DATE 2-1-91 |
| C.B. CK. <i>JRL</i>                                   |             |
| CK. BY <i>[Signature]</i>                             |             |
| APPR. BY <i>[Signature]</i>                           |             |



REOMTE SWITCH

CLEAN EFX

CRUNCH EFX

ULTRA EFX

ULTRA/CRUNCH EFX

COMMON EFX

PREAMP OUT

SEND

RETURN

SEND

RETURN

SEND

RETURN

SEND

RETURN

SEND

RETURN

1V RMS

3V RMS

BAL. LINE OUT

ROCKMASTER  
COPYRIGHT 1990  
PERVEY ELECTRONICS CORP.  
PA-2U-R  
041580

HIGH GAIN

LOW GAIN

LEVEL

LOW

MID

HIGH

PRESENCE

PRE PULL GAIN

POST

PRE PULL GAIN

POST

BOTTOM

BODY FULL SHIFT

EDGE INPUTS

INPUTS

CLEAN GAIN

EQUALIZATION

CRUNCH GAIN

ULTRA GAIN

VOICING